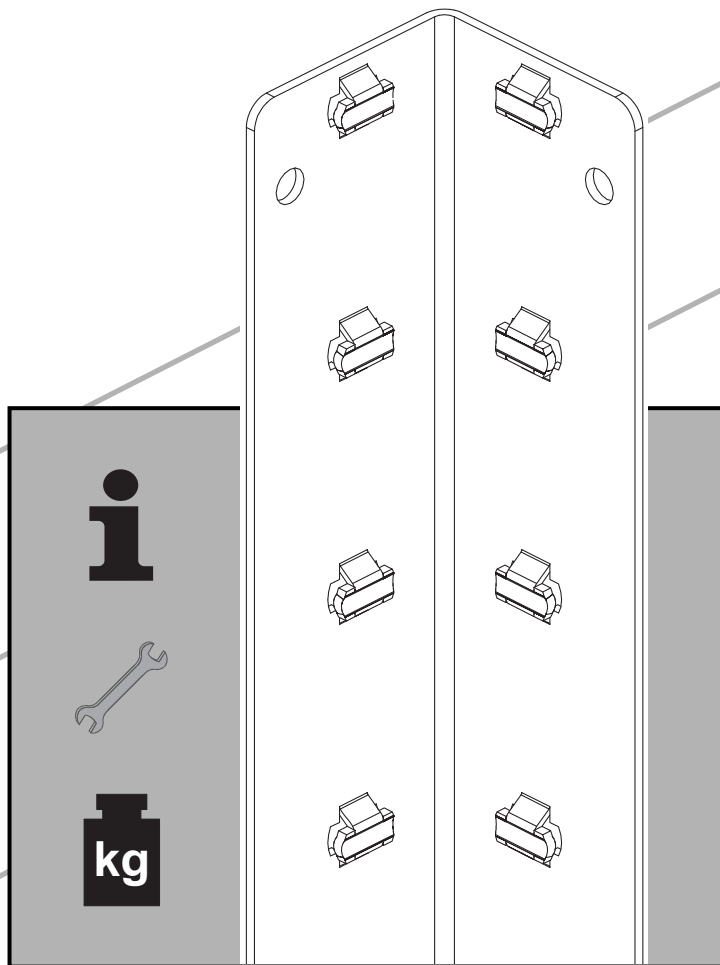
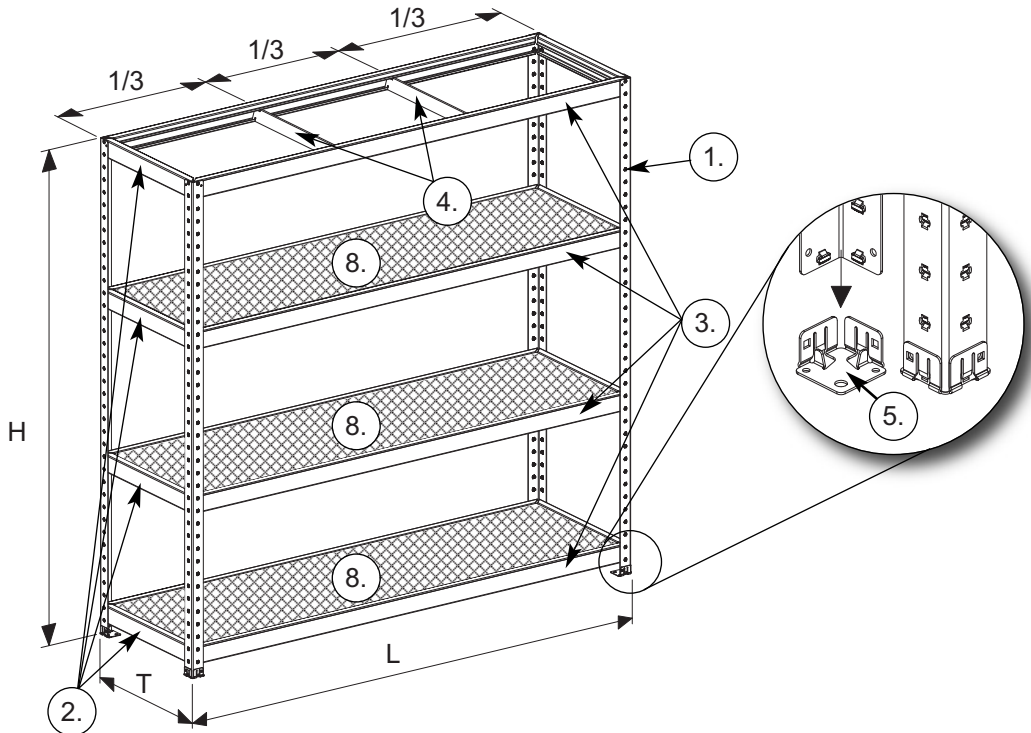


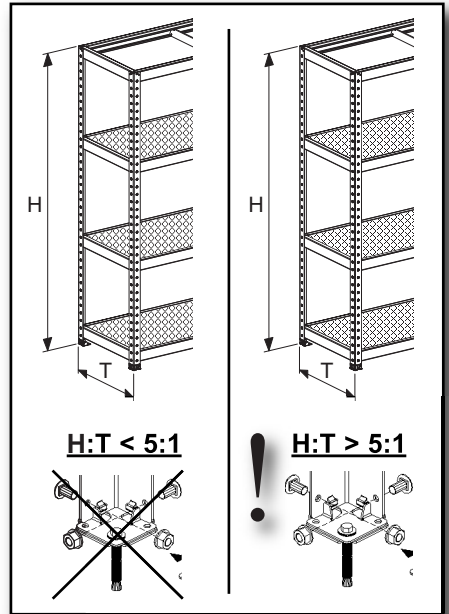
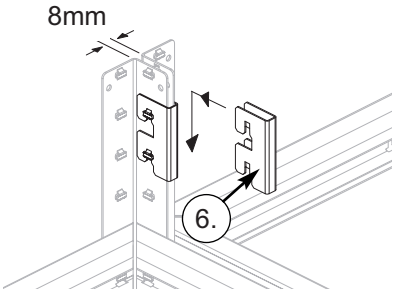
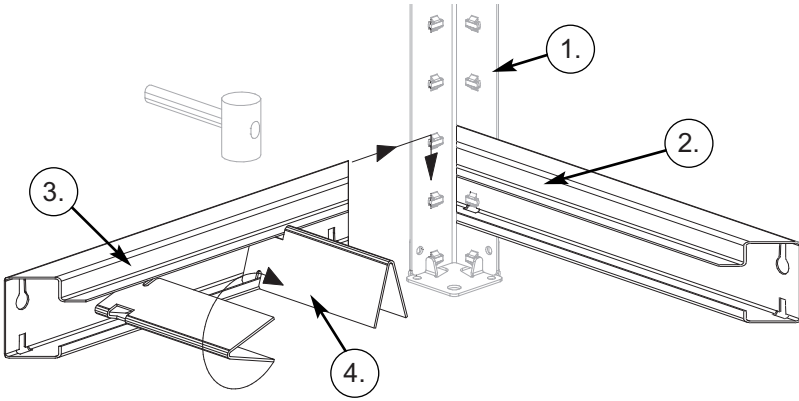
# META-SPEED-RACK



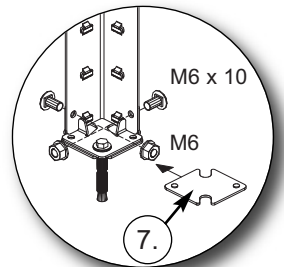
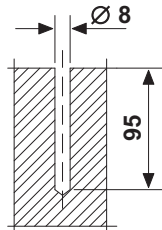
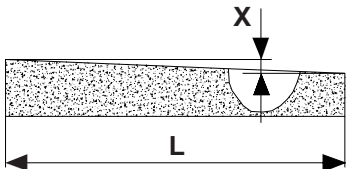
Stand 02.2013




1.		H = 1970 / 2470 / 2970
2.		T = 400 / 600 / 800
3.		L = 1700 / 2000 / 2500
4.		T = 400 / 600 / 800
5.		
6.		
7.		
8.		L = 1700 / 2000 / 2500 T = 400 / 600 / 800

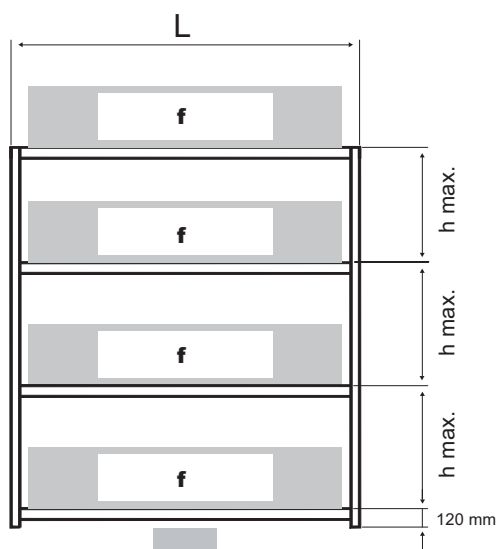




DIN 18202	
L m	X mm
< 1,0	max. 4
> 1,0 - 4,0	max. 10
> 4,0 - 10,0	max. 12
> 10,0 - 15,0	max. 15



	 kg	 kg	
L (mm)	f (kg)	Q max (kg)	h max. (mm)
1700 2000	500	1500	1450
		2000	950
		2500	750
		3000	600
2500	400	1200	1450
		1600	950
		2000	750
		2400	600
		2800	500



$$Q_{\max.} = f + f + f + f$$