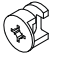




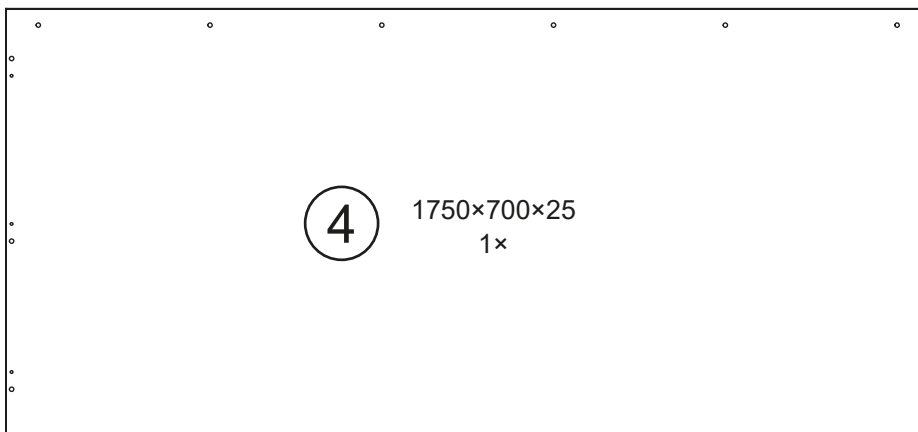
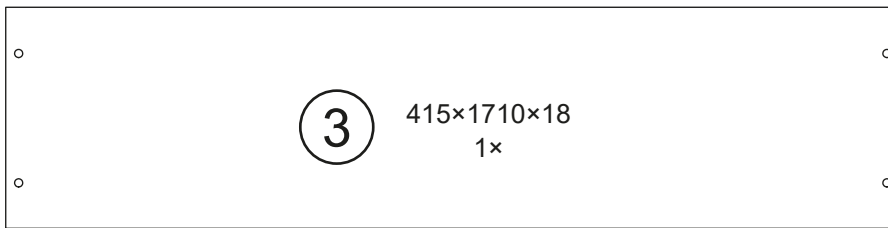
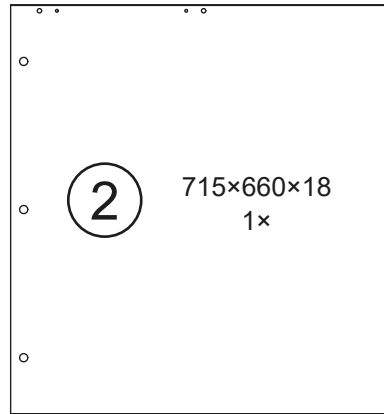
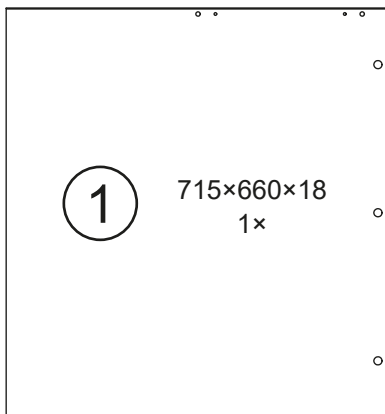
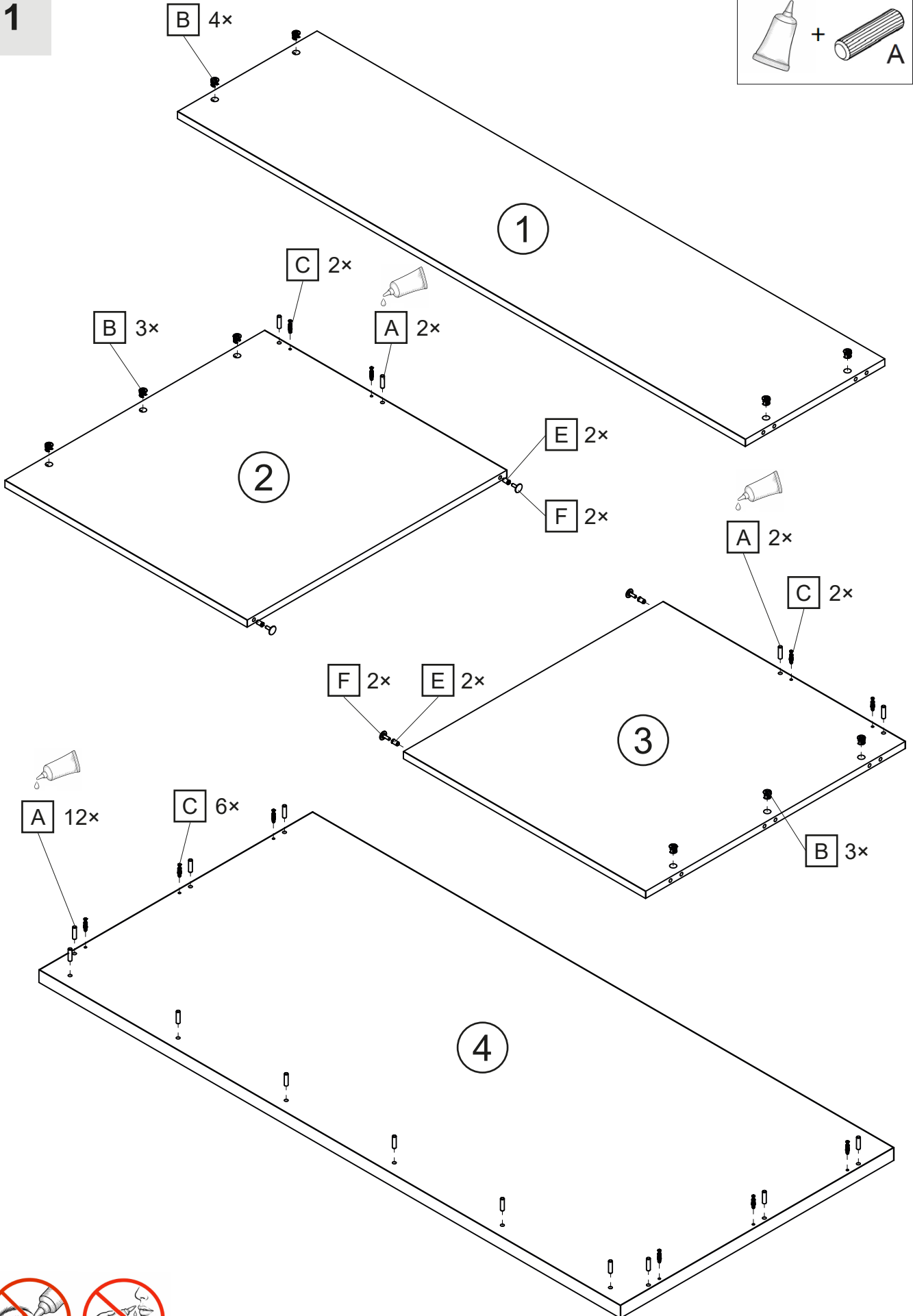
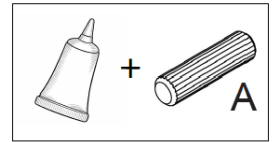
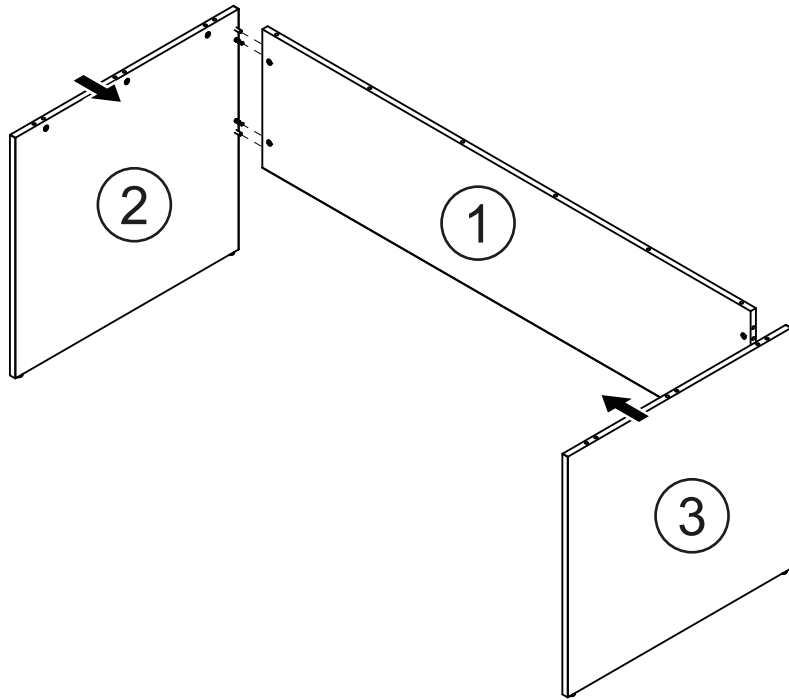
 Ø8 x 35		 Ø8 x 24			
A 16x	B 10x	C 10x	D 10x	E 4x	F 4x



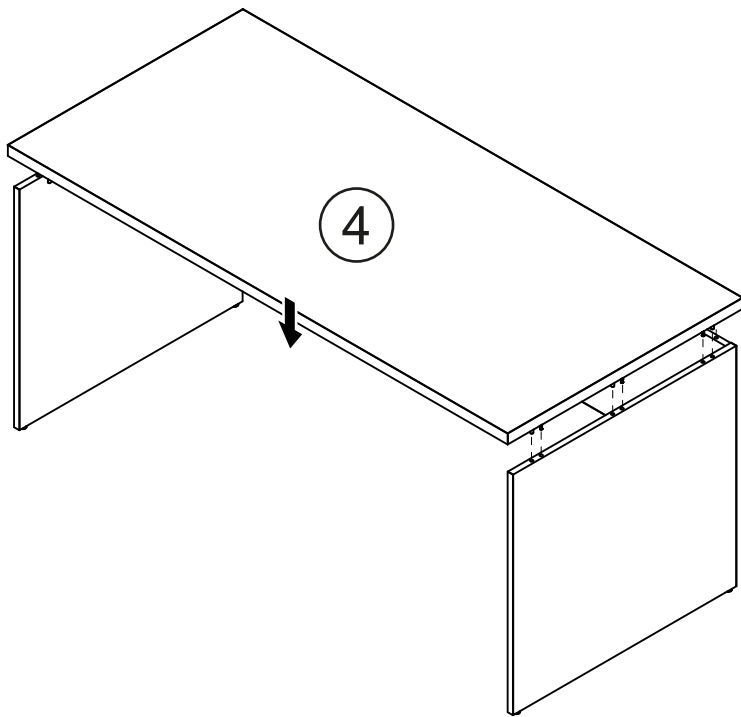
1



2



3



4

