











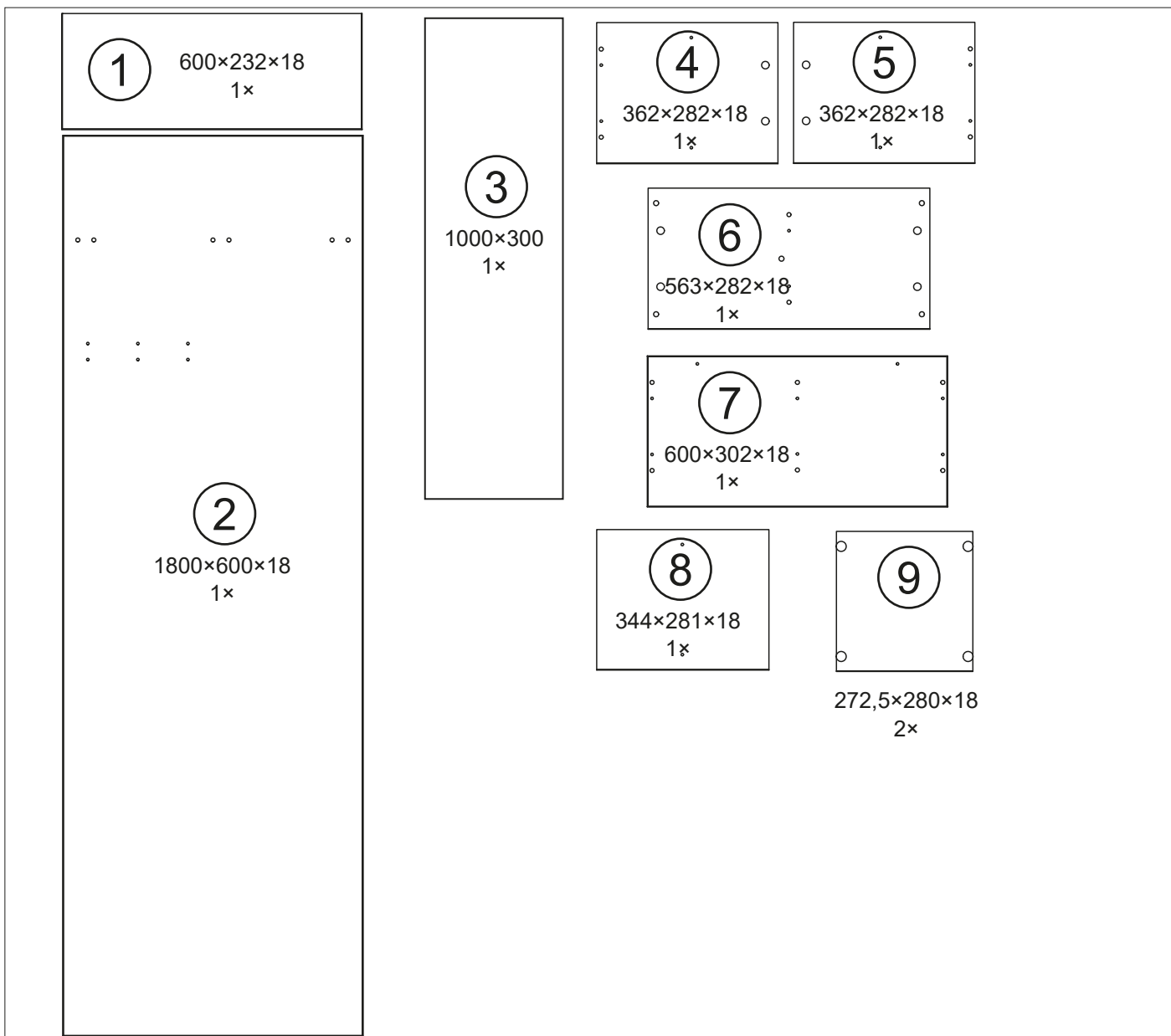
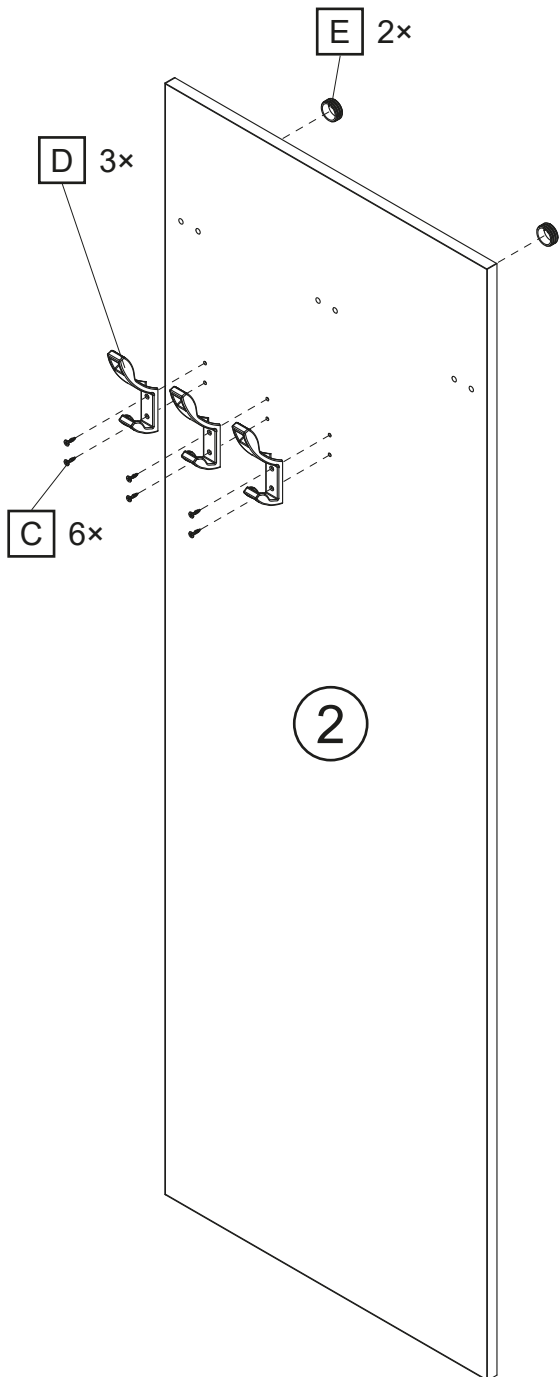
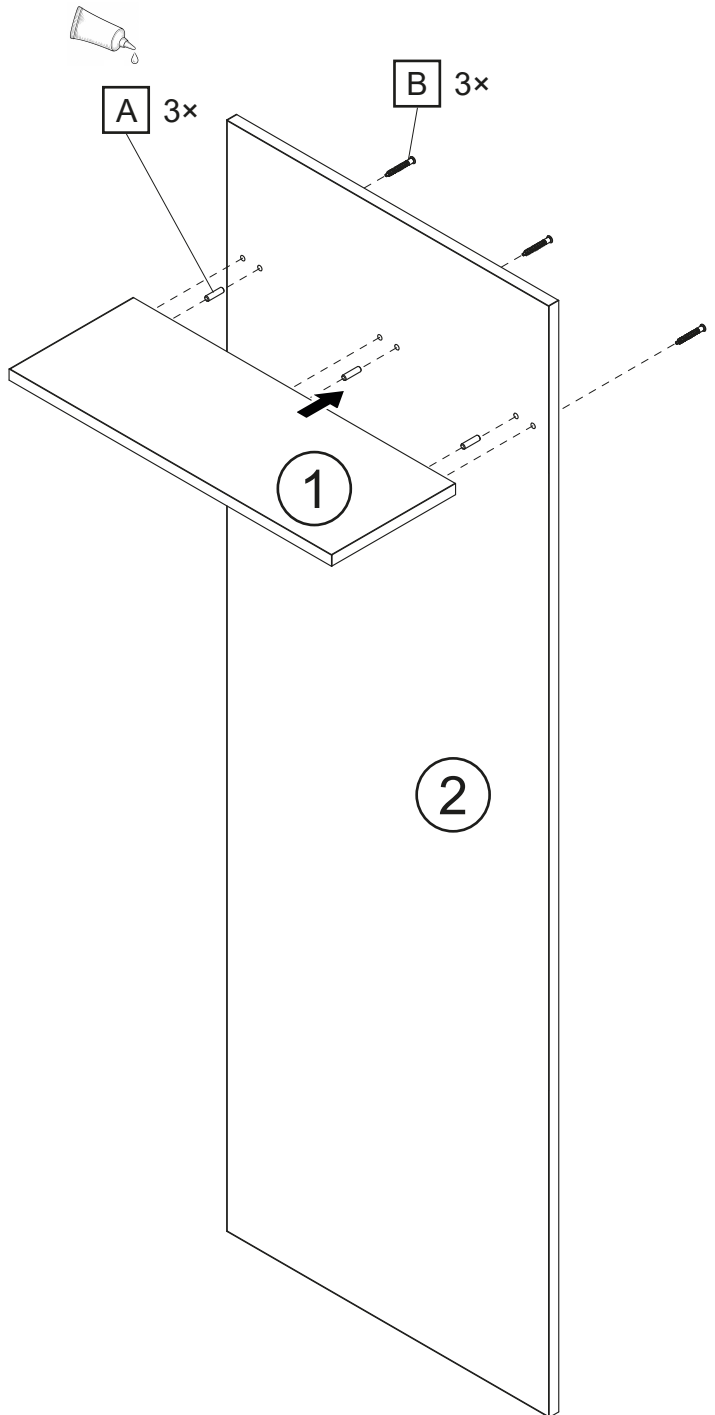
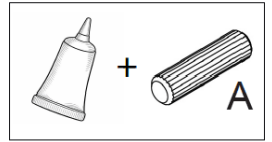
 Ø8 x 35		 Ø3,5 x 16					 Ø8 x 24
A 17x	B 3x	C 12x	D 3x	E 2x	F 2x	G 14x	H 14x
							
I 14x	J 8x	K 8x	L 2x	M 5x			



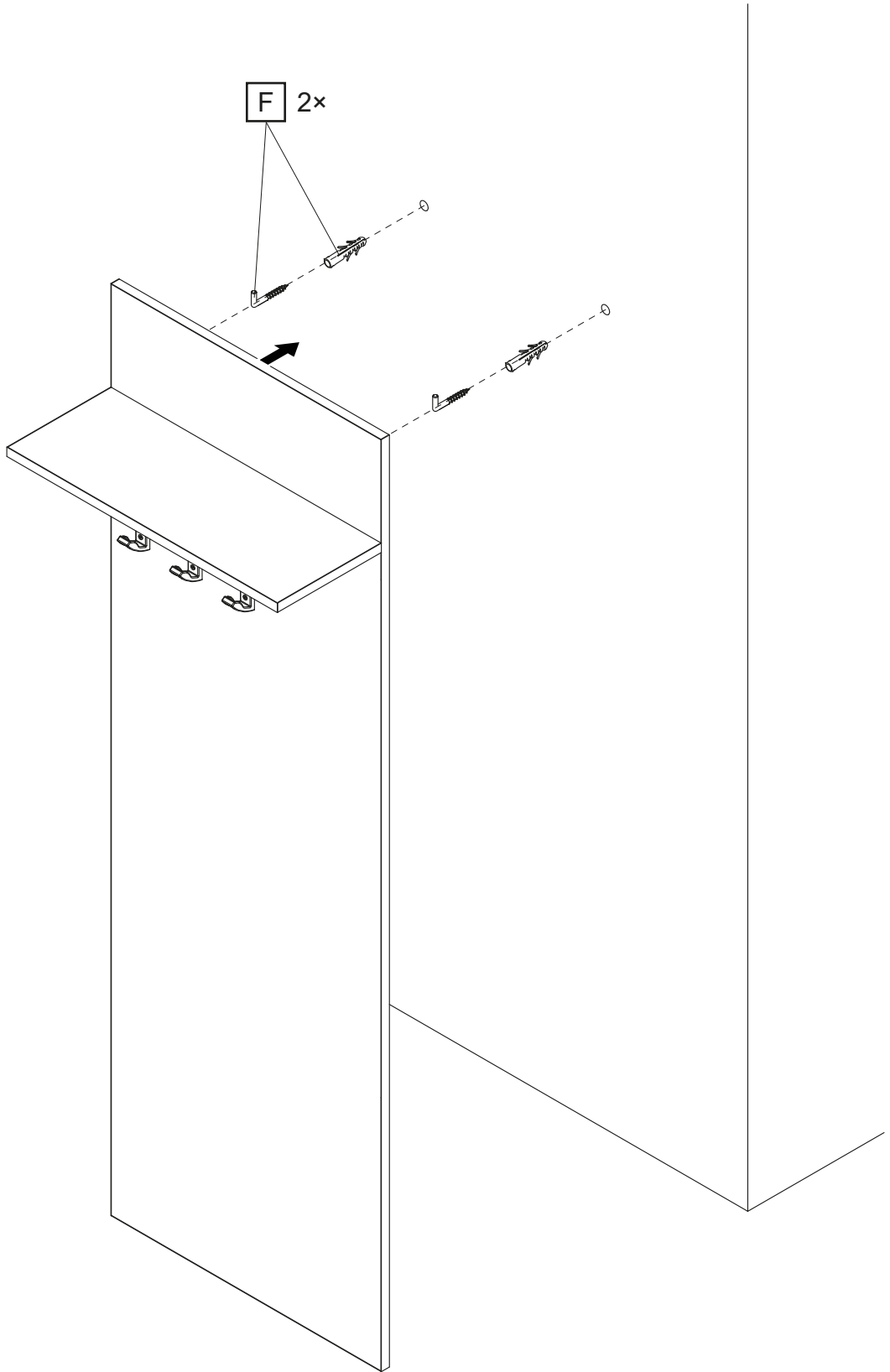
1

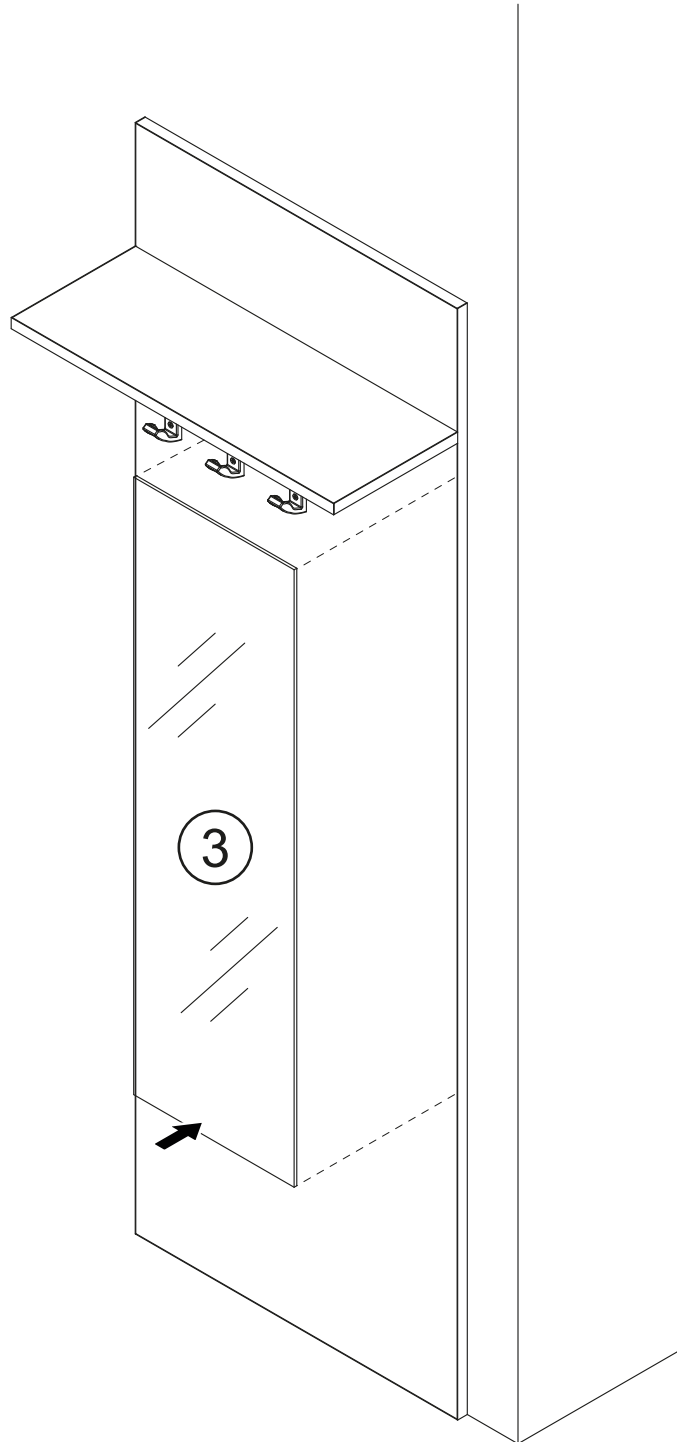


2

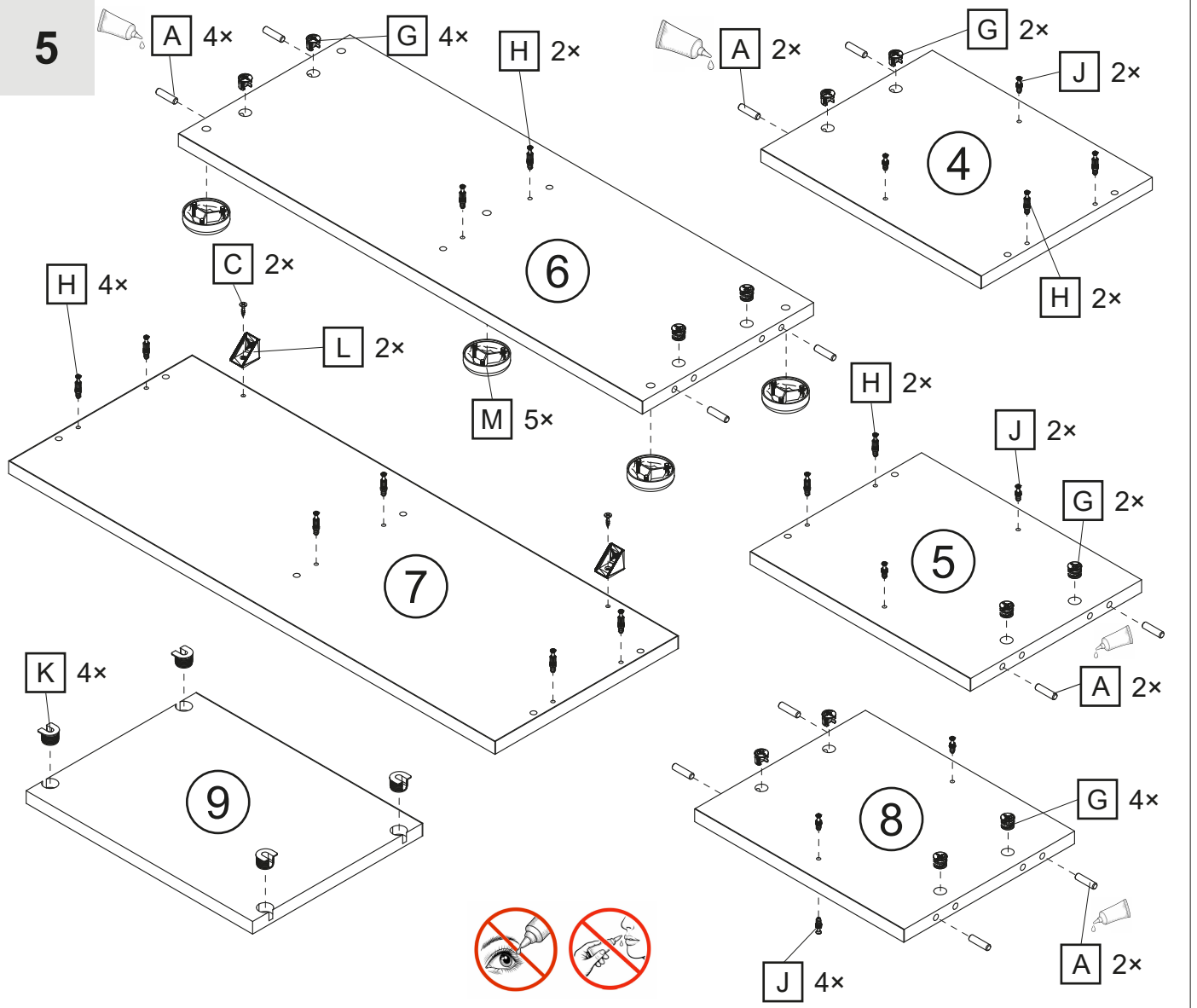


3

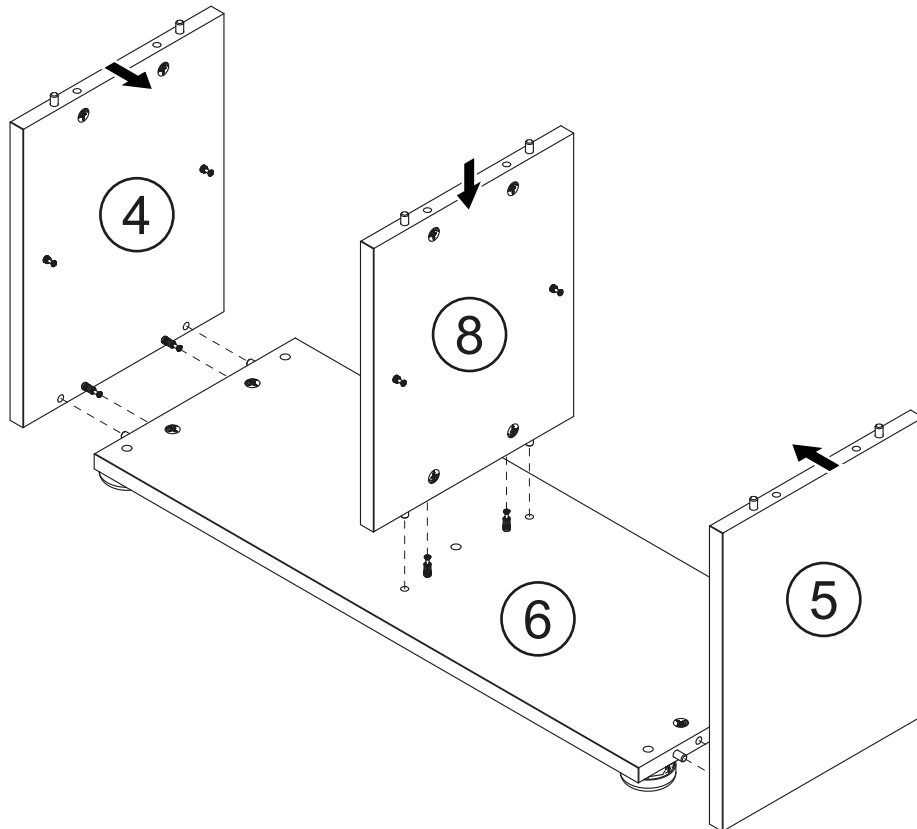




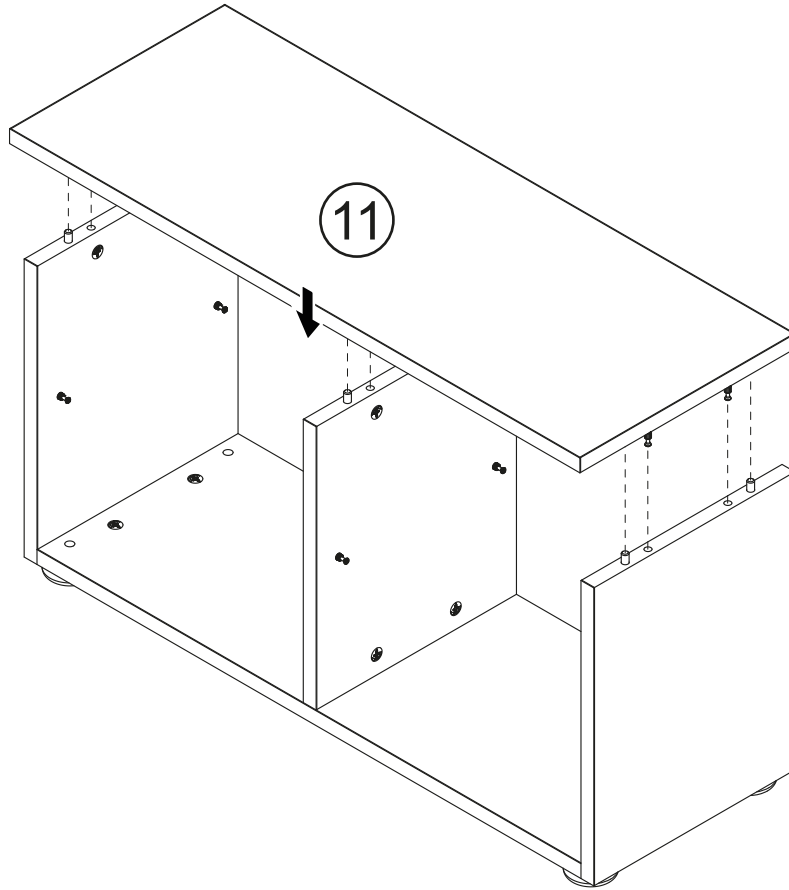
5



6



7



8

