







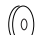
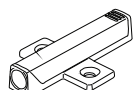
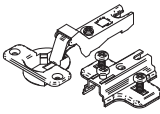

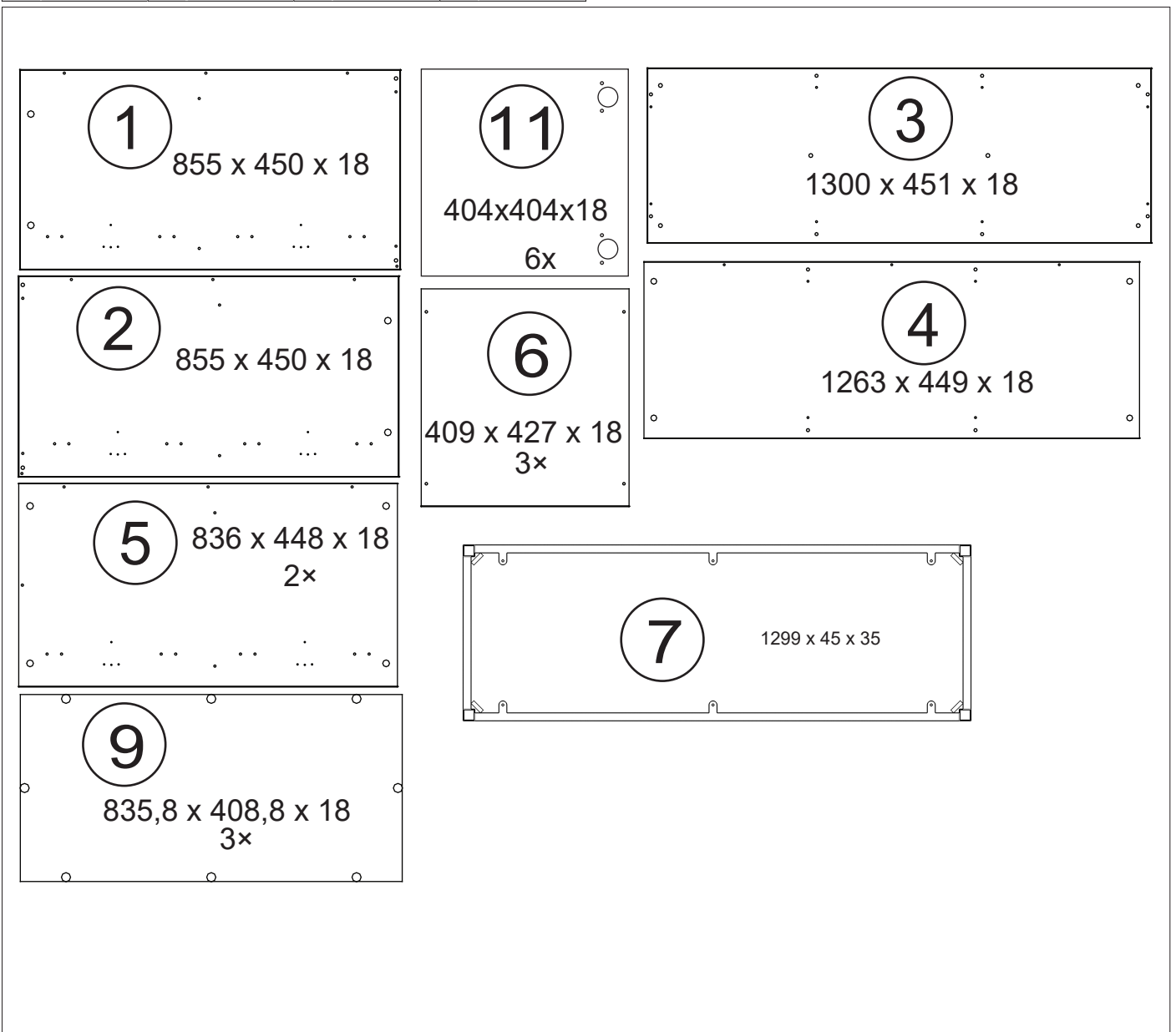
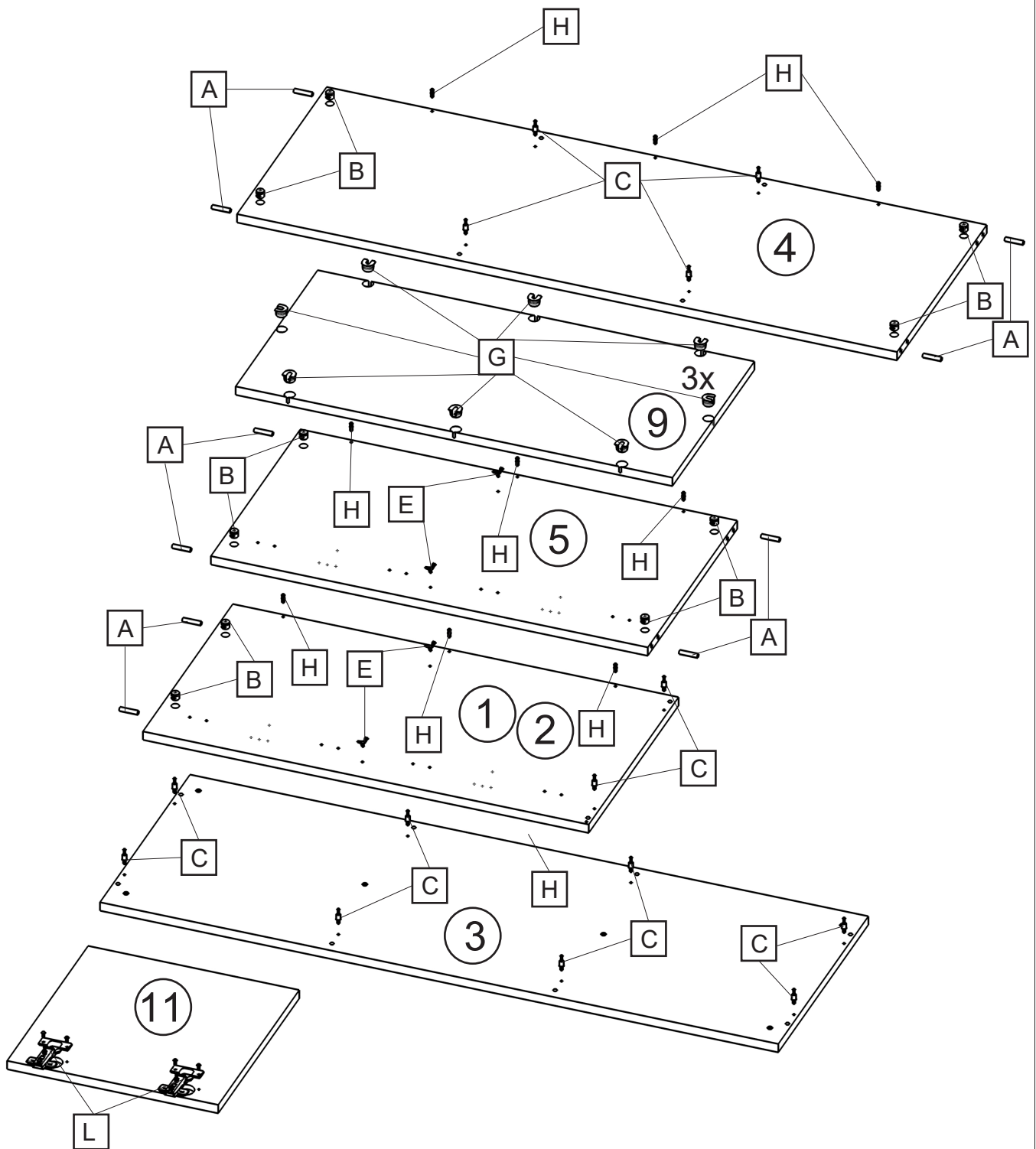
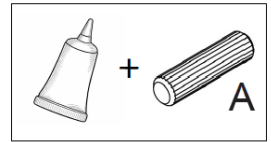


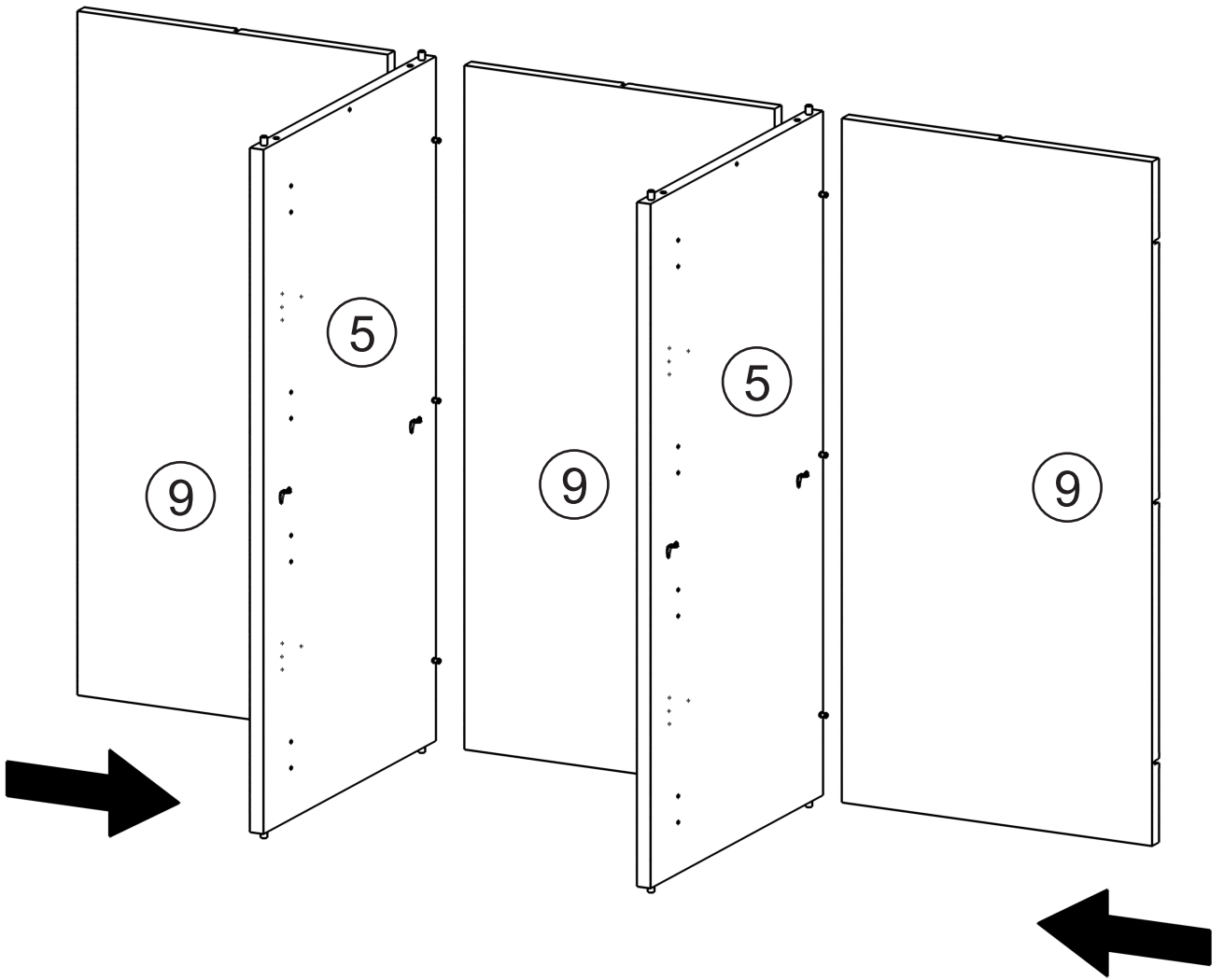
|  |   |  |  |   |   |   |   |
|--|---|--|--|---|---|---|---|
| <br>Ø8 x 35 |  | <br>Ø8 x 24 |               |  | <br>3.5x16 |  |  |
| A 16x  | B 16x   | C 16x  | D 16x  | E 12x   | N 6x  | G 24x   | H 24x   |
|             |  |             | <br>Ø3,5 x 16 |   |   |   |   |
| J 6x   | K 6x  | L 12x  | L 36x  |   |   |   |   |



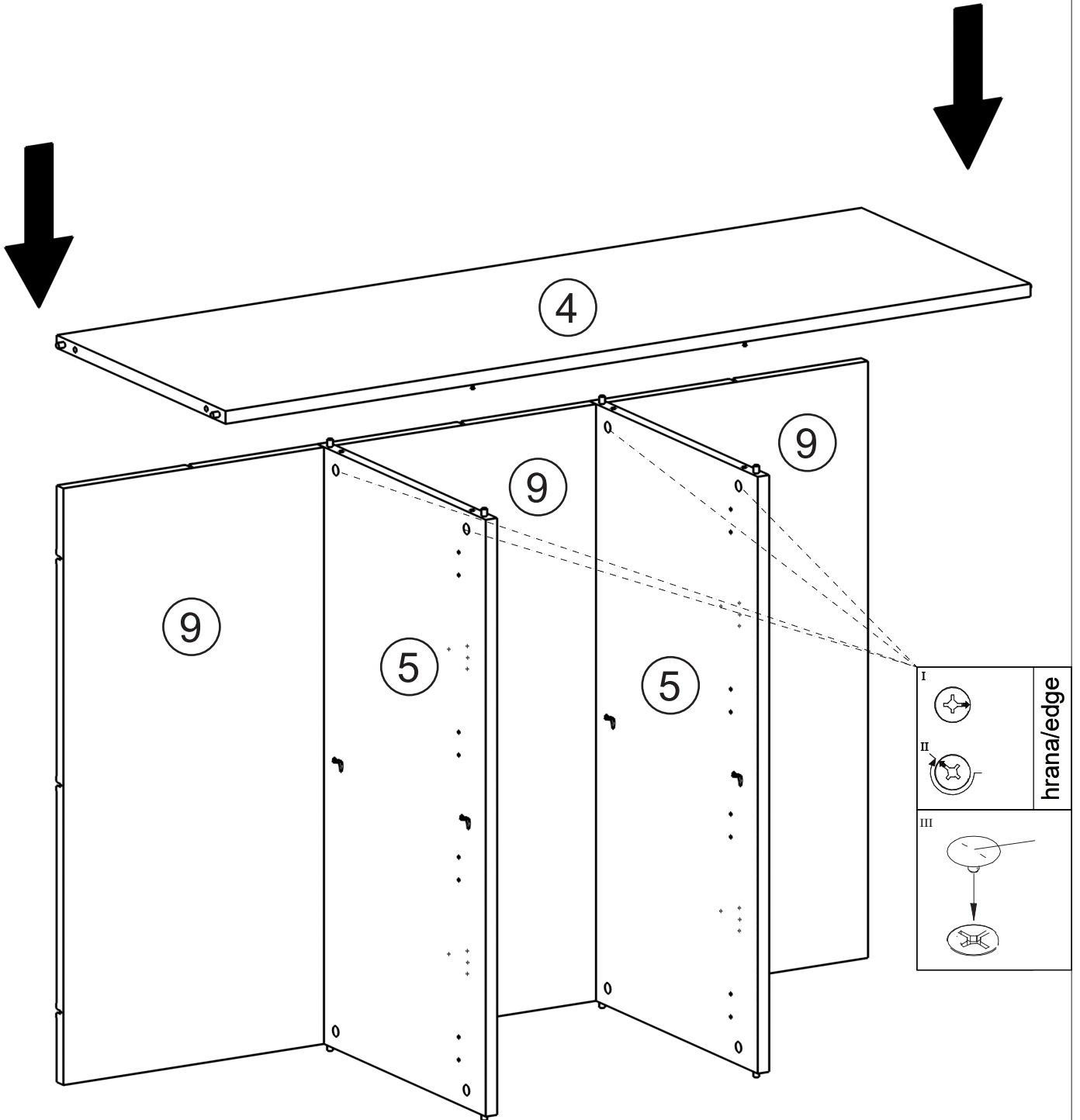
1



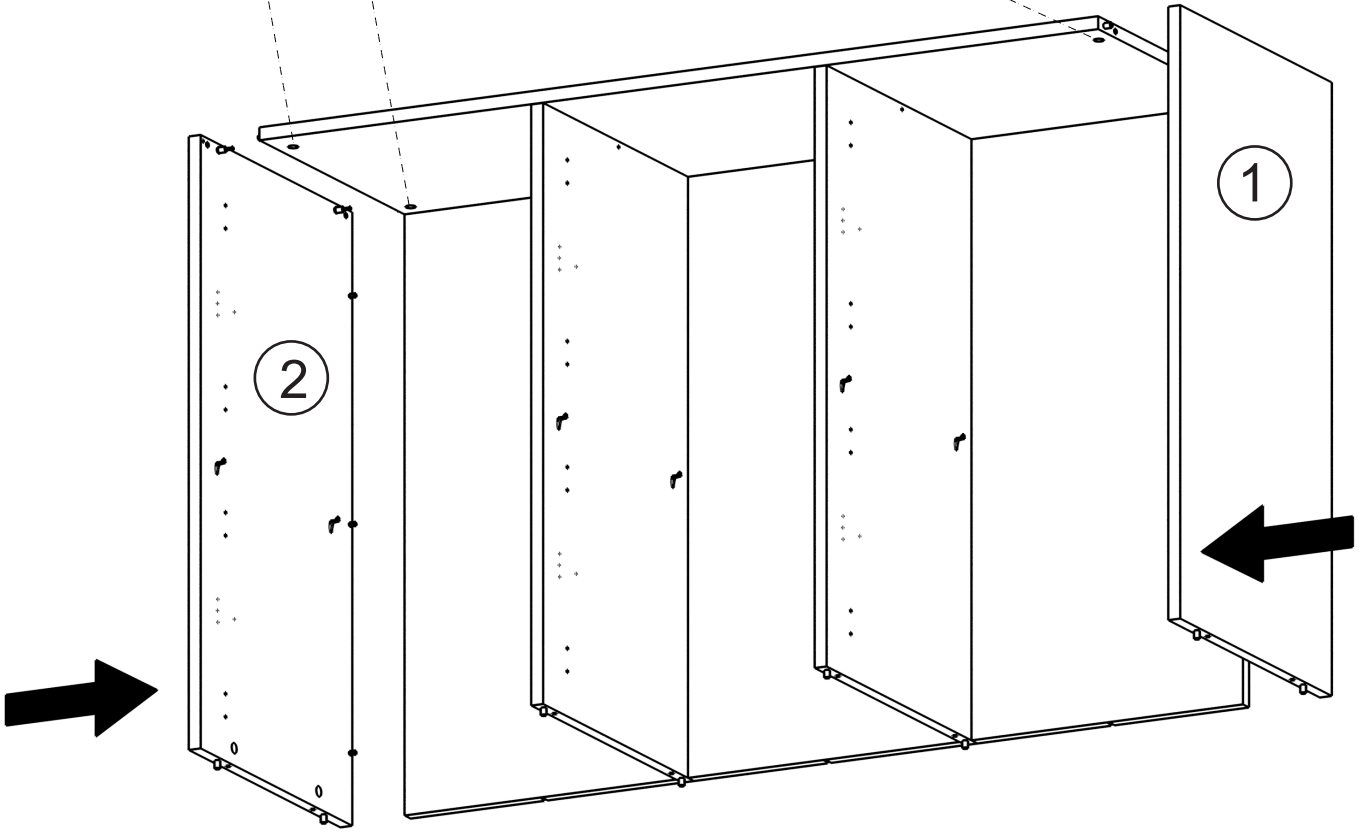
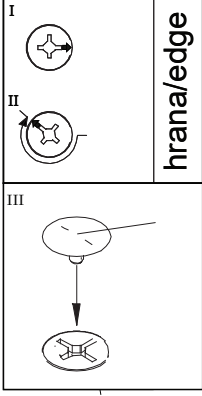
2



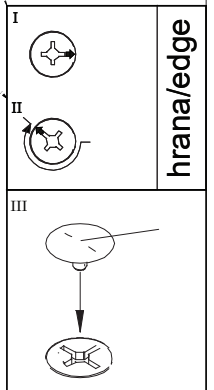
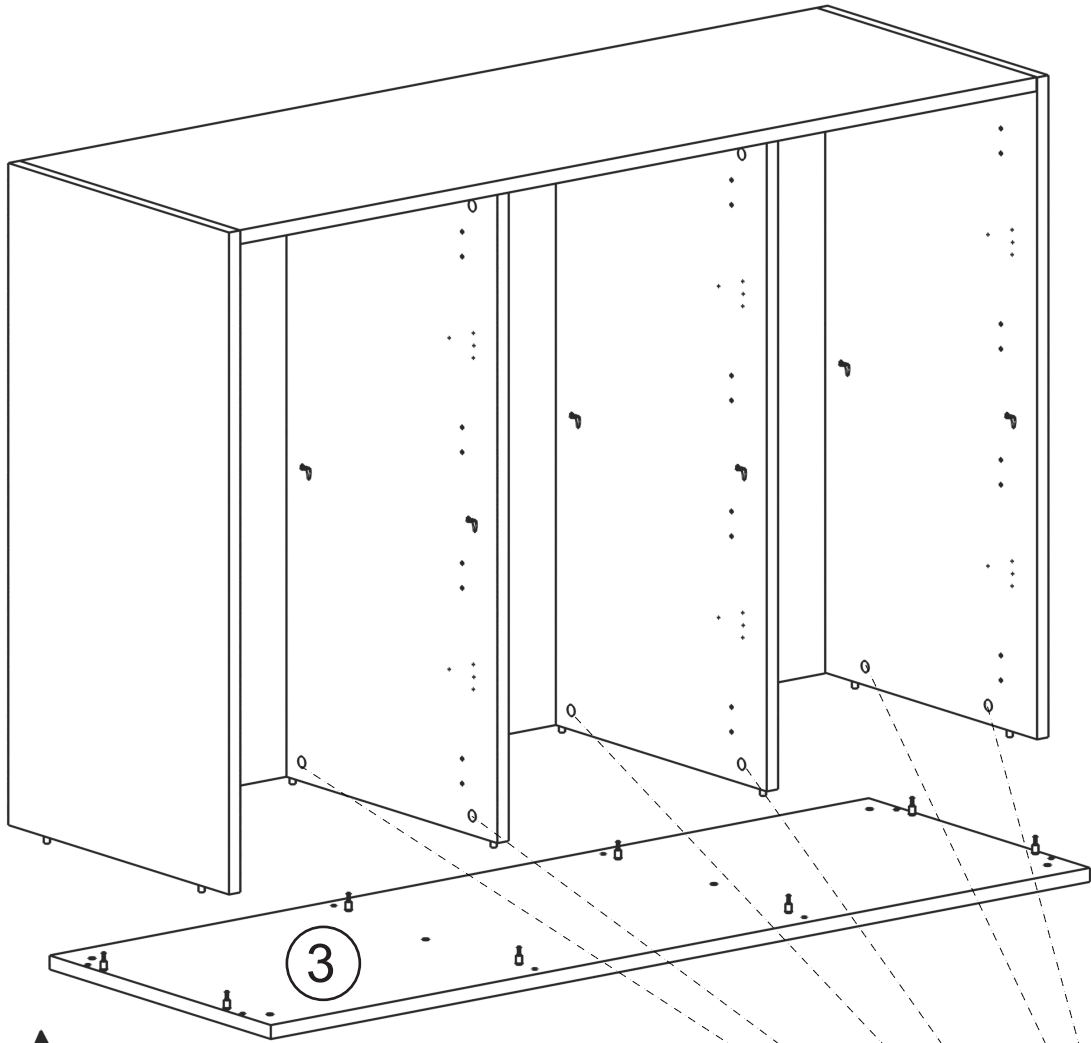
3

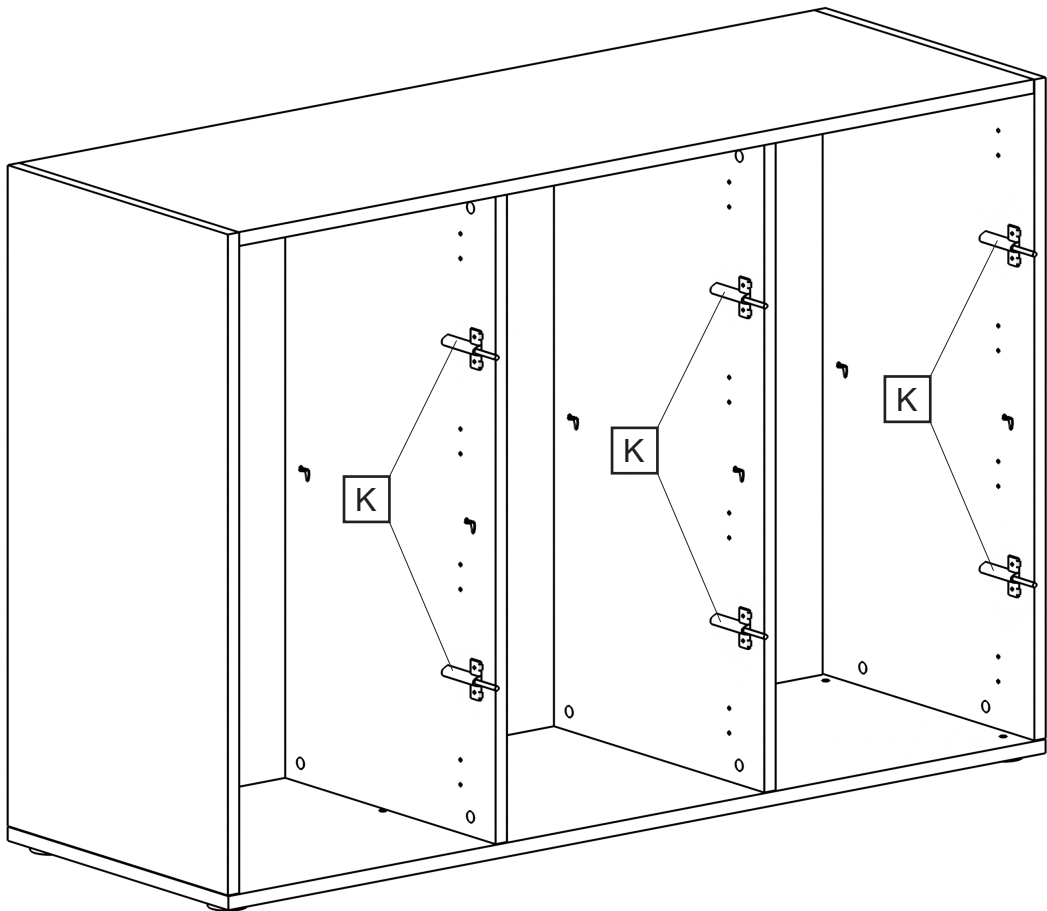
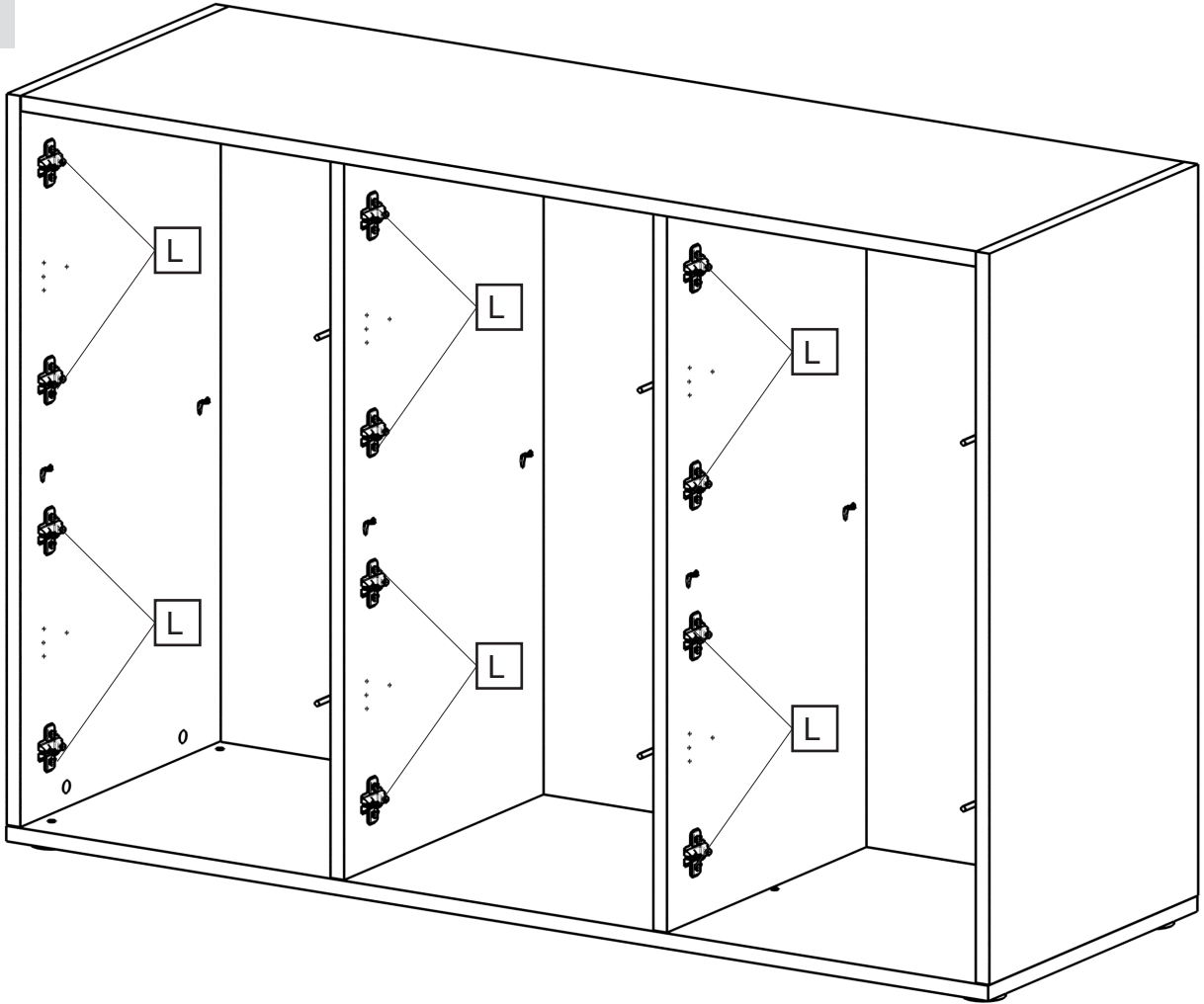


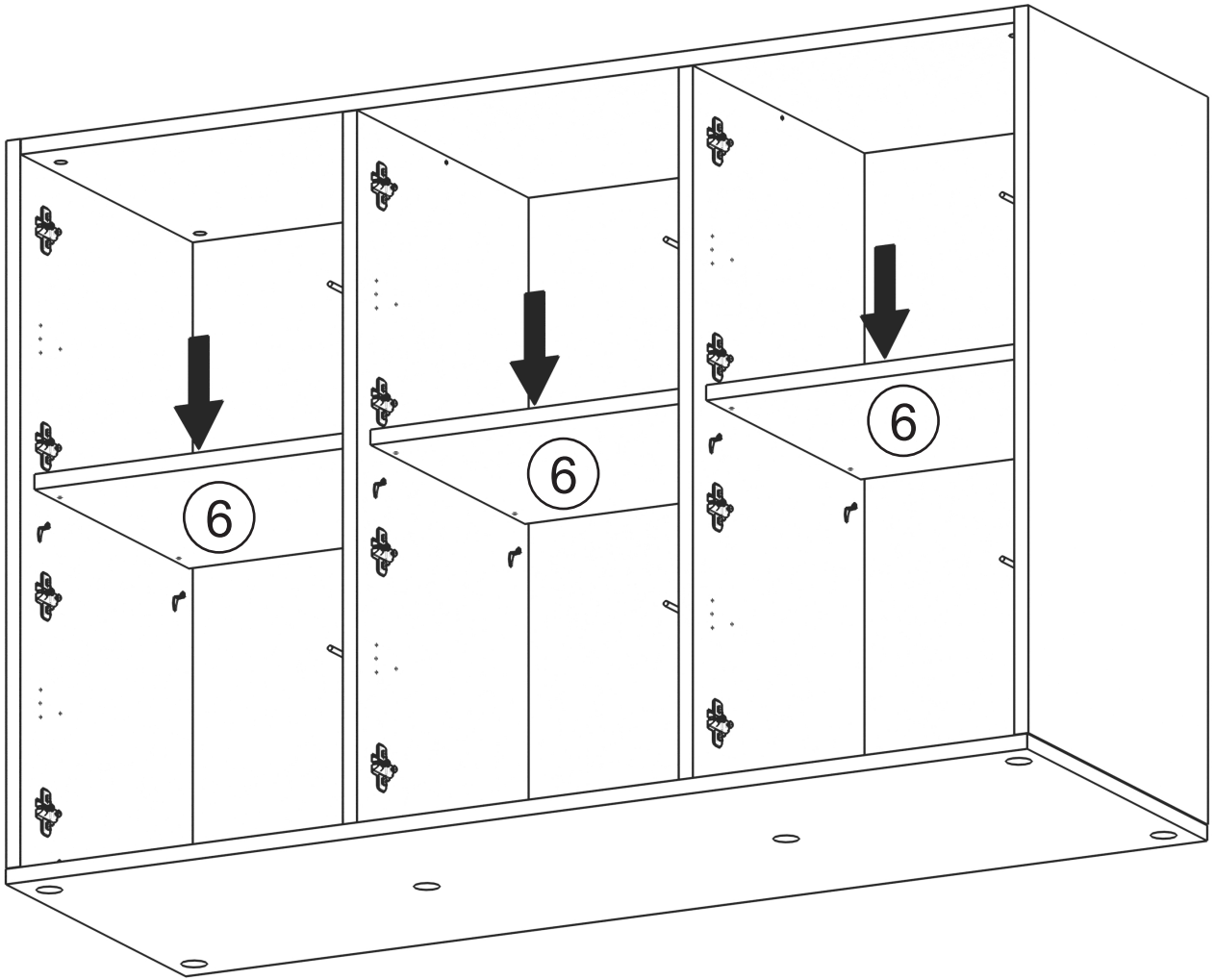
4



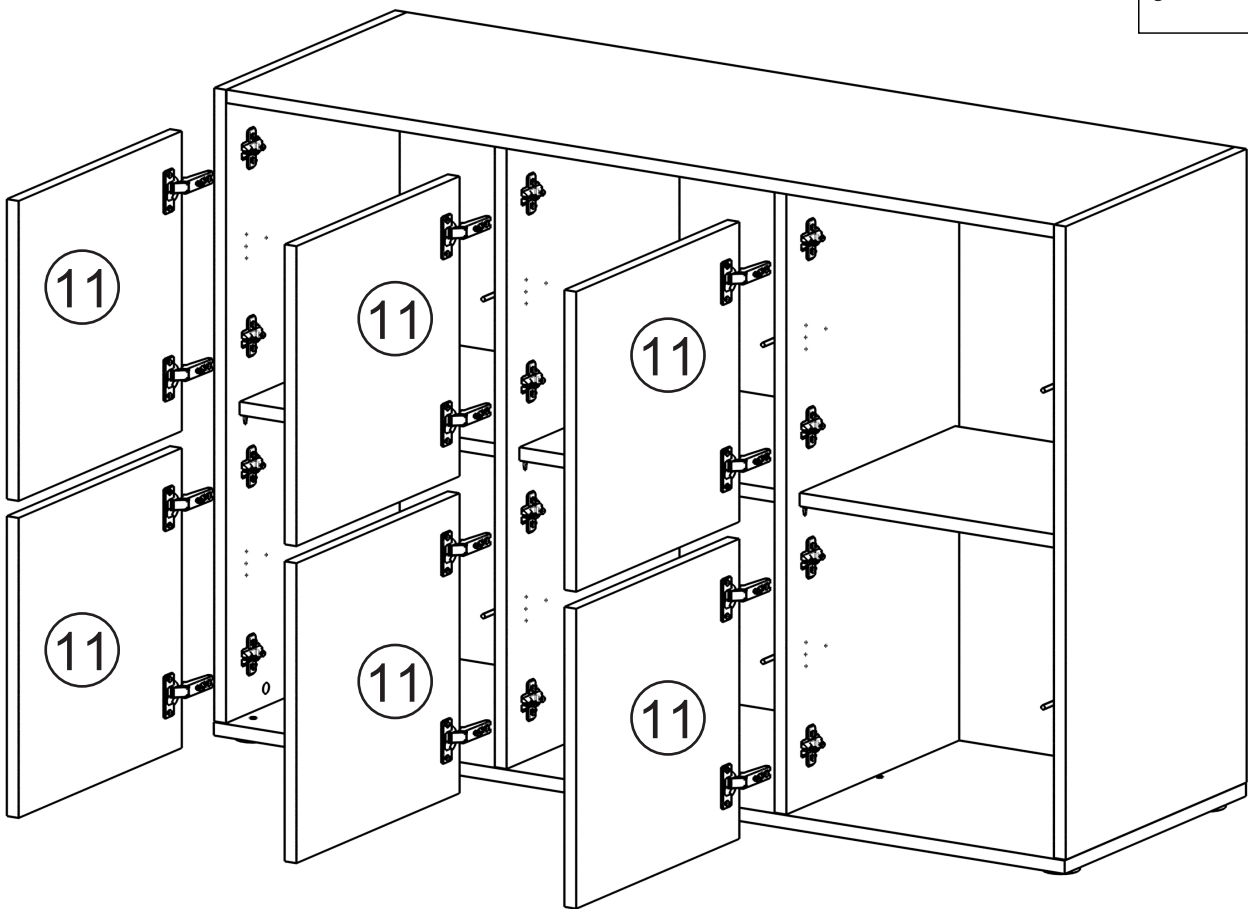
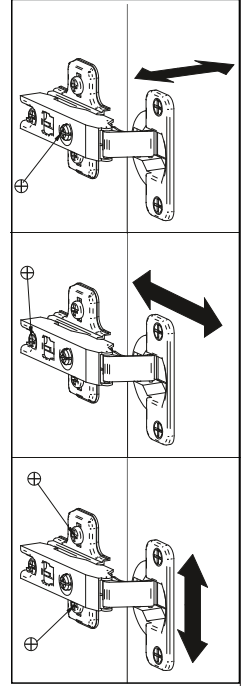
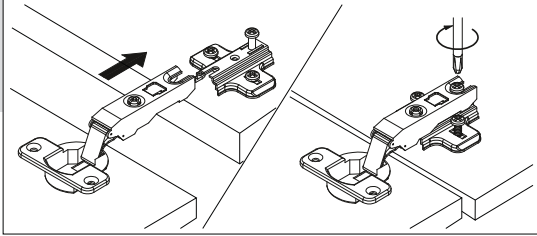
5

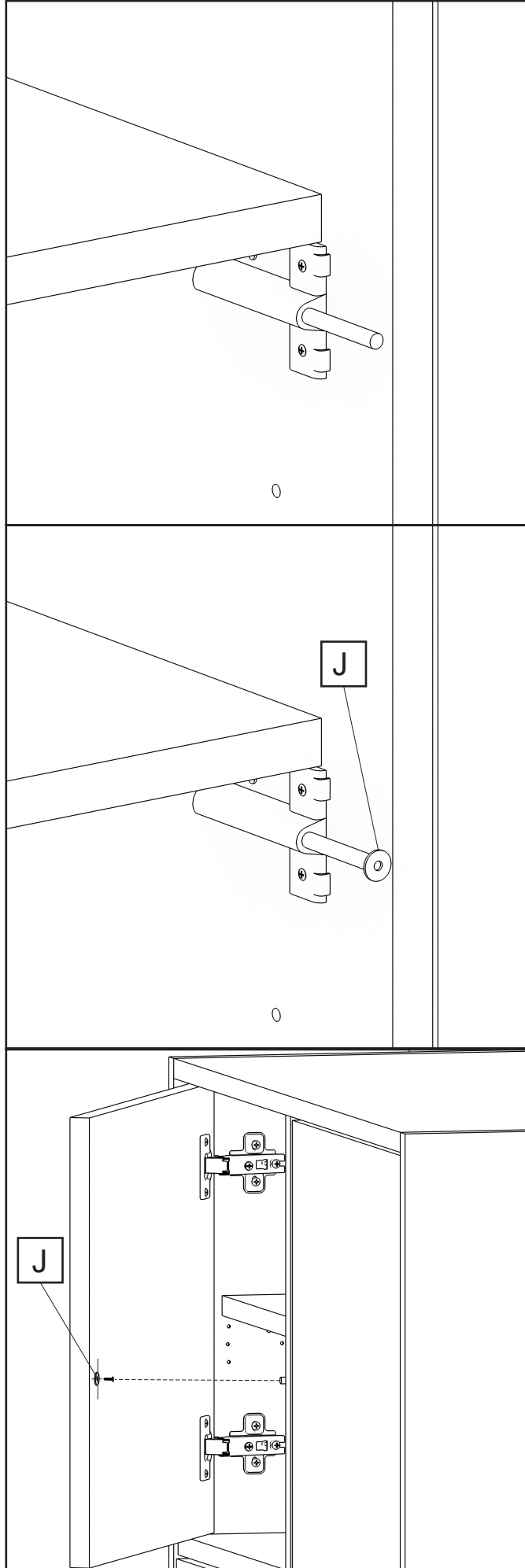



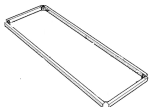







8





|   |   |   |   |  |
|---|---|---|---|--|
|  |  |  |  |  |
| 1 4x  | 2 1x  | 3 4x  | 4 4x  | 5 4x   |

