

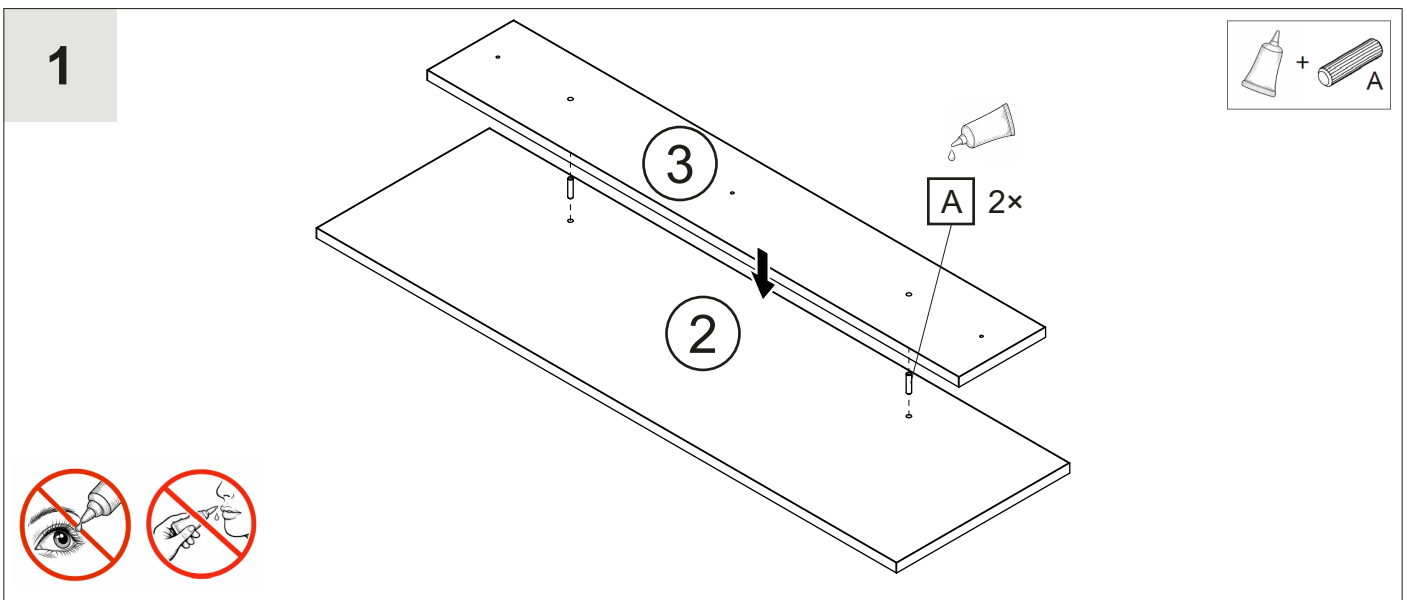
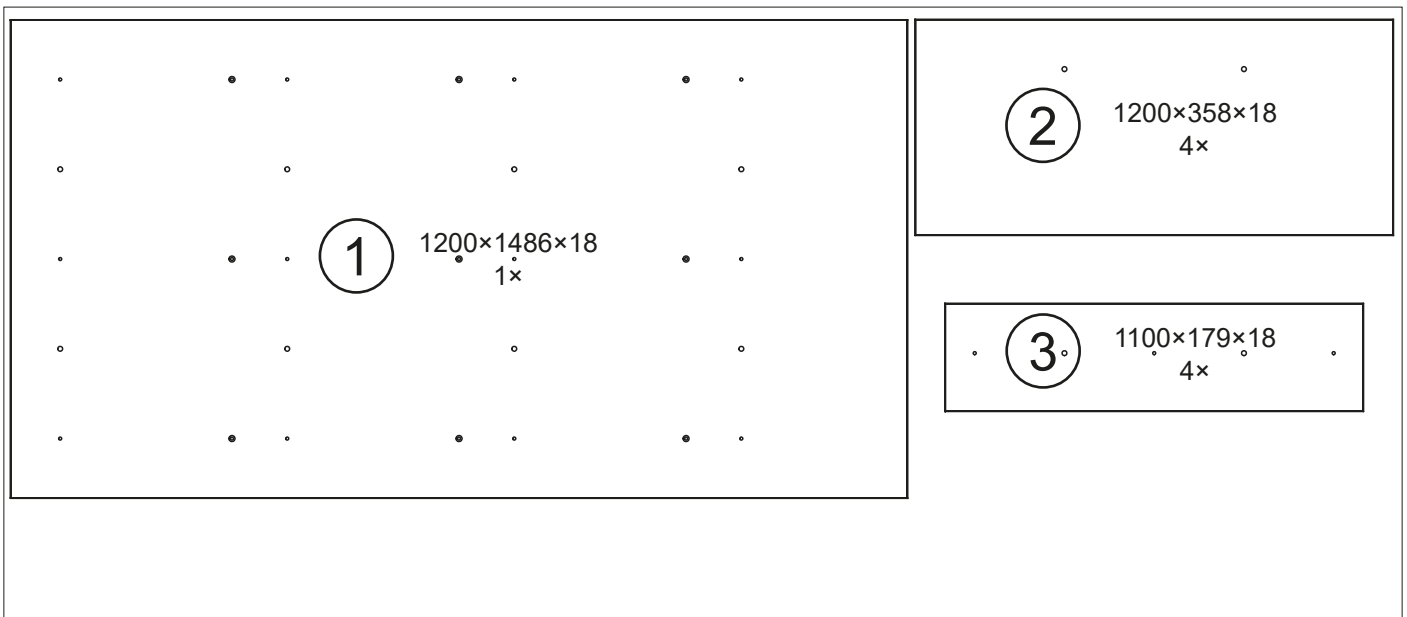
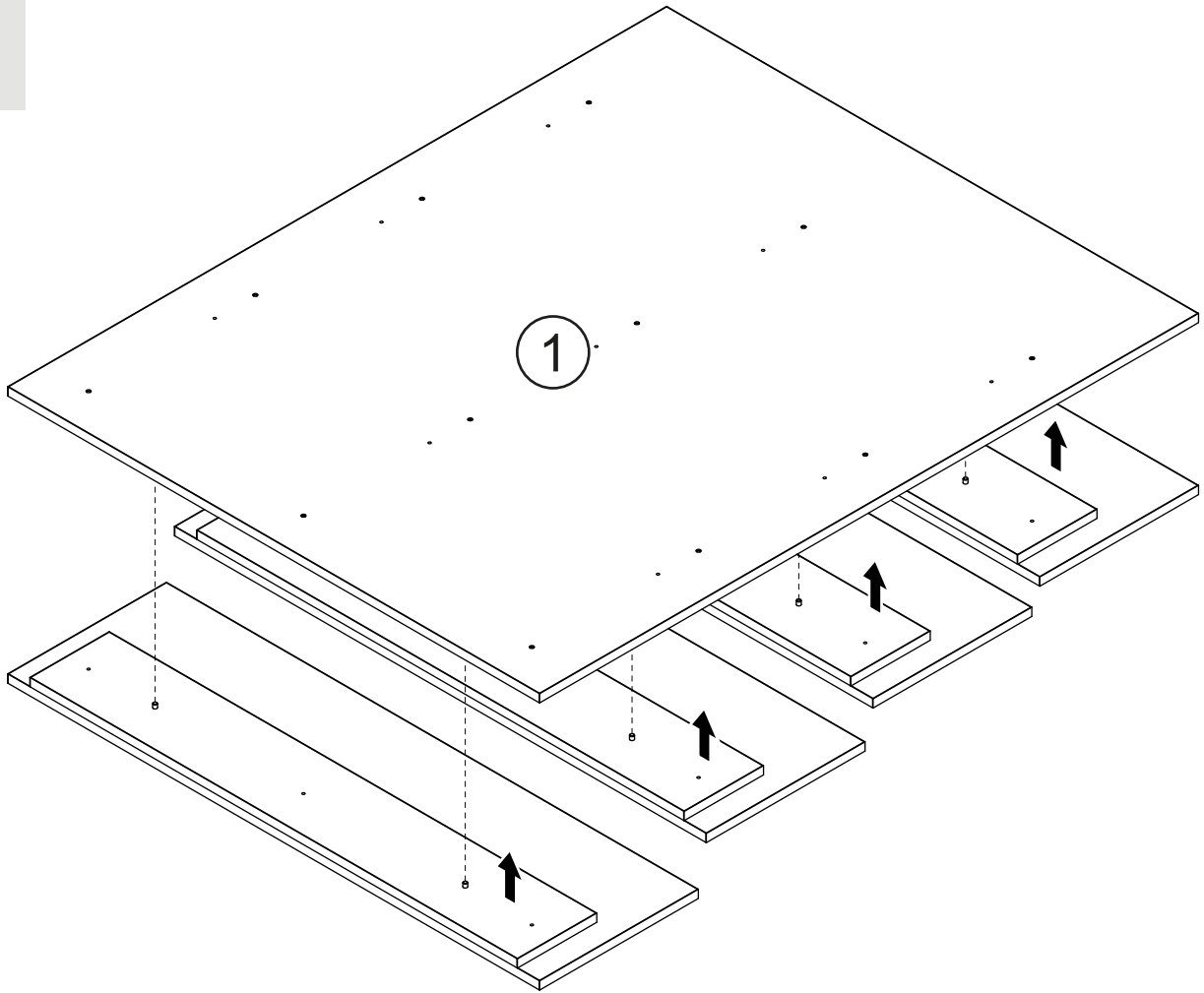


| | |
|---|---|
|  |  |
| Ø8 x 35 | Ø5 x 50 |
| A 8x | B 12x |



2



3

