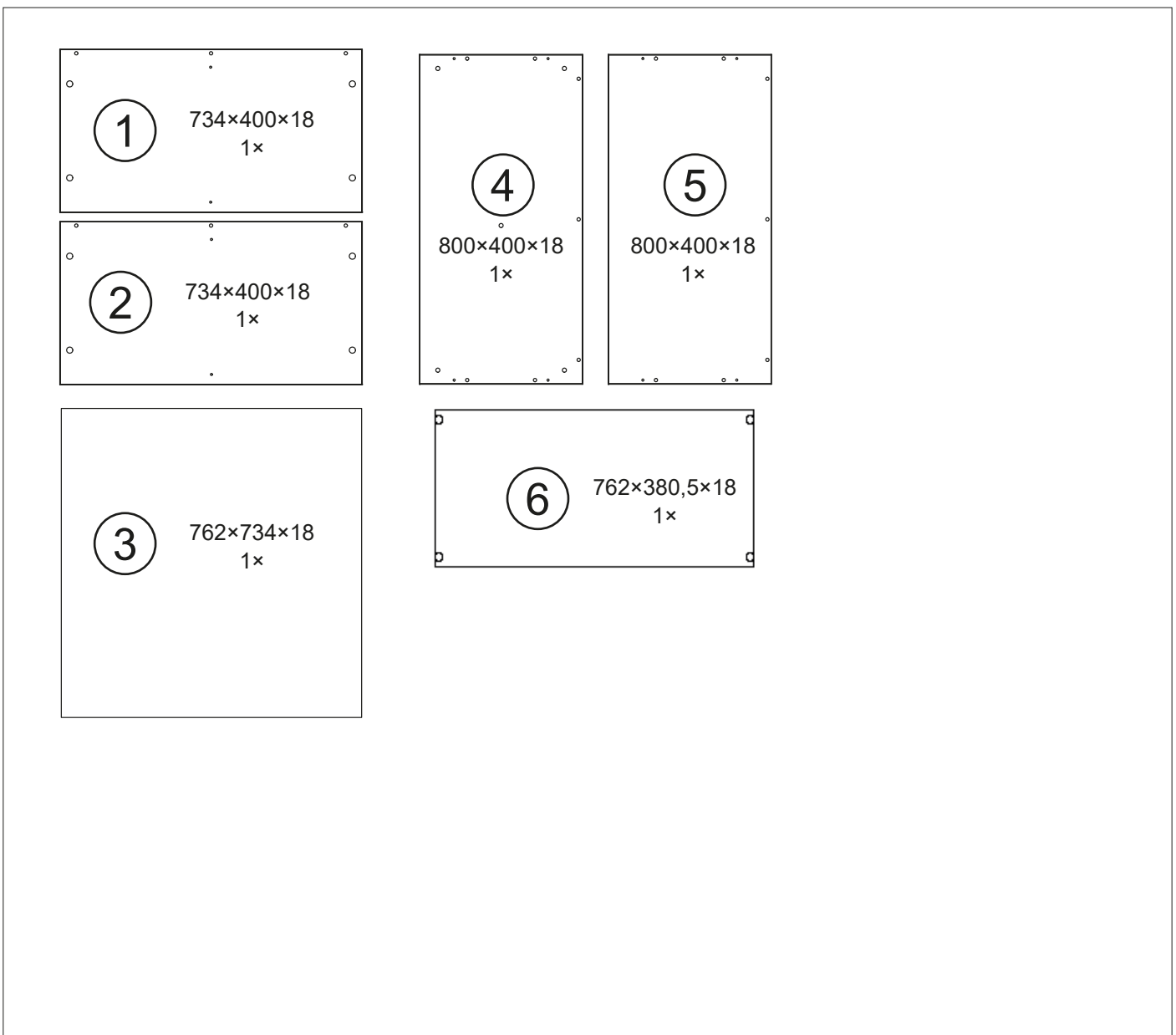
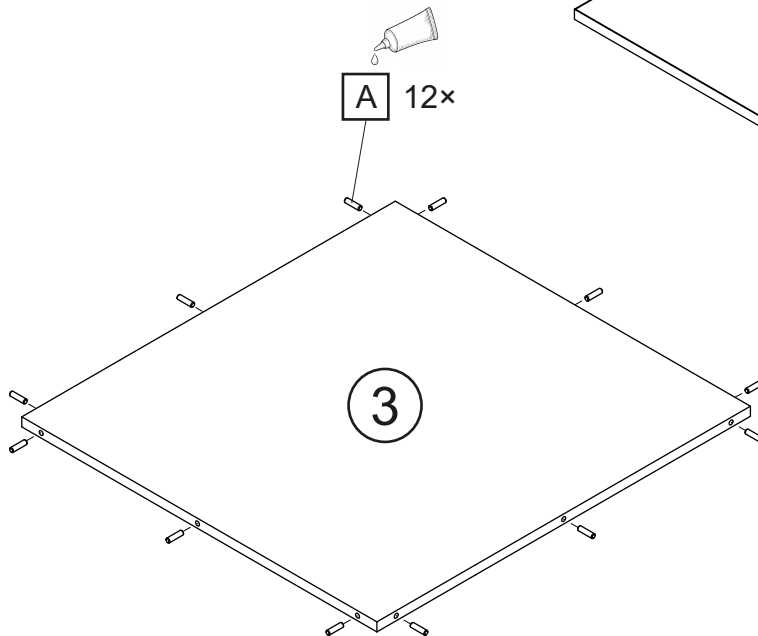
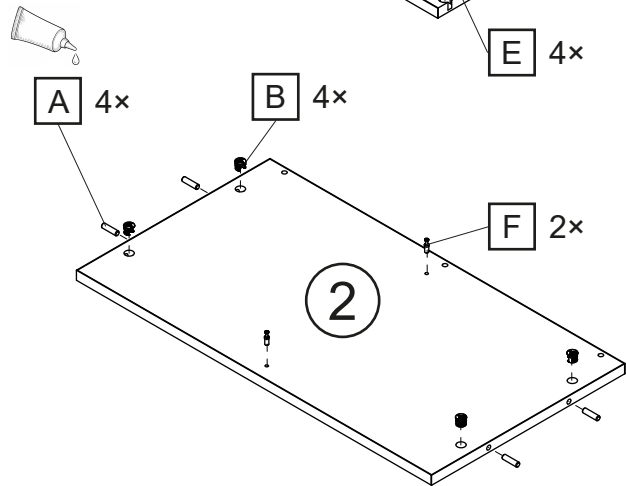
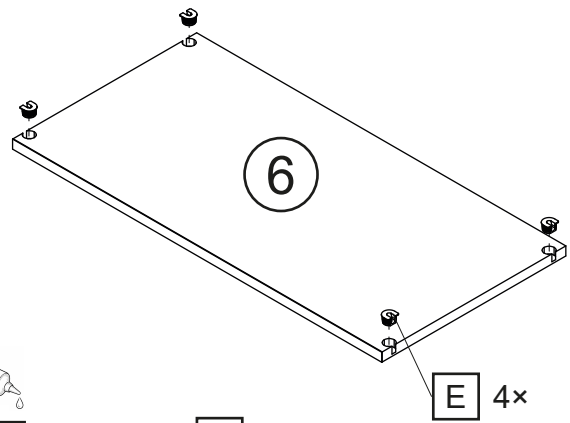
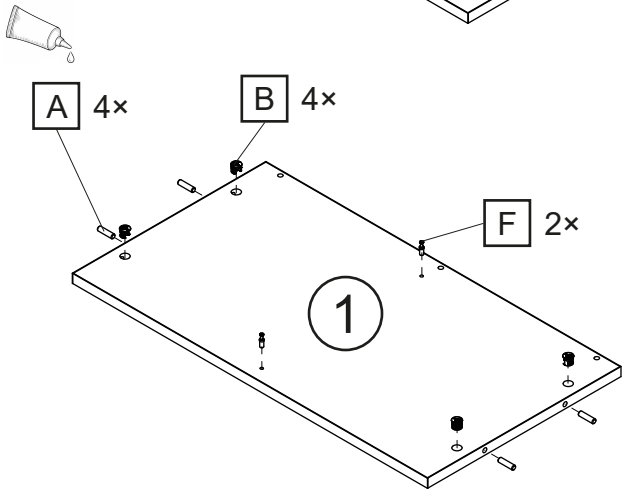
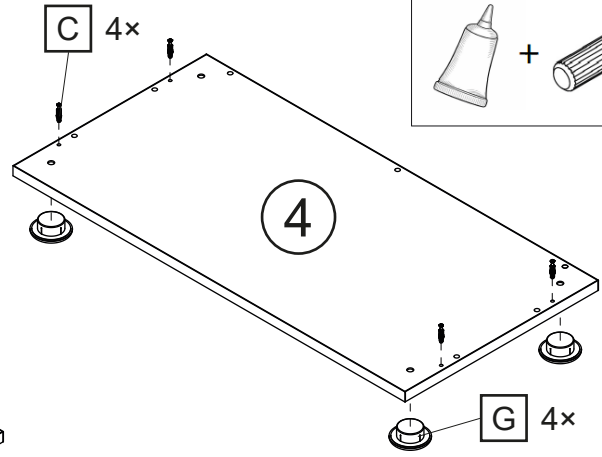
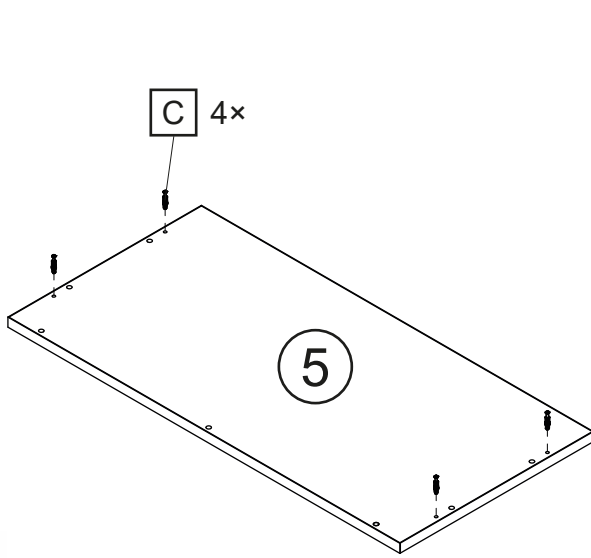
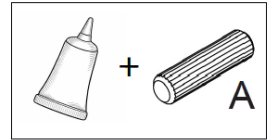
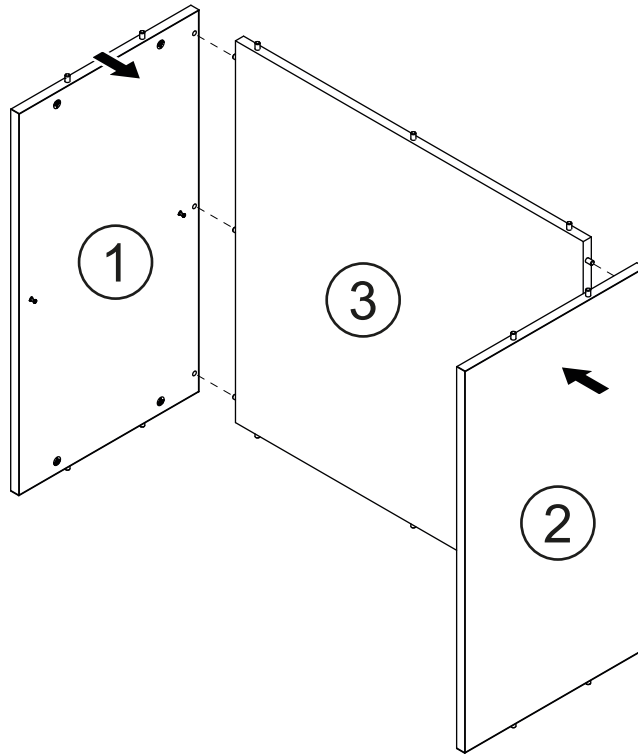

Ø8 x 35		Ø8 x 24				
A 20x	B 8x	C 8x	D 8x	E 4x	F 4x	G 4x



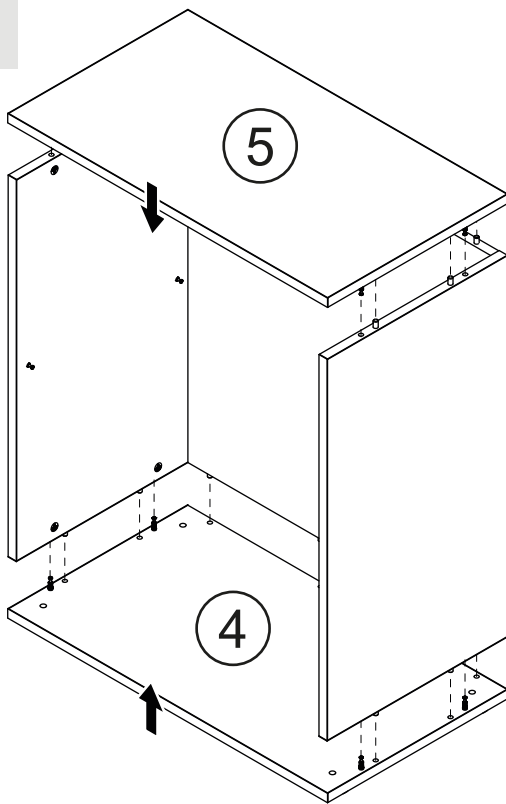
1



2



3



4

