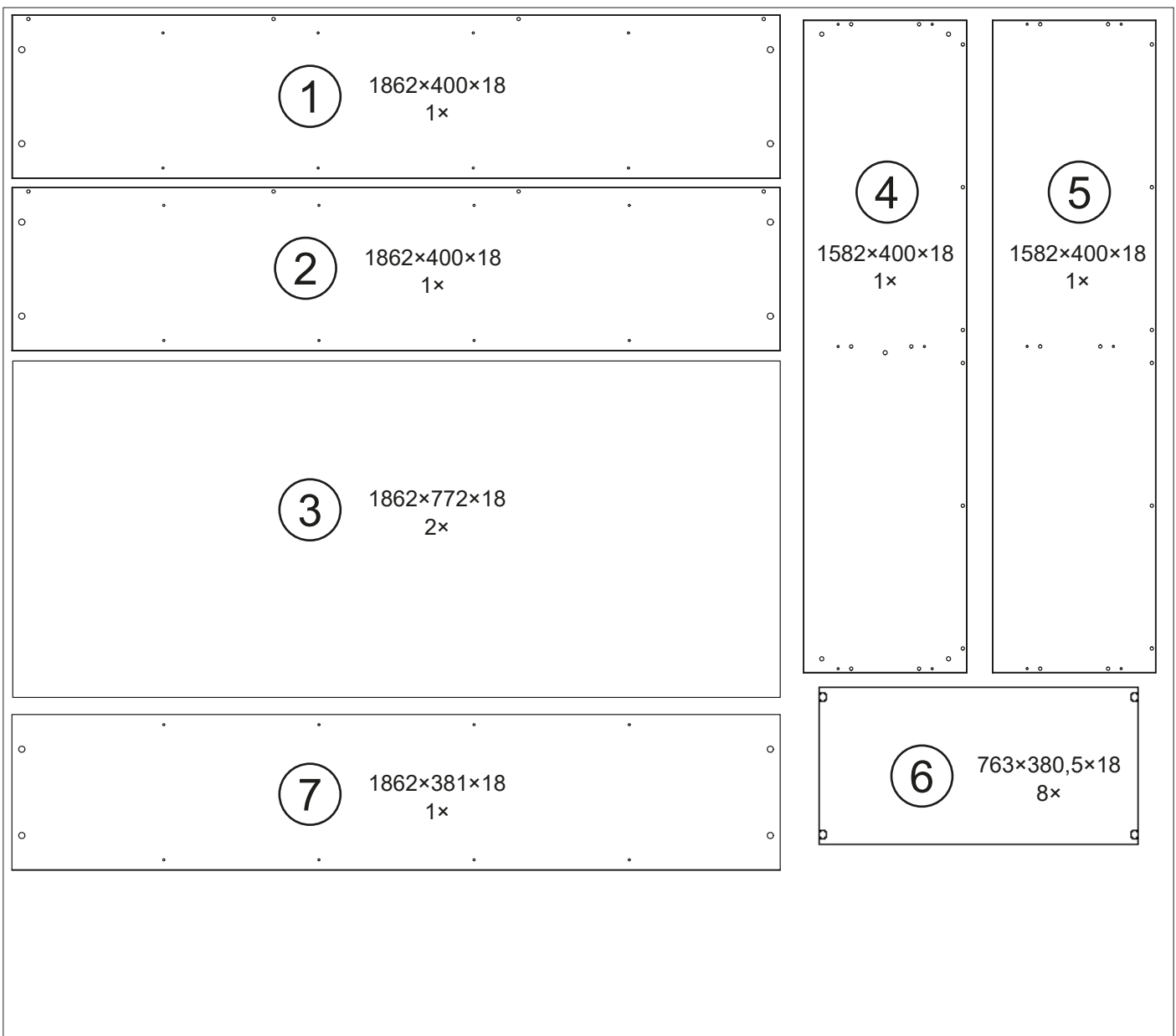
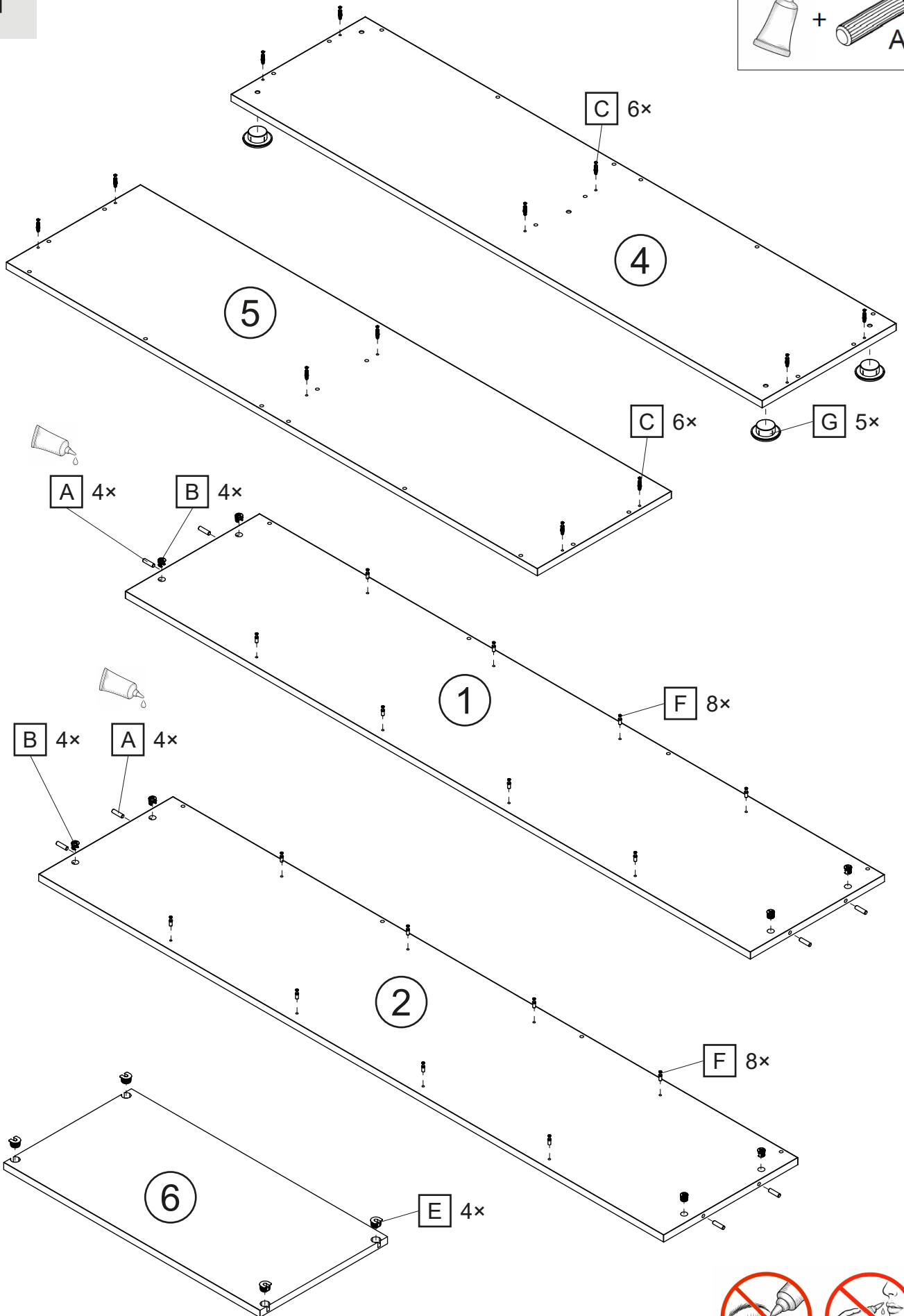
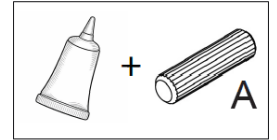
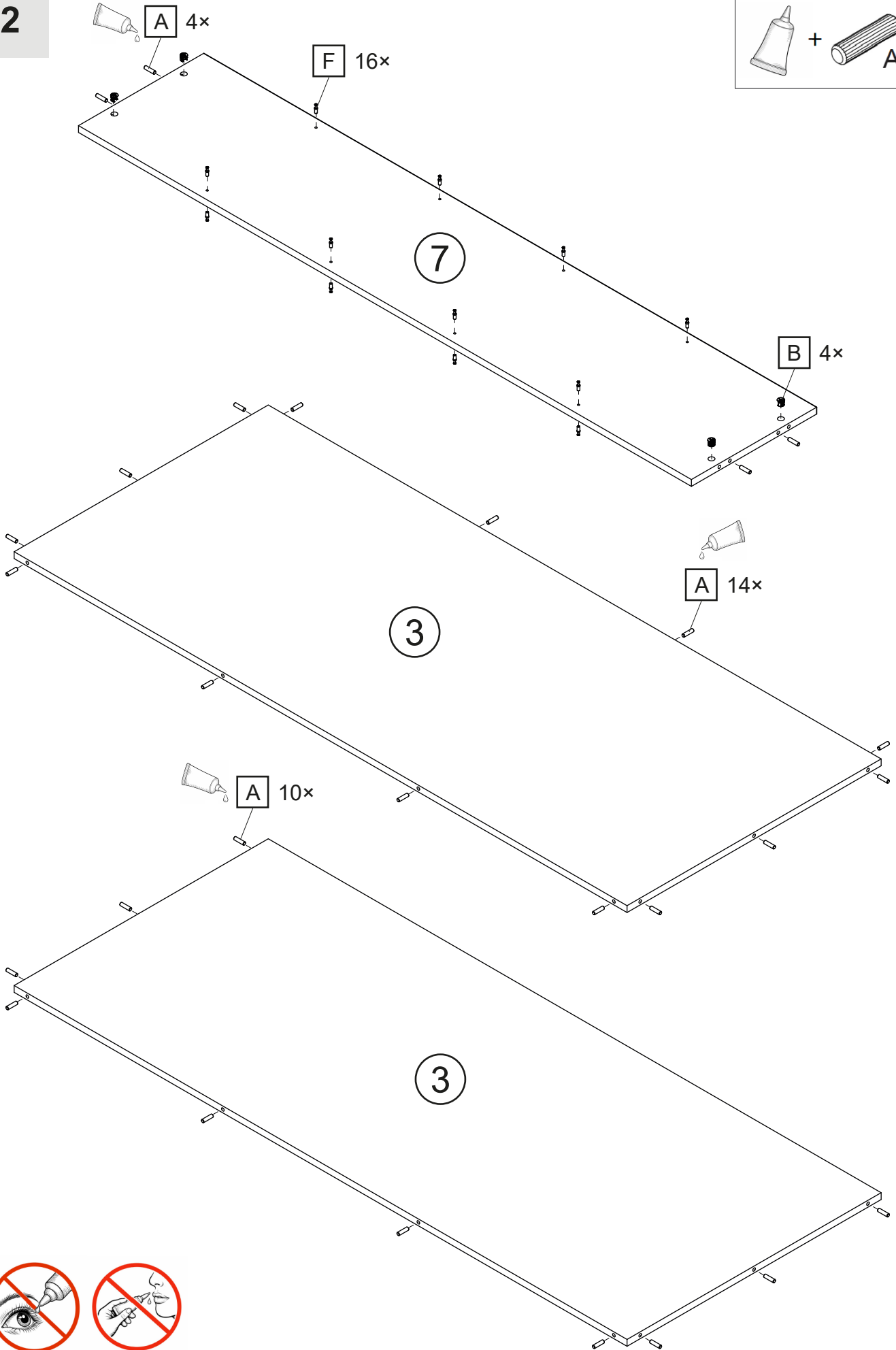
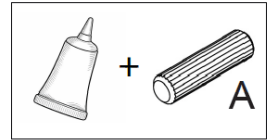

Ø8 x 35		Ø8 x 24				
A 36x	B 12x	C 12x	D 12x	E 32x	F 32x	G 5x

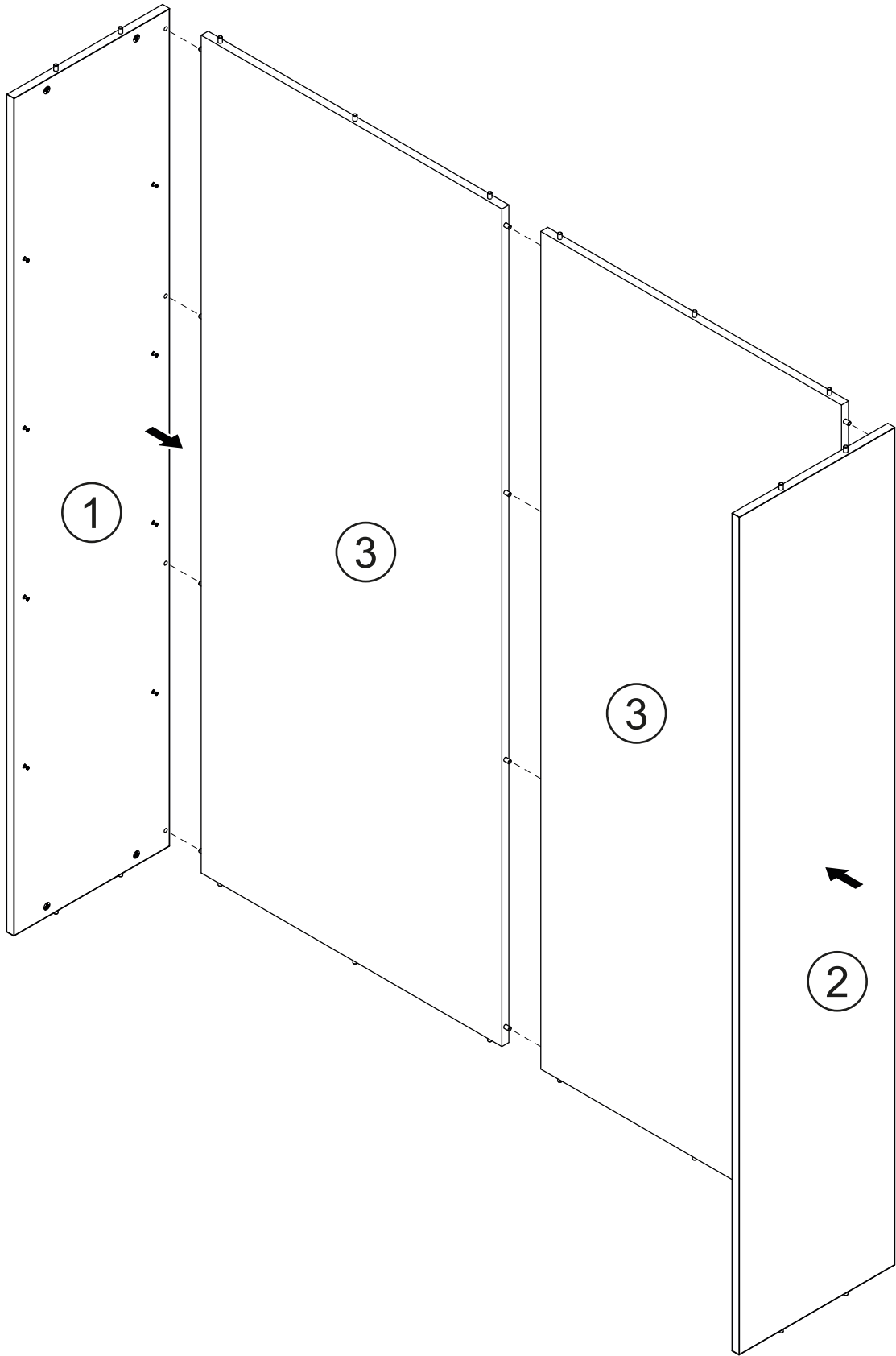


1



2





4

