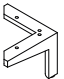




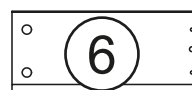
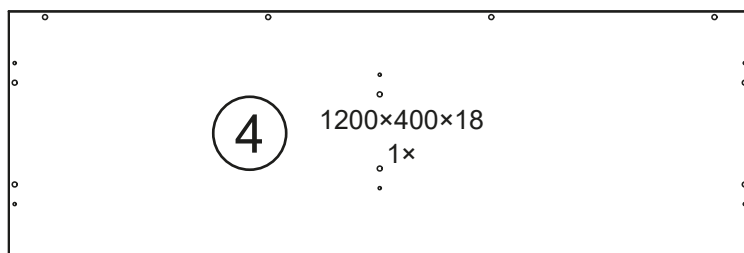
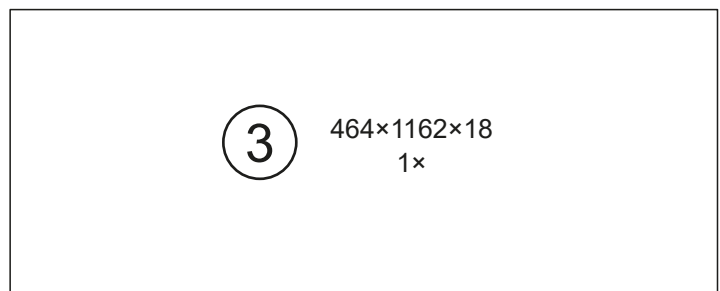
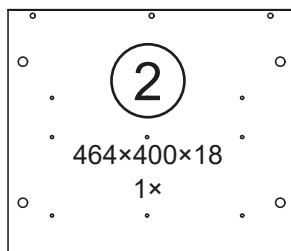
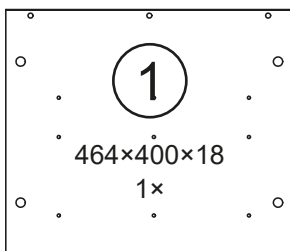

Ø8 × 35		Ø8 × 24
A 50×	B 60×	C 60×
		
I 4×		

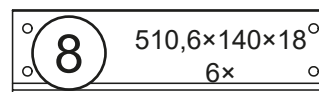
			
Ø3,5 × 16	Ø4 × 16		300 mm
E 60×	F 16×	G 72×	H 6×



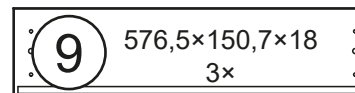
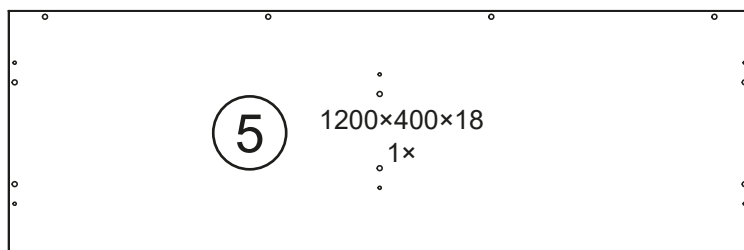
300×140×18
6×



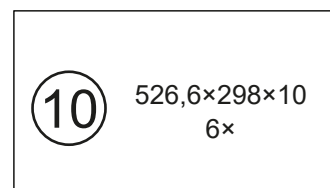
300×140×18
6×



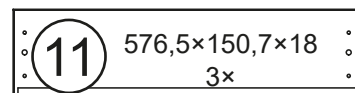
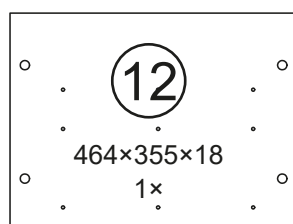
510,6×140×18^o
6×



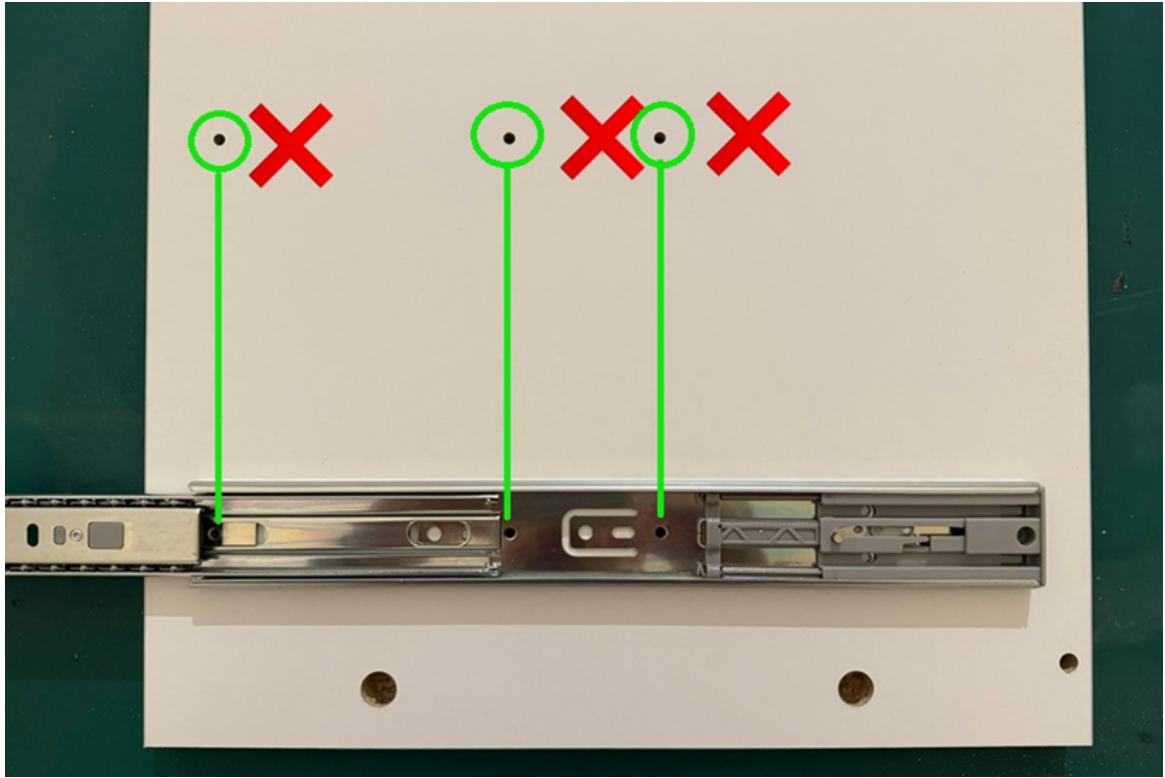
576,5×150,7×18
3×



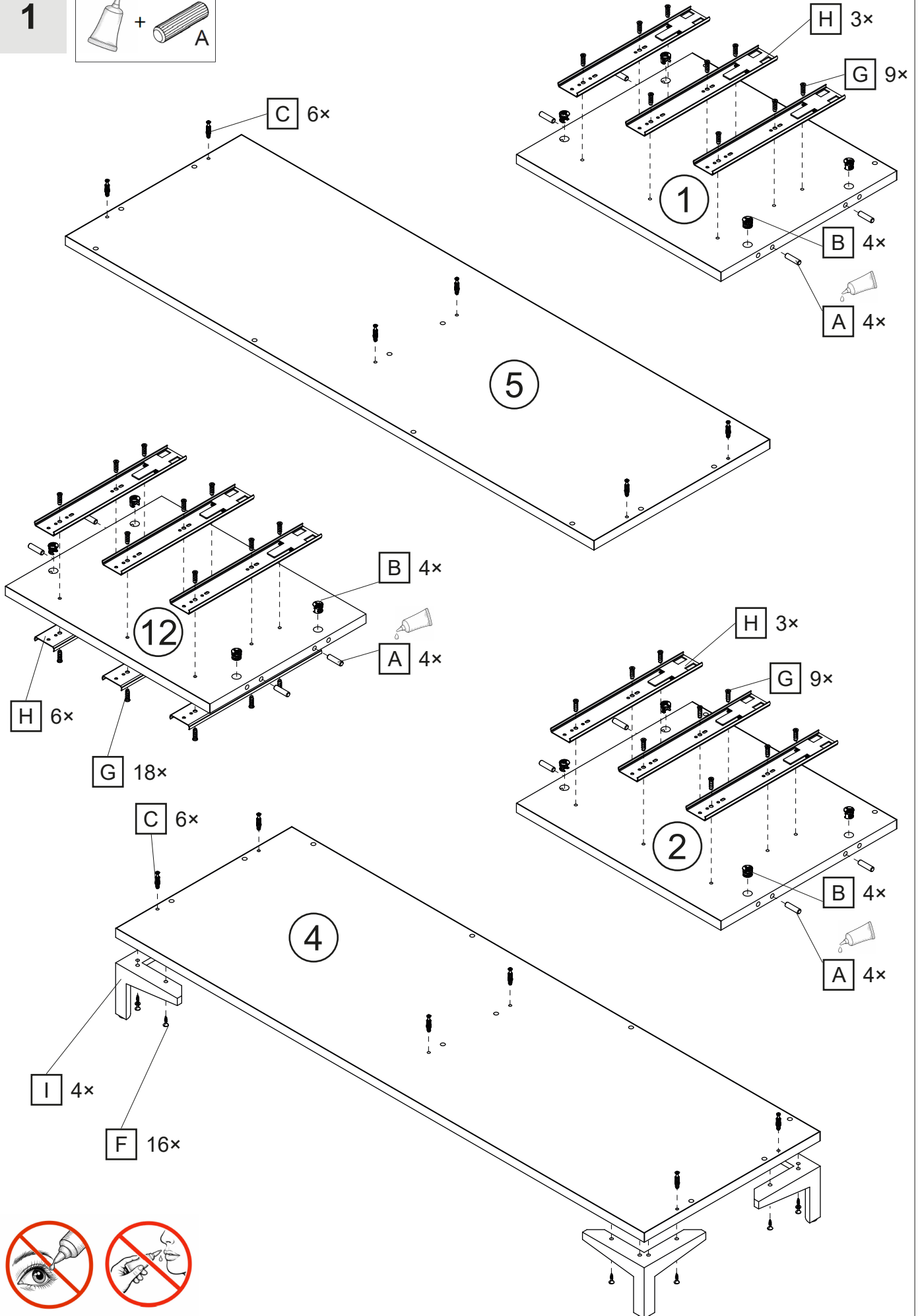
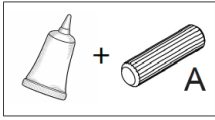
526,6×298×10
6×

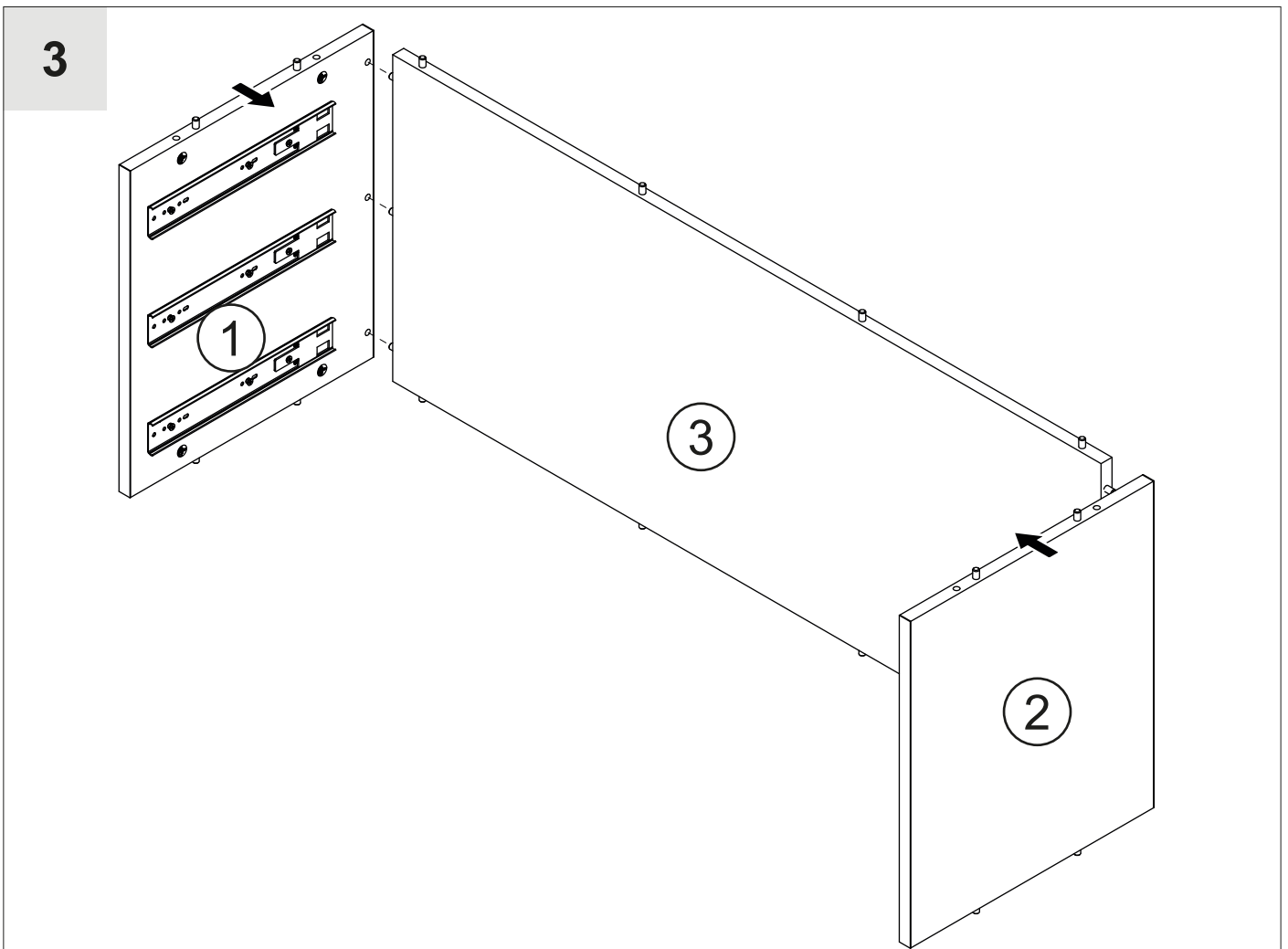
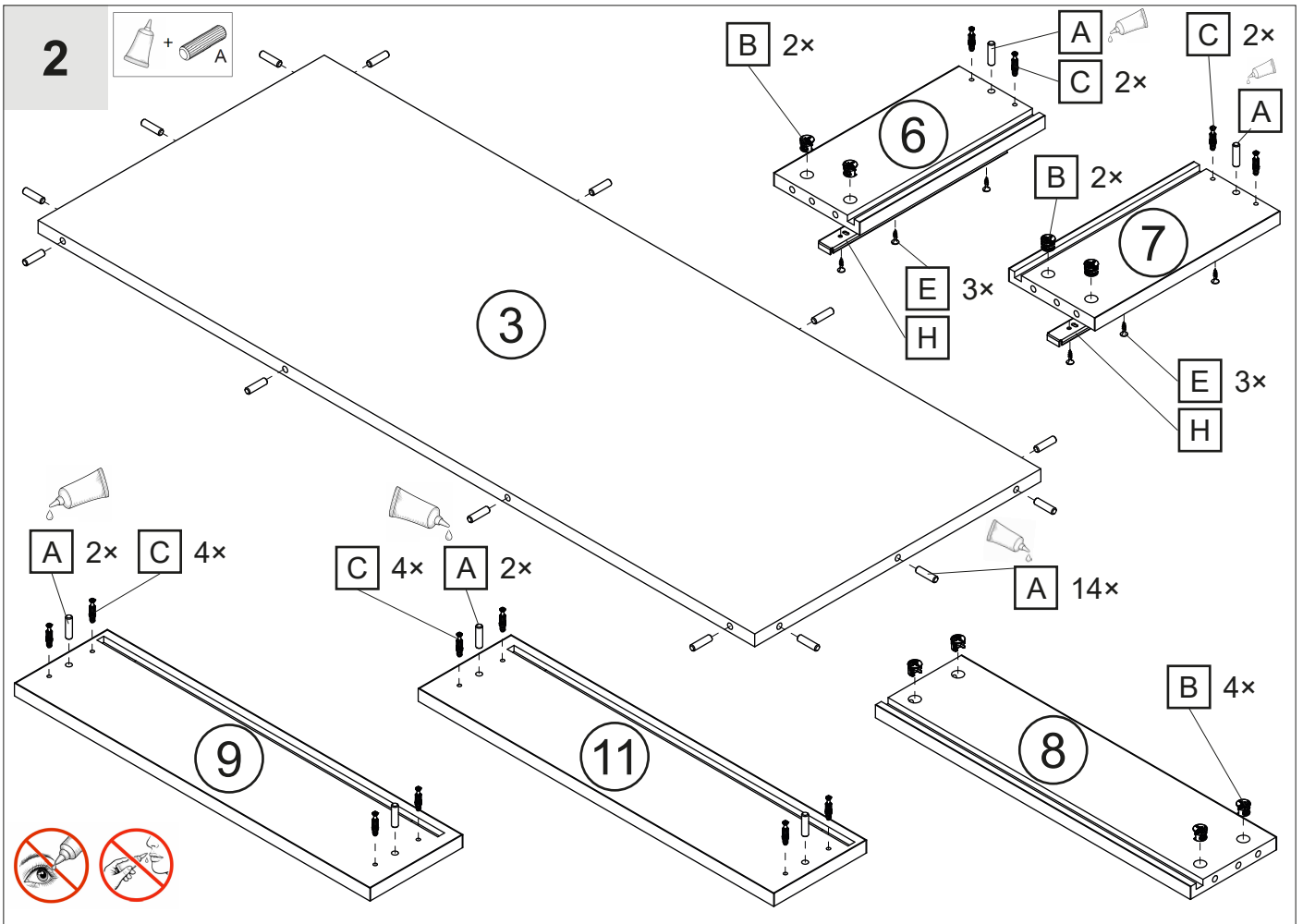


576,5×150,7×18
3×

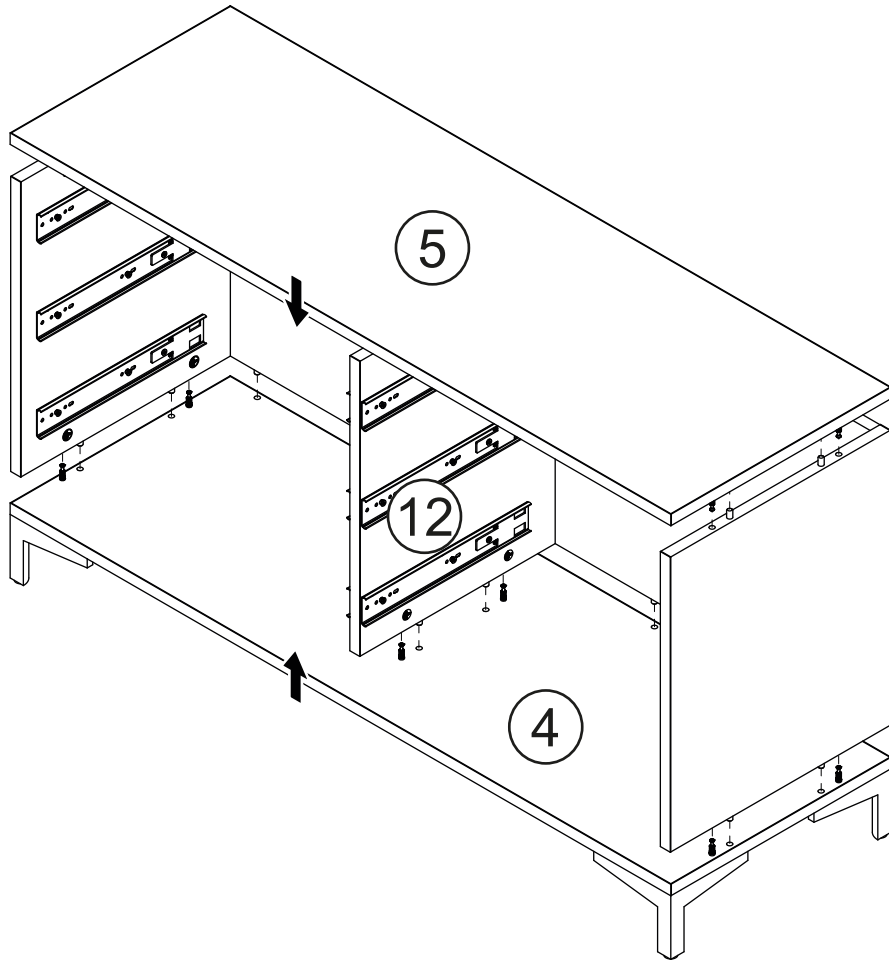


1

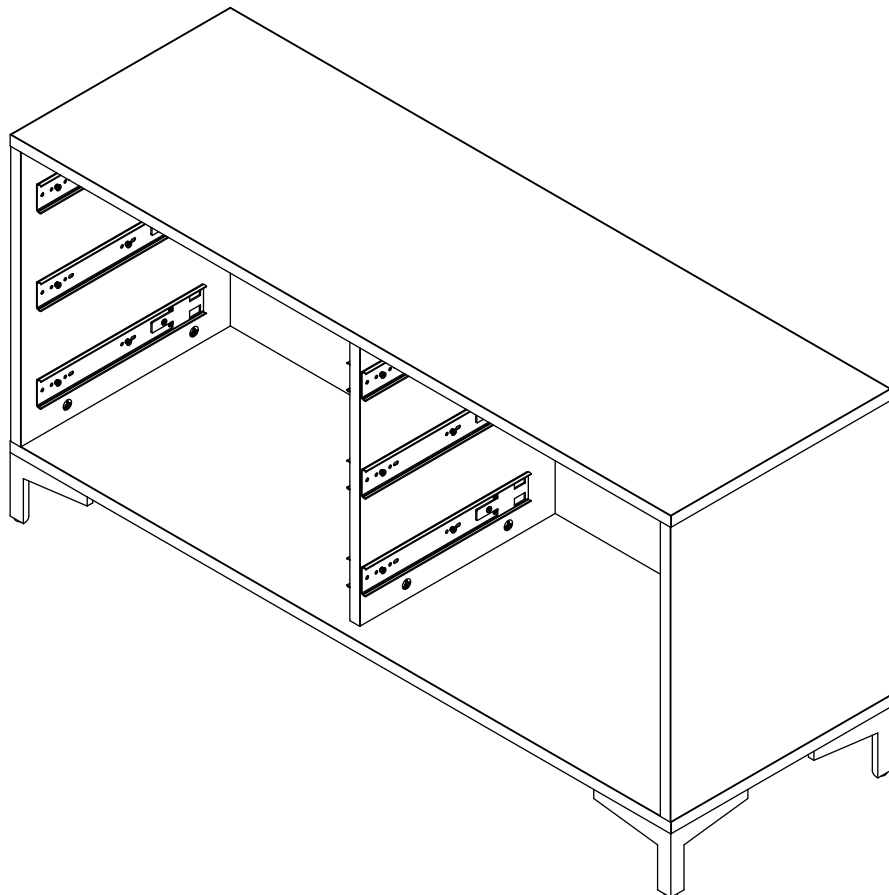




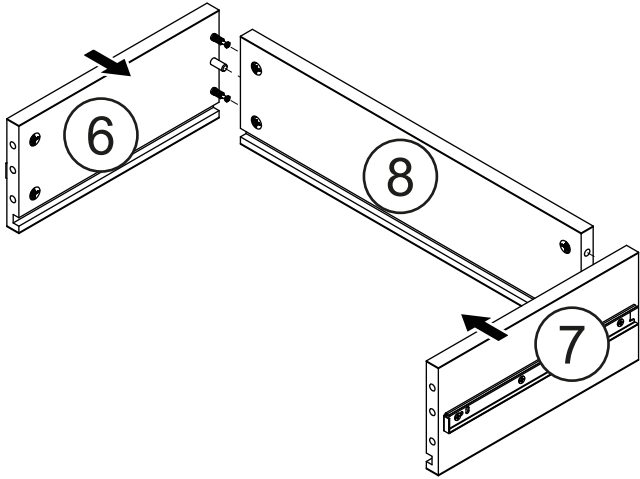
4



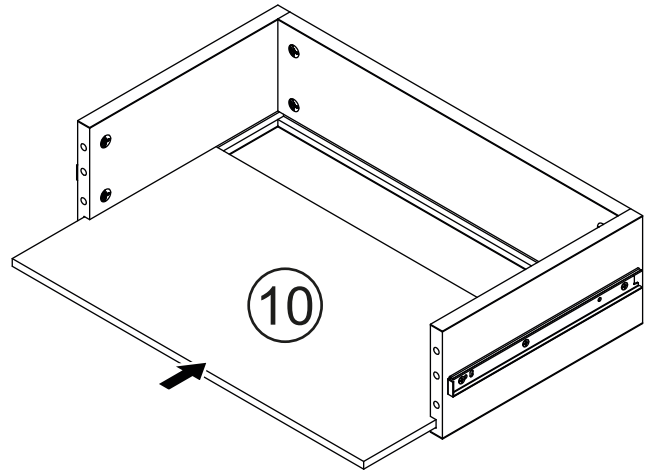
5



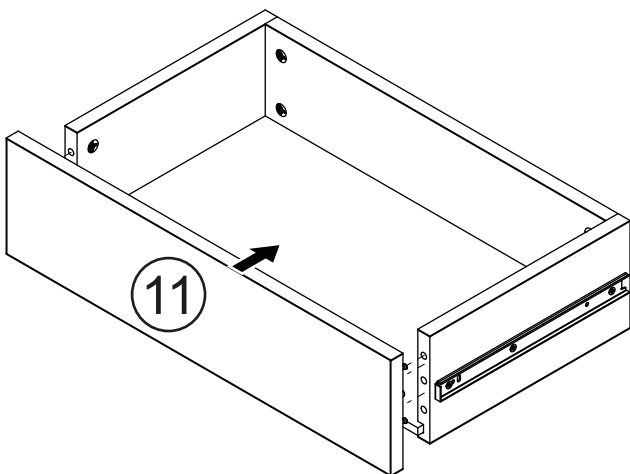
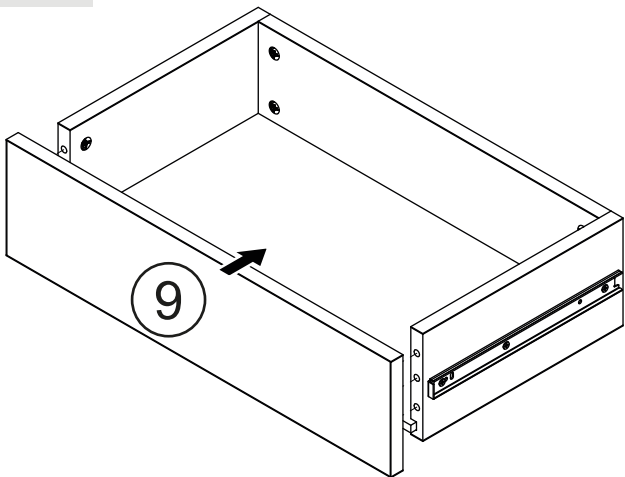
6



7



8



9

