

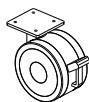




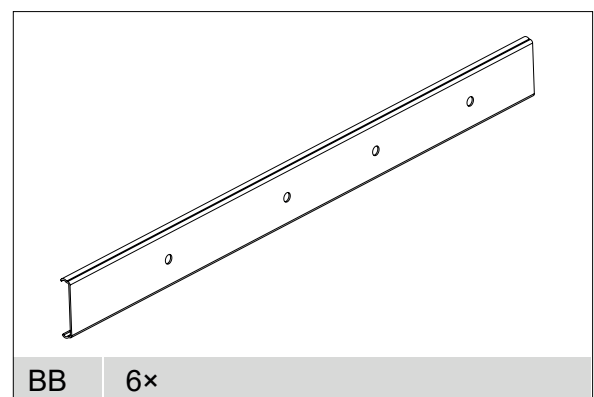
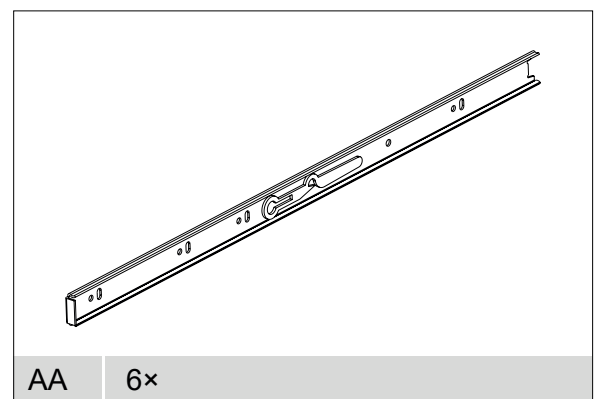
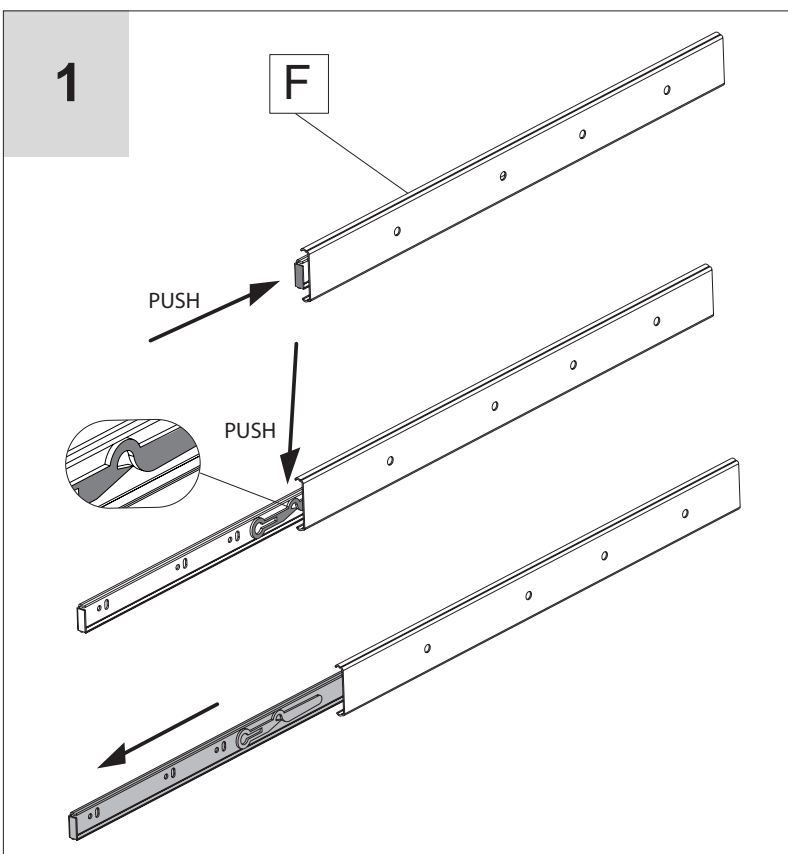
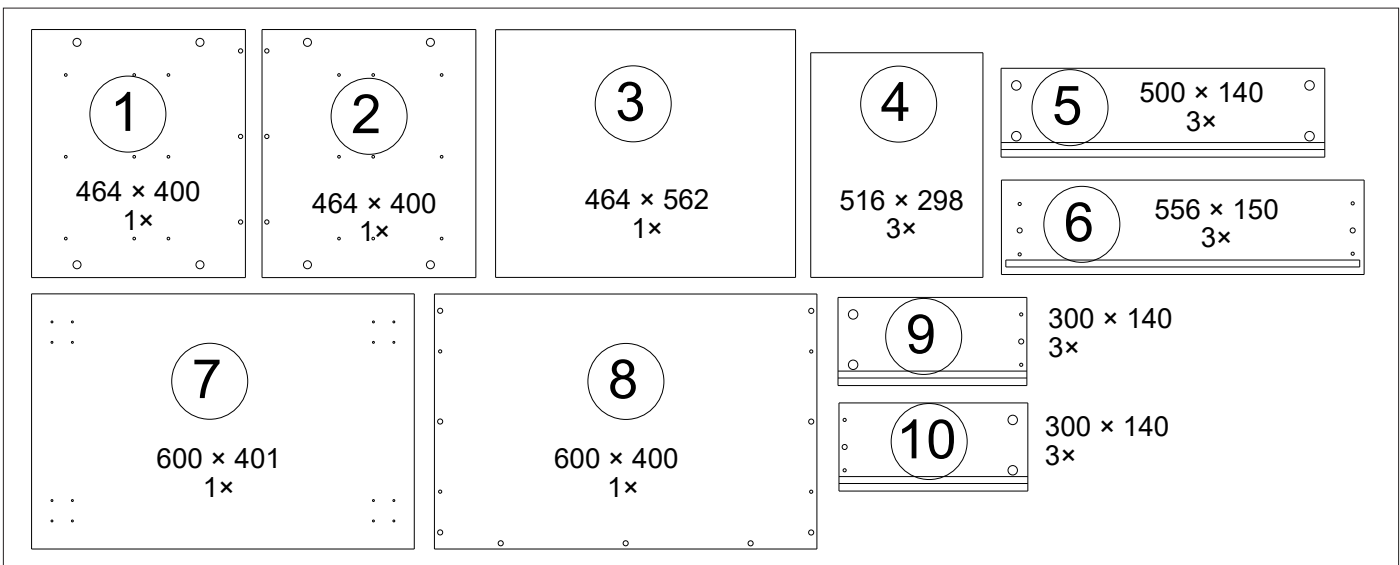
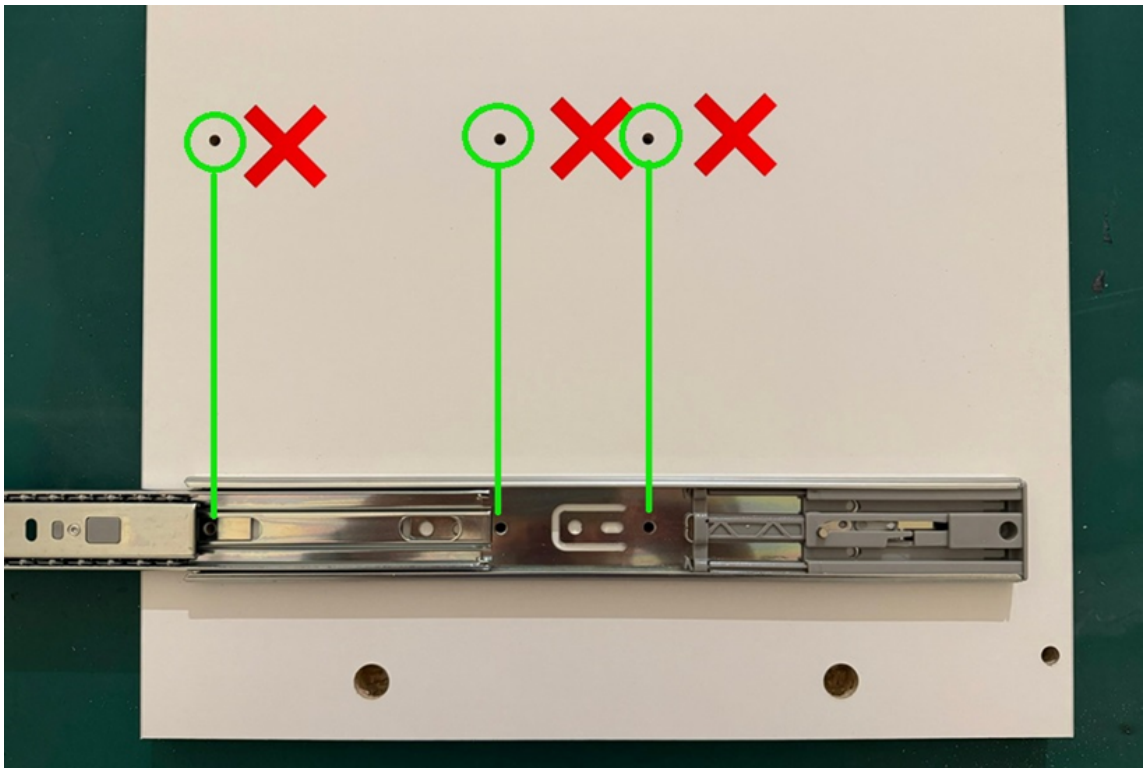
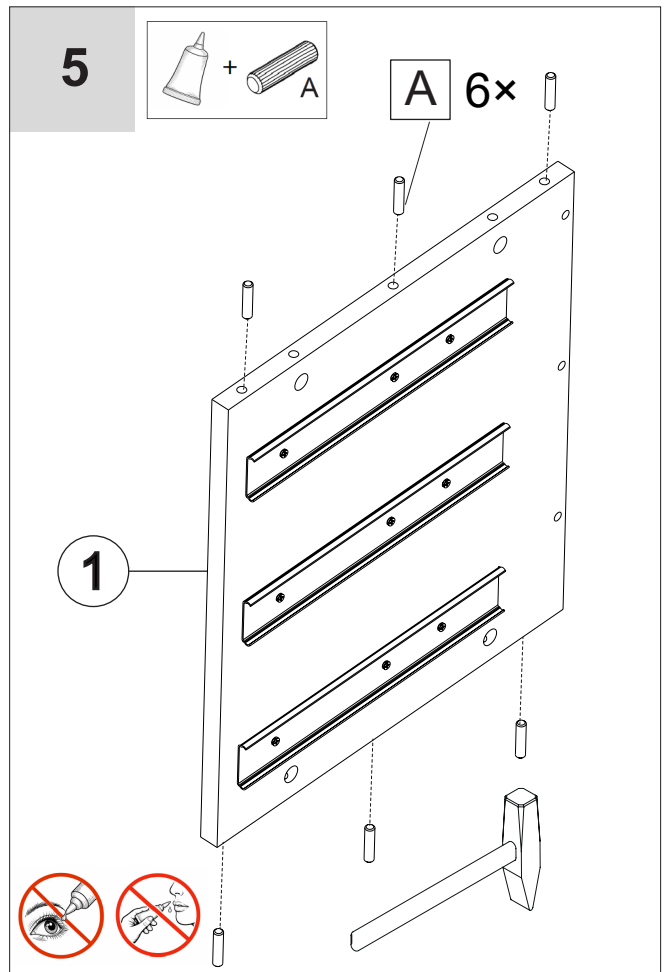
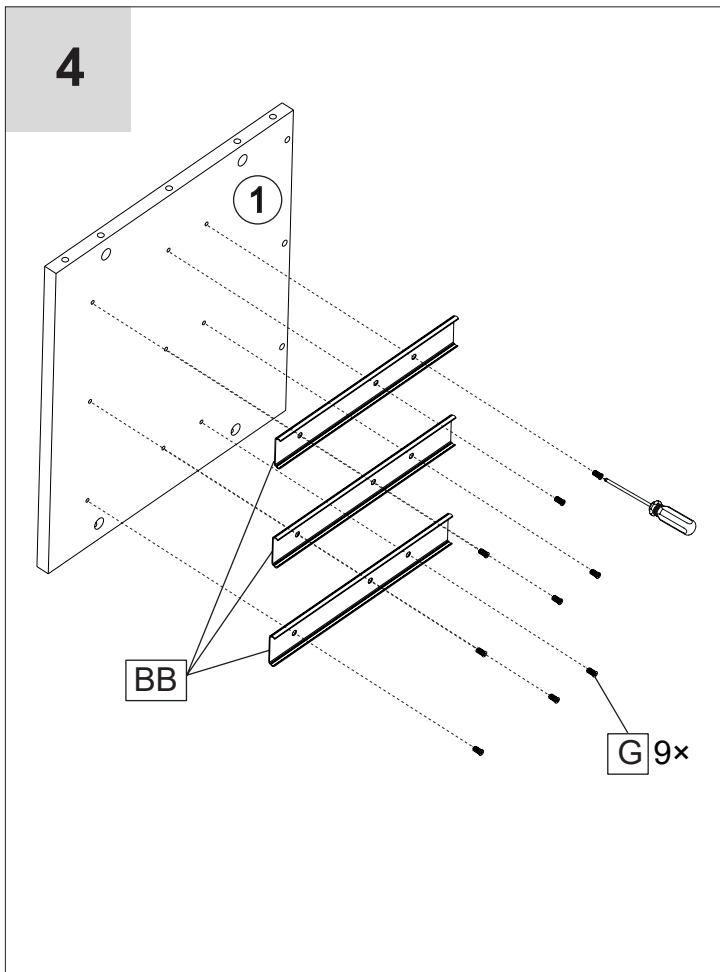
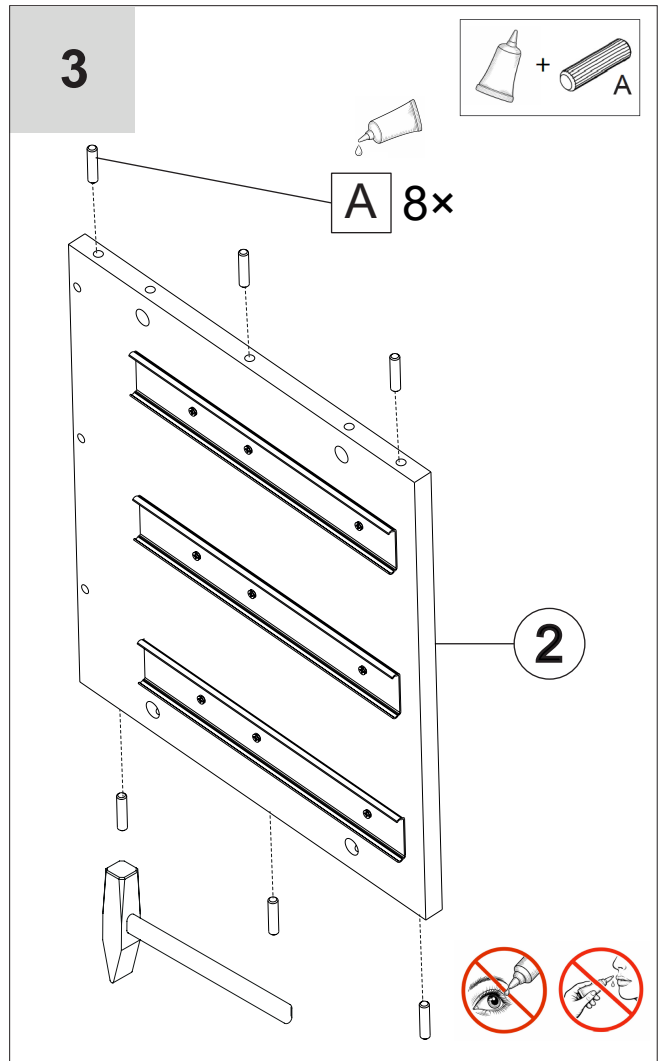
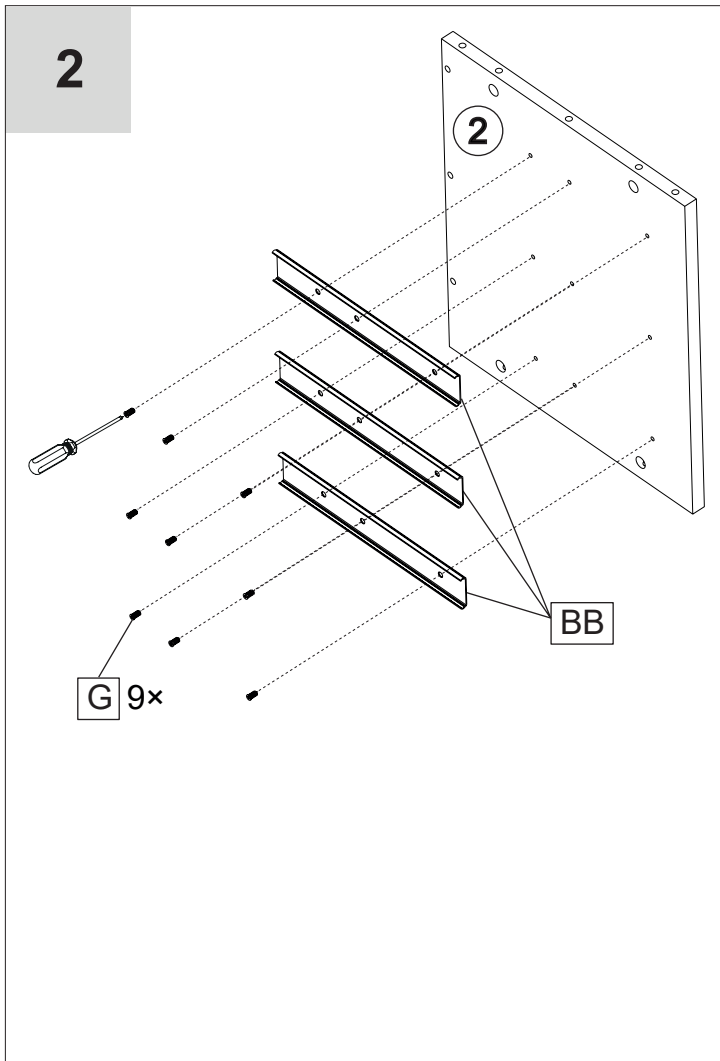
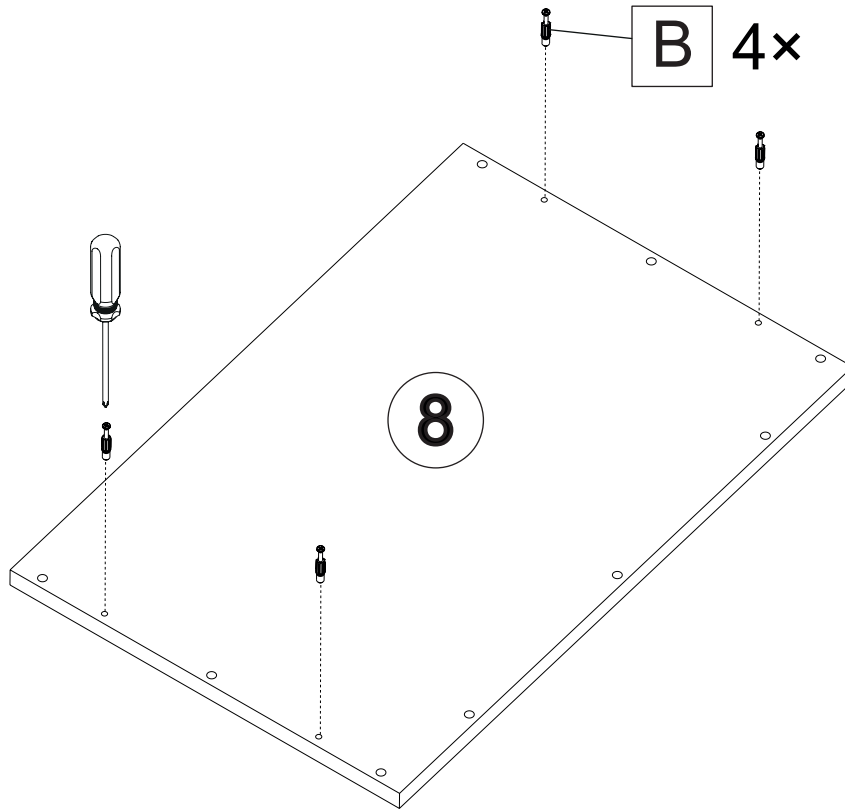
 Ø8 × 35	 Ø8 × 35	 Ø8 × 35	 Ø40 × 20	 Ø3,5 × 16	 516 × 298	 Ø6 × 13	 Ø6 × 13
A 36×	B 32×	C 32×	D 4×	E 46×	F 6×	G 36×	H 32×



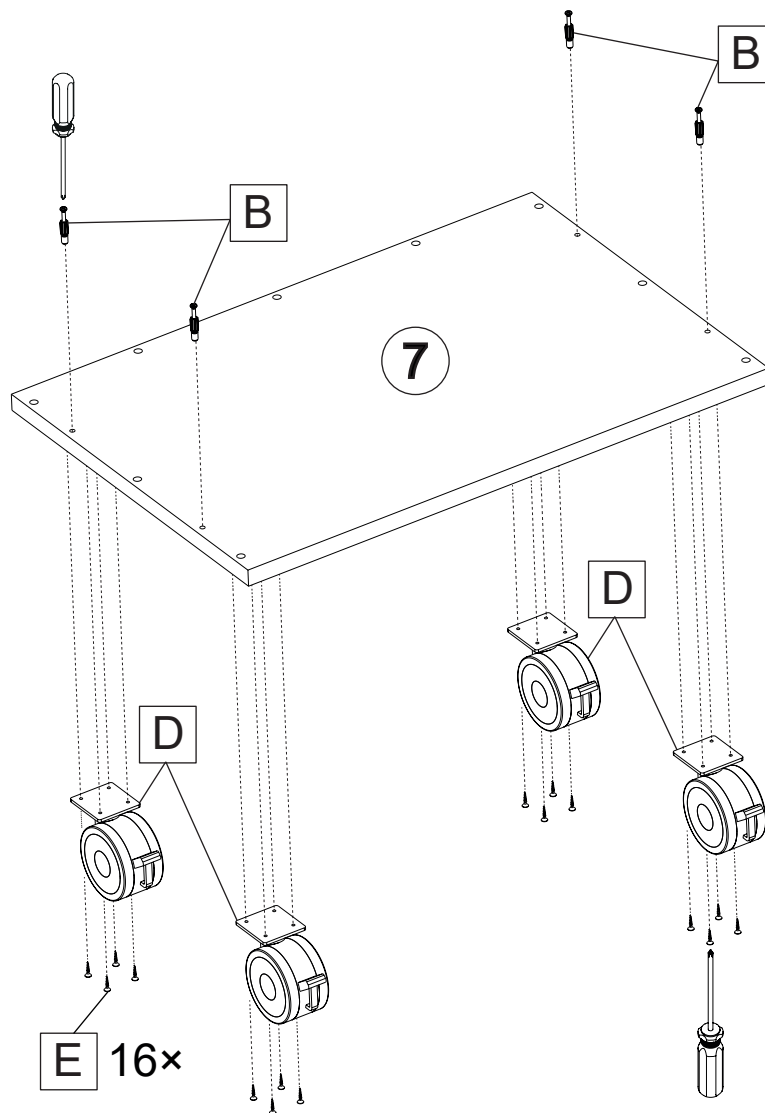




6

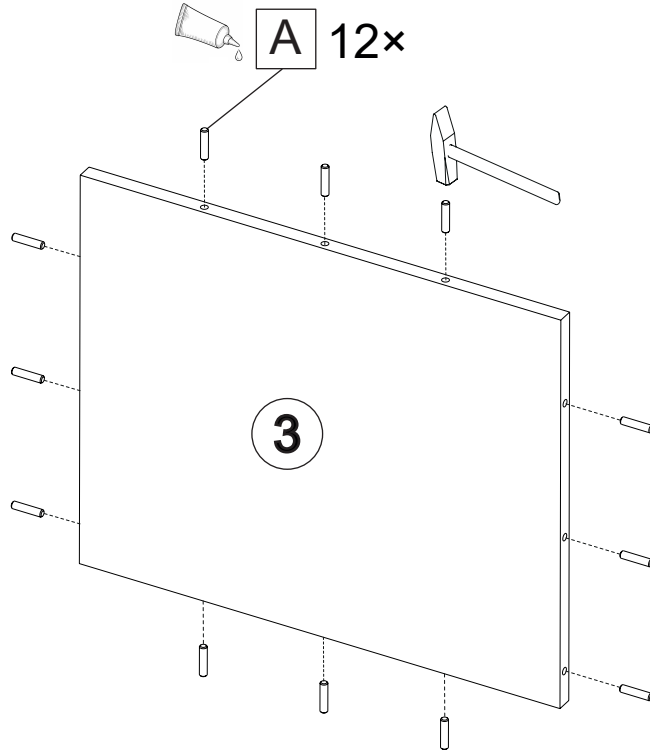
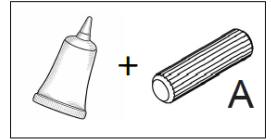


7

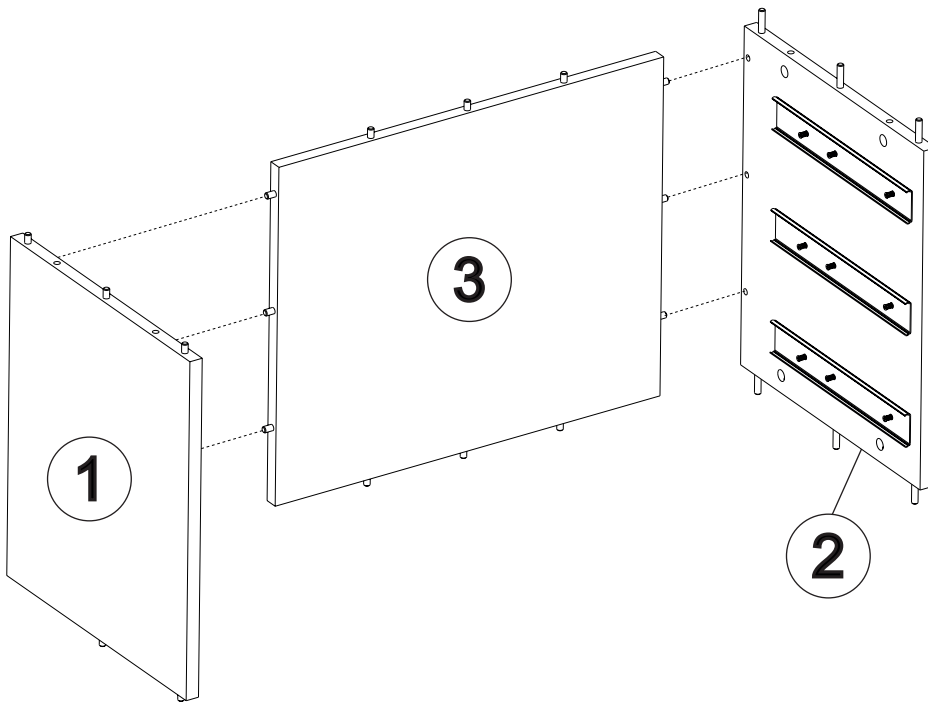


8

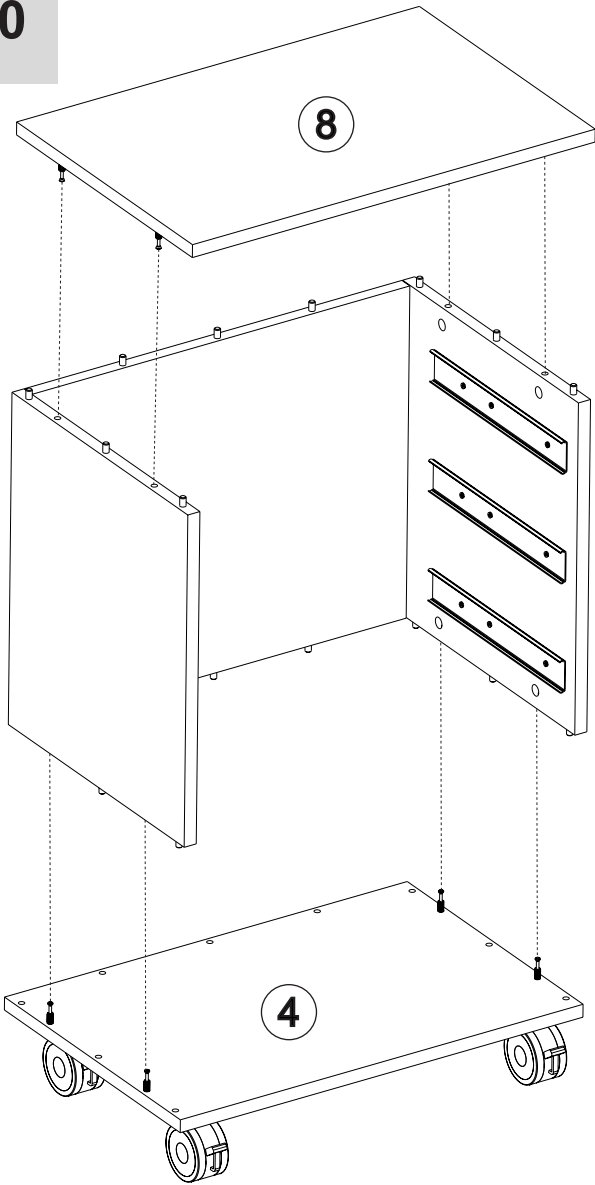
A 12x



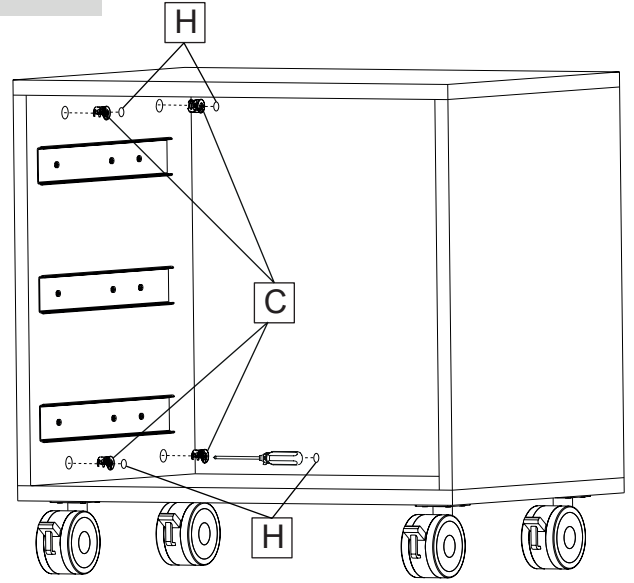
9



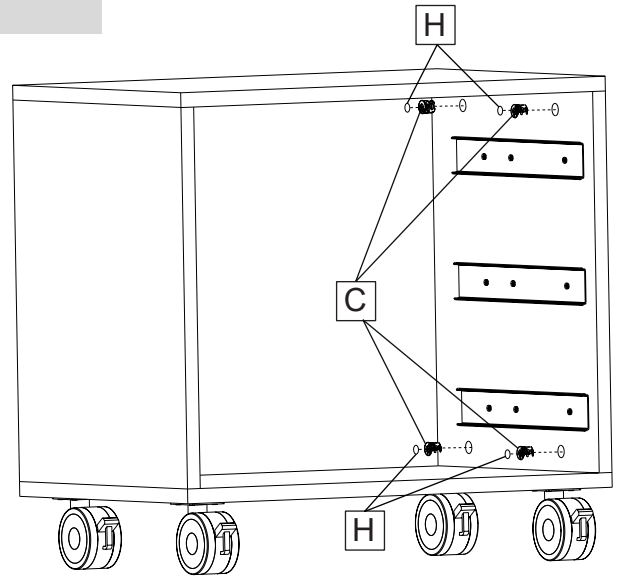
10



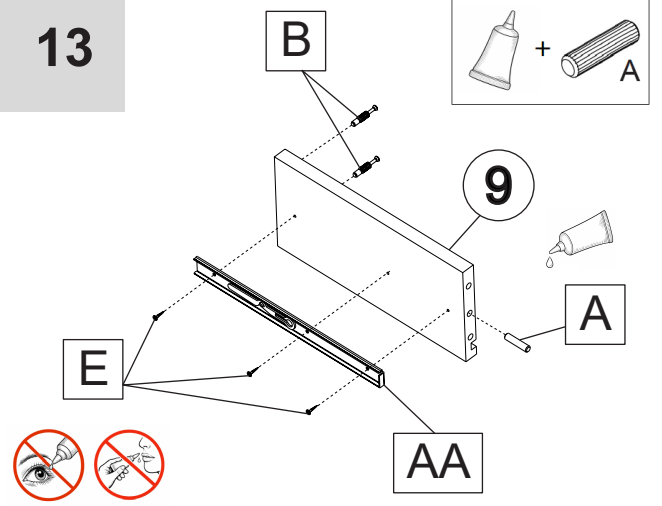
11



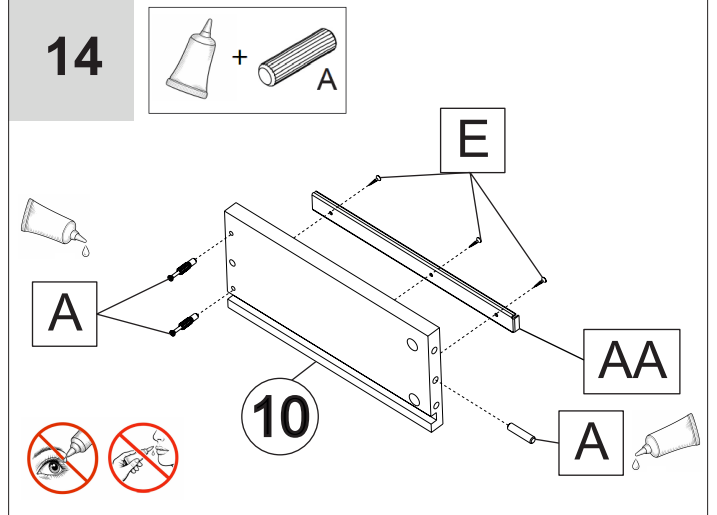
12



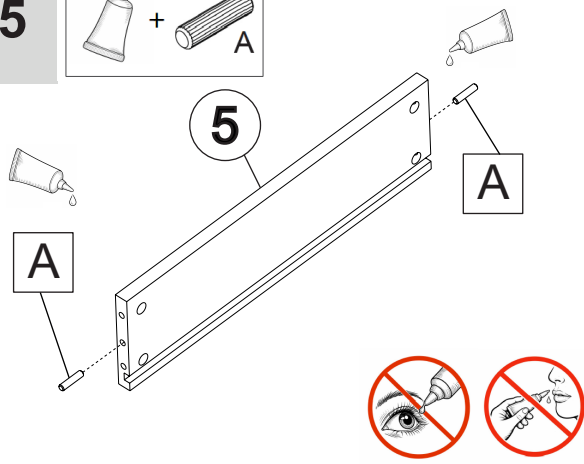
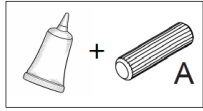
13



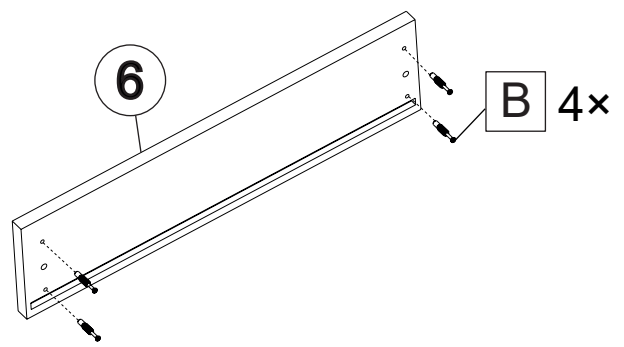
14



15



16



17

