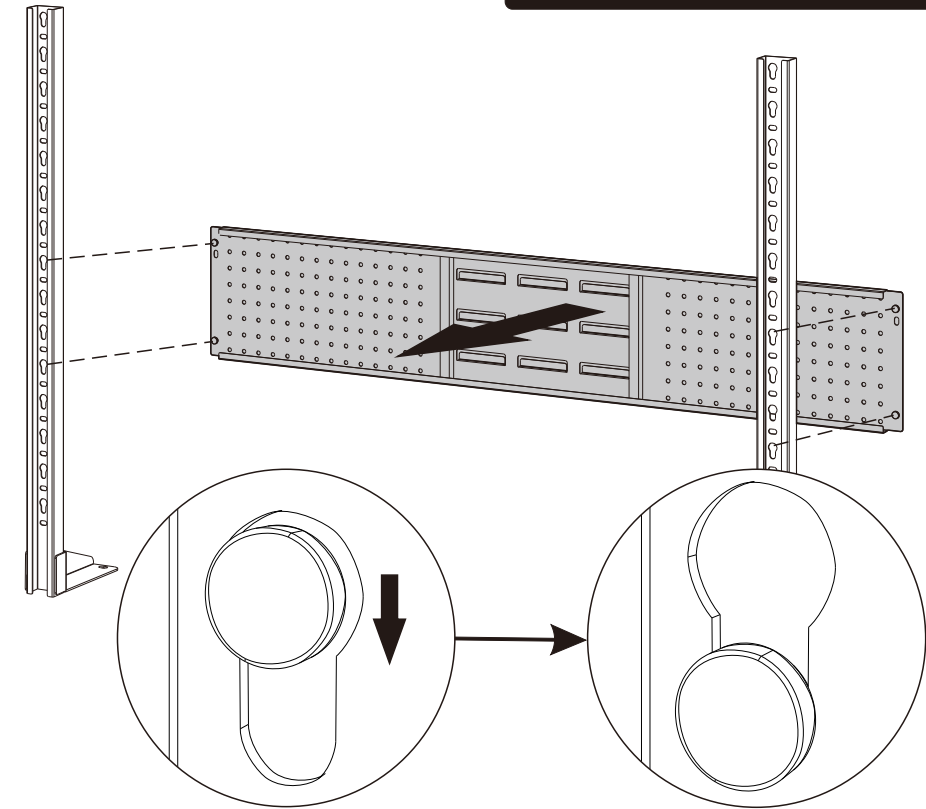


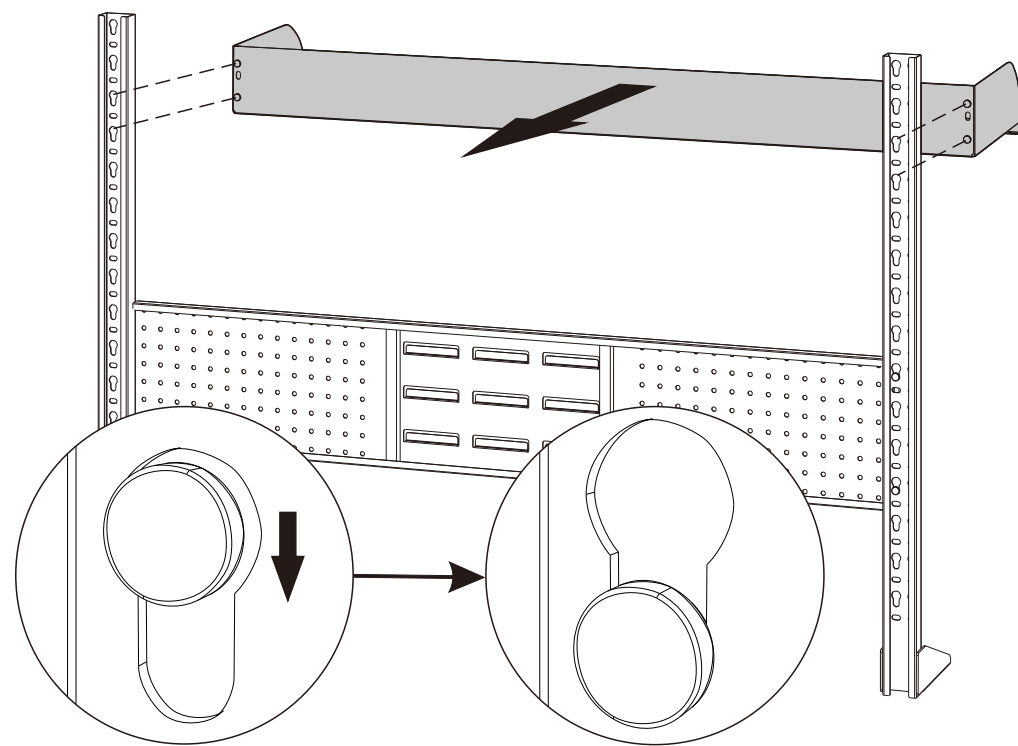
STEP3 Install perfbord

! If the step screw cannot be pressed down, tap lightly with a hammer.



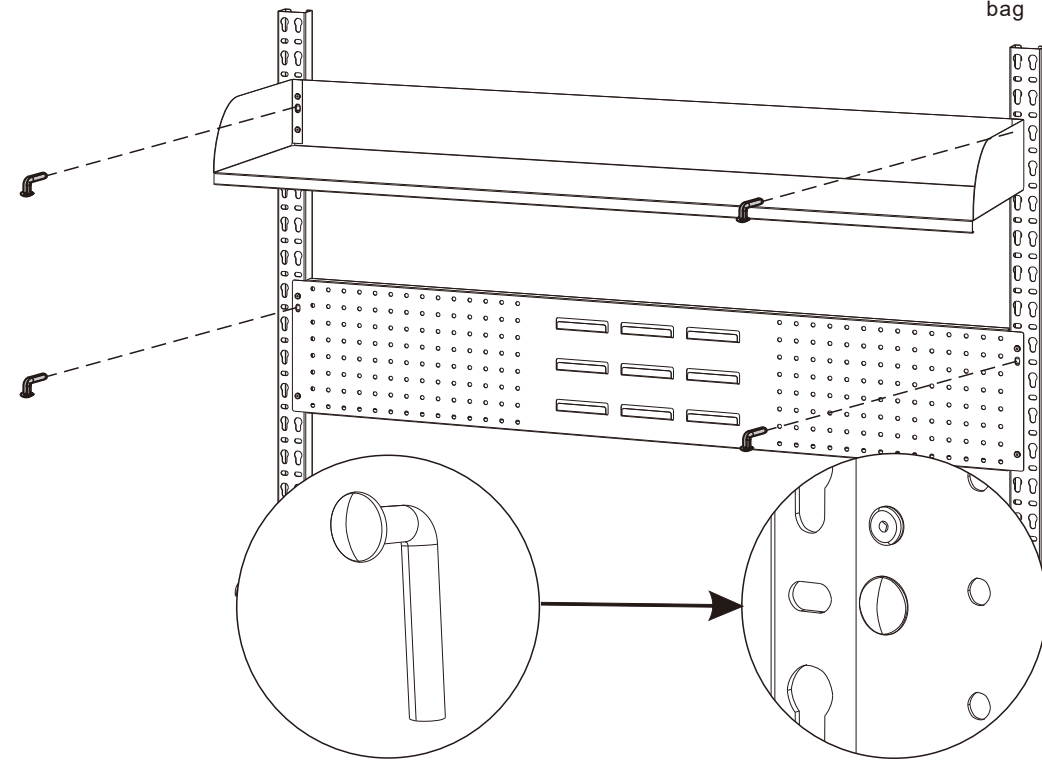
STEP4 Install perfbord

! If the step screw cannot be pressed down, tap lightly with a hammer.



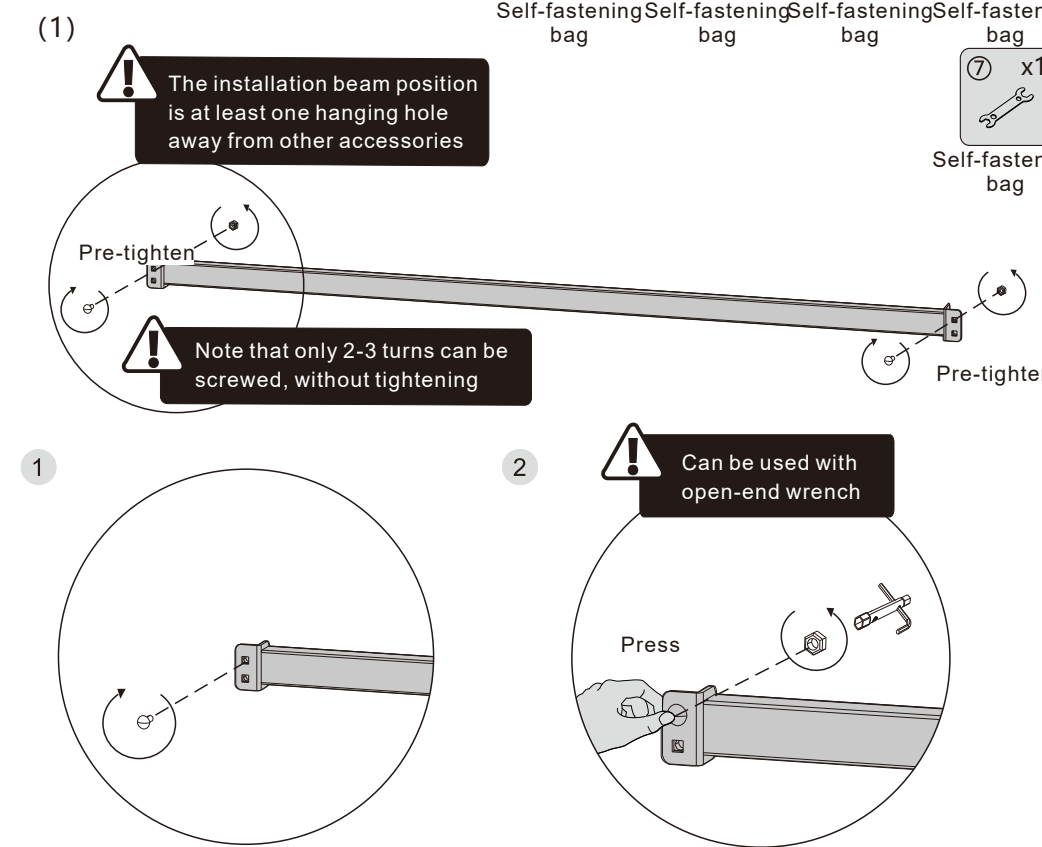
STEP5 Installation safety pin

7 x4
Self-fastening bag

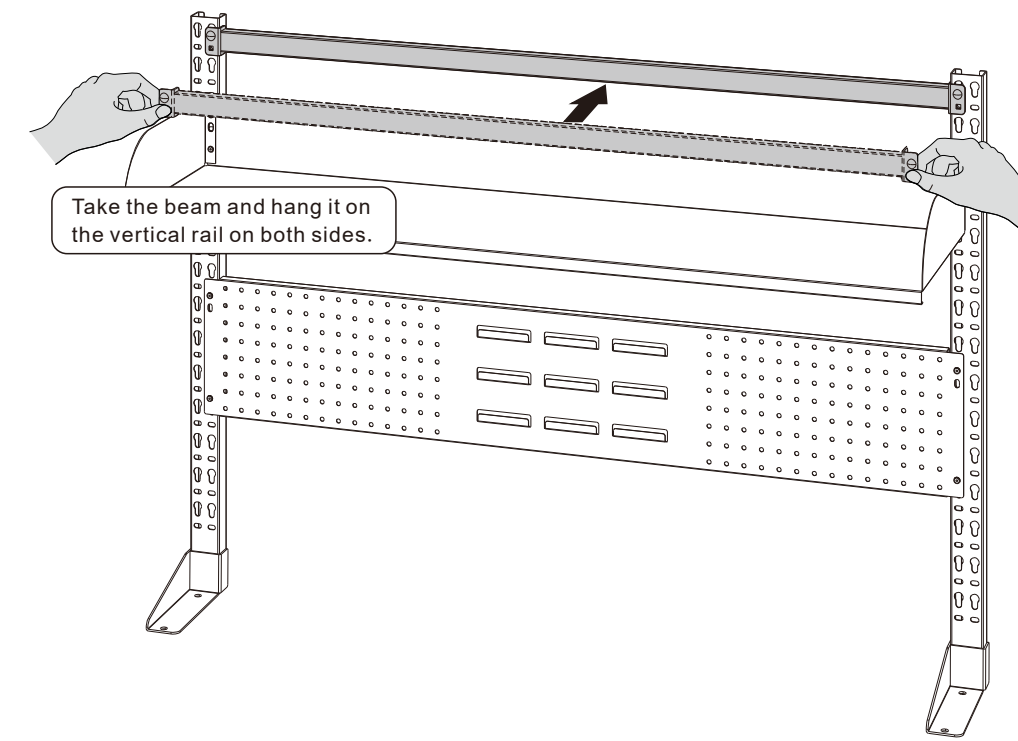


STEP6 Install the beam

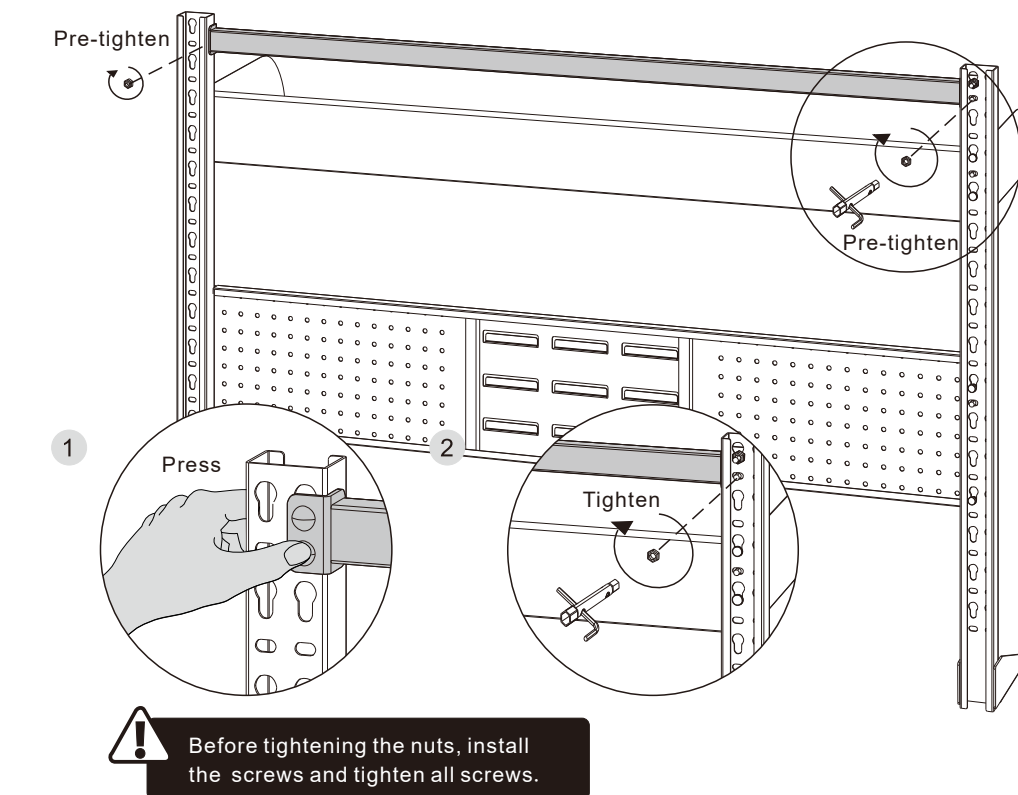
7 x4 Self-fastening bag
7 x4 Self-fastening bag
7 x1 **5X5** Self-fastening bag
7 x1 Self-fastening bag
7 x1 Self-fastening bag



(2)



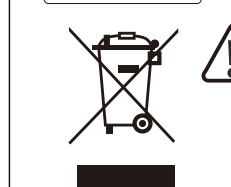
(3)



! Attention

1. Please read the instructions carefully before installation. If you have any questions about installing this product, please contact a professional for installation.
2. This product must be installed on the desktop. Before installation, please be sure to confirm that the load-bearing capacity of the installation surface shall not be less than the maximum load-bearing capacity of the product. 100pounds, otherwise please reinforce the installation surface in advance to avoid product damage or personal injury.
3. Fasteners used for product assembly and installation should be inspected and tightened at least every 6 months.
4. Stack items evenly on the platform, place heavy items near the vertical rails on both sides, and place light items near the center of the platform.
5. Children are not allowed to play on this product. Some behaviors of children playing on the product are unpredictable, and the manufacturer is not responsible for the dangerous consequences caused by this.
6. Operate with an understanding of the relevant hazards. Children 14 years old or younger and persons with physical or sensory impairments or unsound minds should use it under correct supervision and guidance.
7. This product contains some small parts, which may cause a choking hazard if swallowed accidentally. Please keep these small parts away from children.
8. Please make sure your operating environment is free of any sources of danger, such as not leaving your tools lying around. And always handle packaging materials with caution to avoid various possible hazards, such as possible suffocation hazards caused by children playing with plastic bags.
9. The company is not responsible for any damage caused by the use of non-original accessories, improper installation, overloading, or continued use due to product failure.

Waste disposal



This marking indicates that this product should not be disposed with other household wastes. To prevent possible harm to the environment or human health from uncontrolled waste disposal, recycle it responsibly to promote the sustainable reuse of material resources. To return your used device, please use the return and collection systems or contact the retailer where the product was purchased. They can take this product for environmental safe recycling.