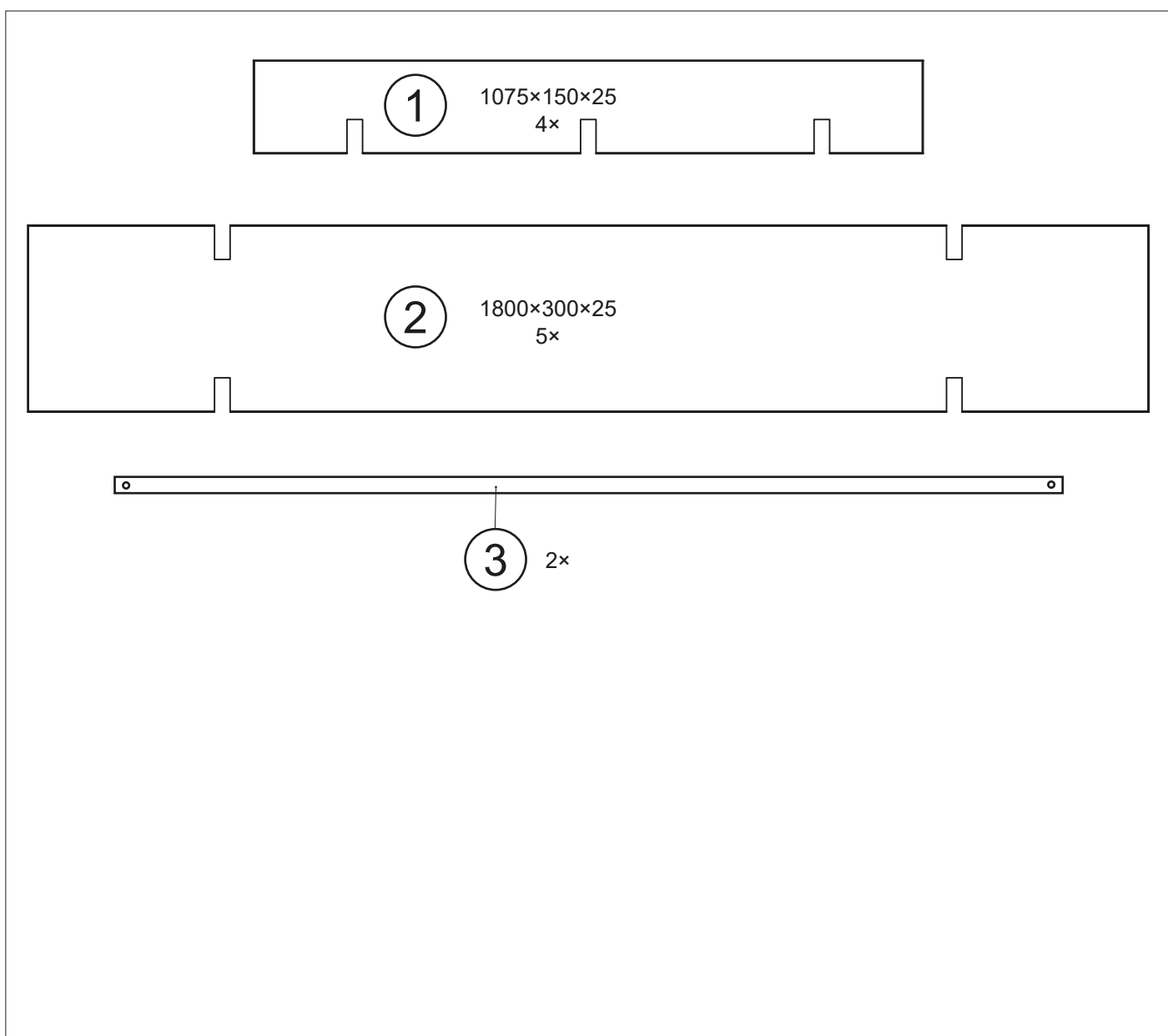
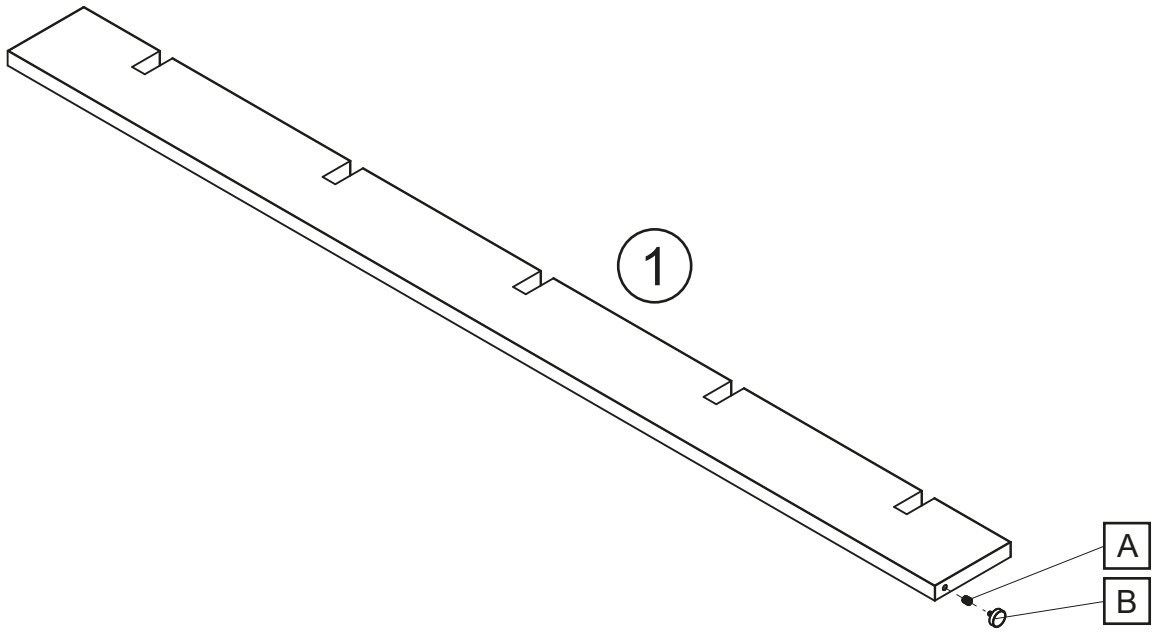


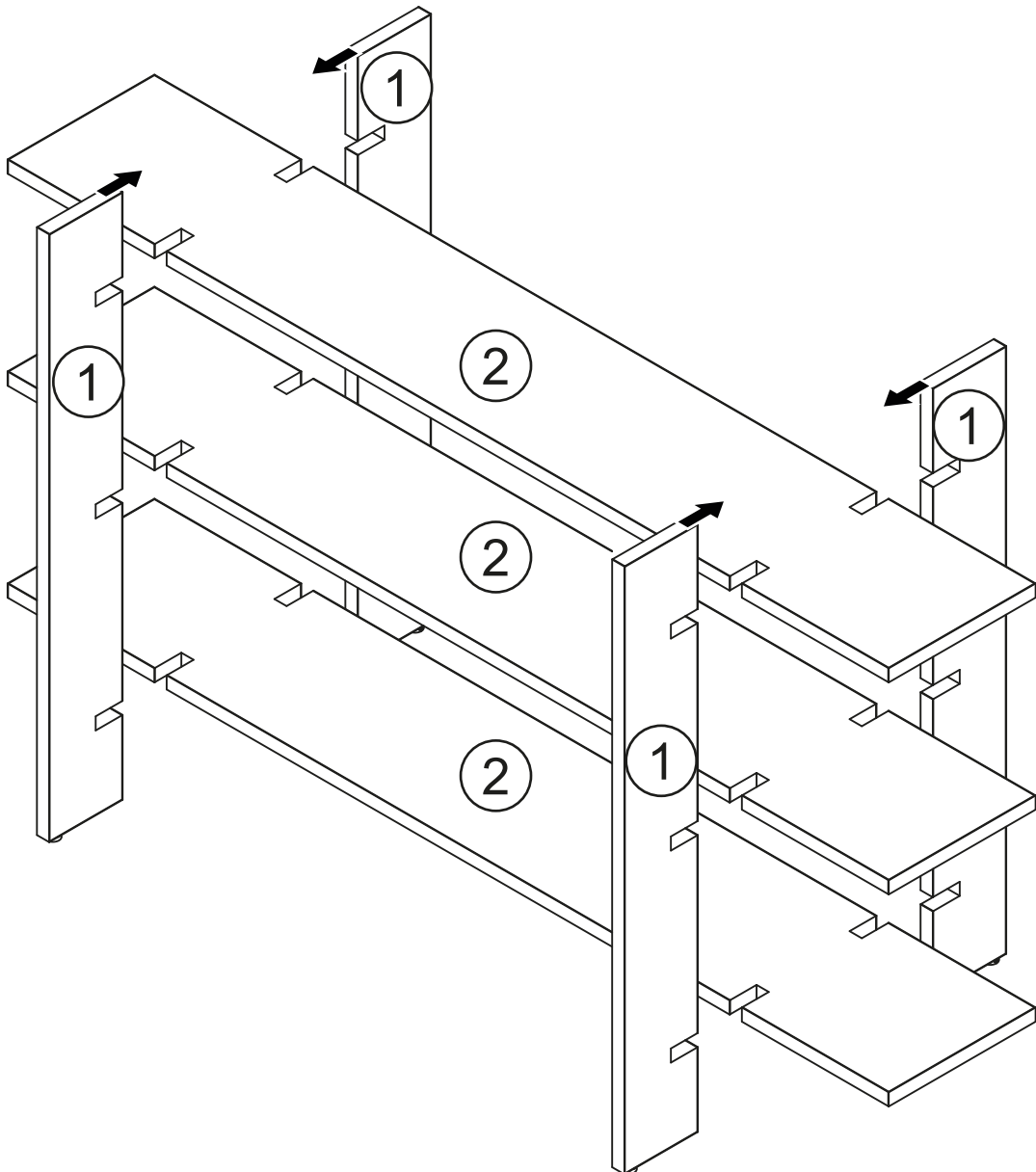
A	B	C
4x	4x	4x
		Ø5 x 20



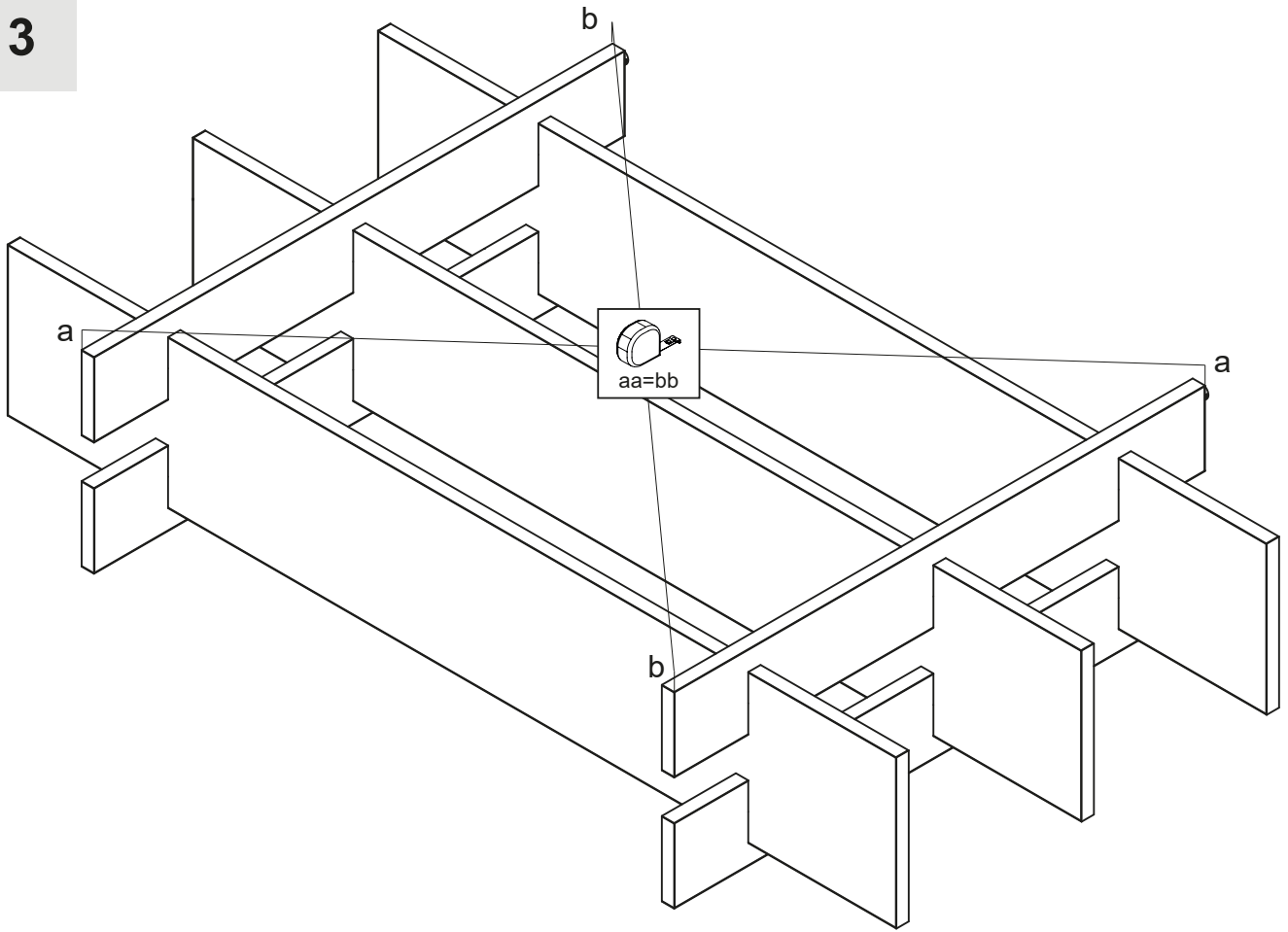
1



2



3



4

