











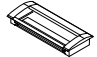
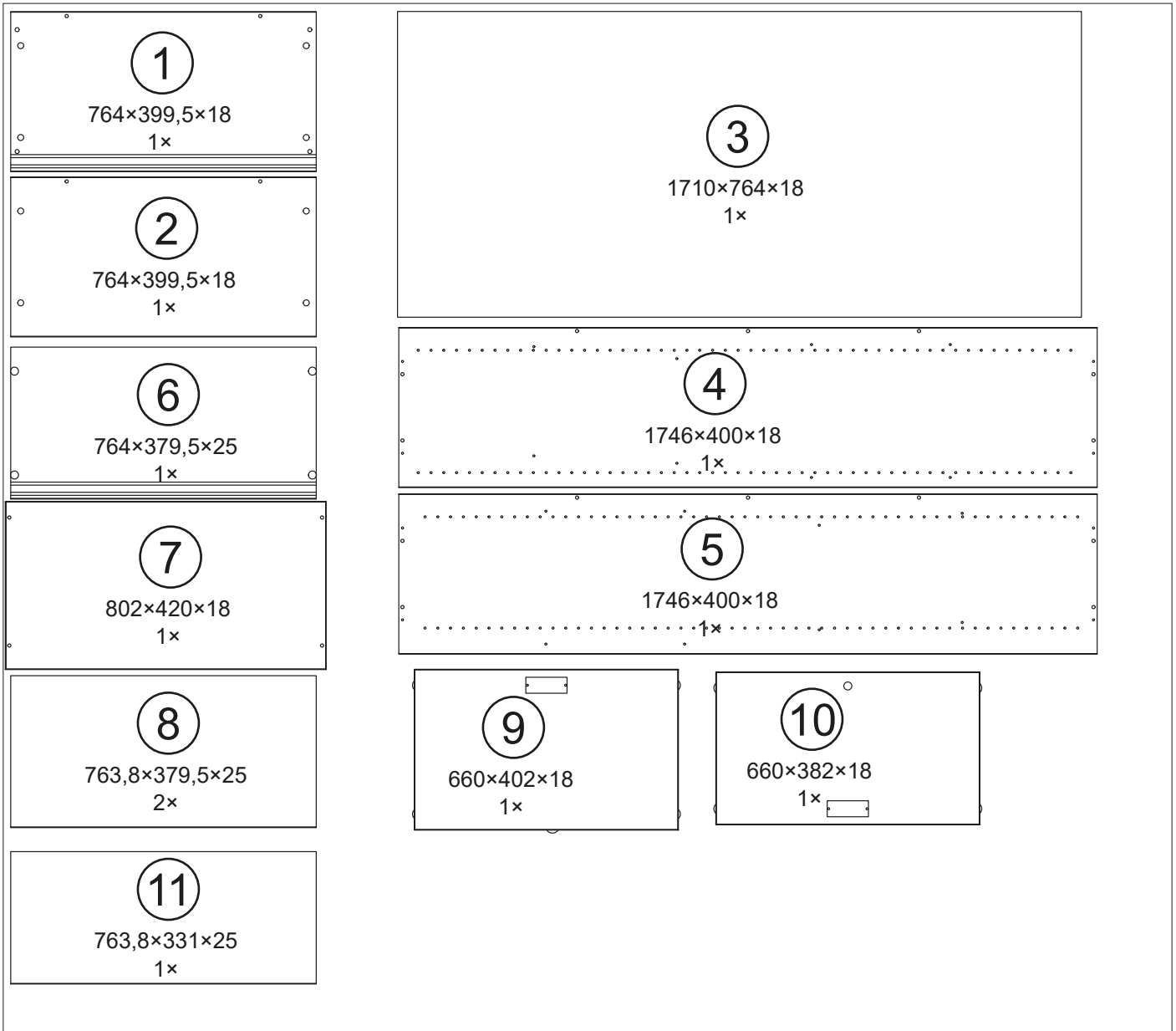
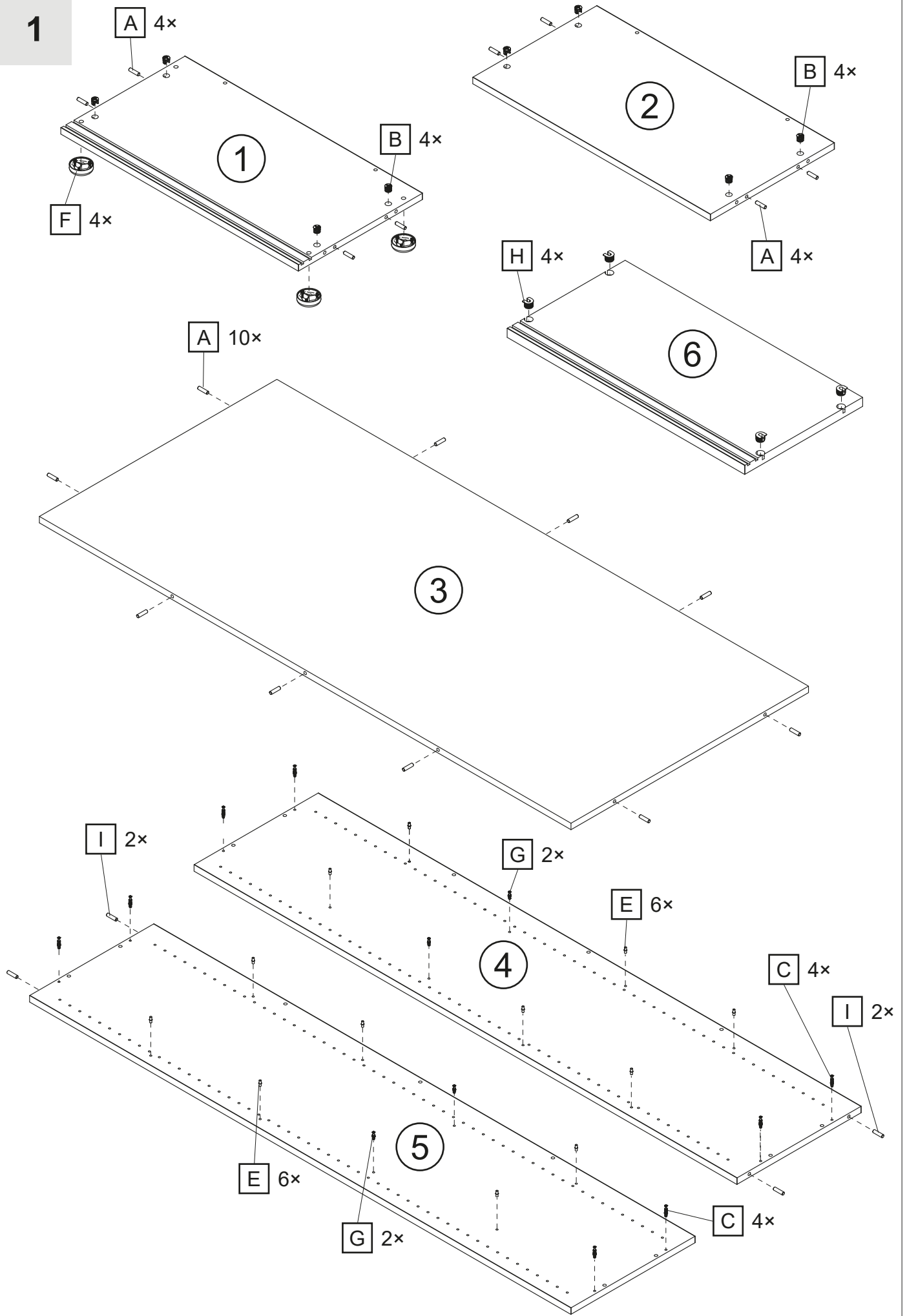
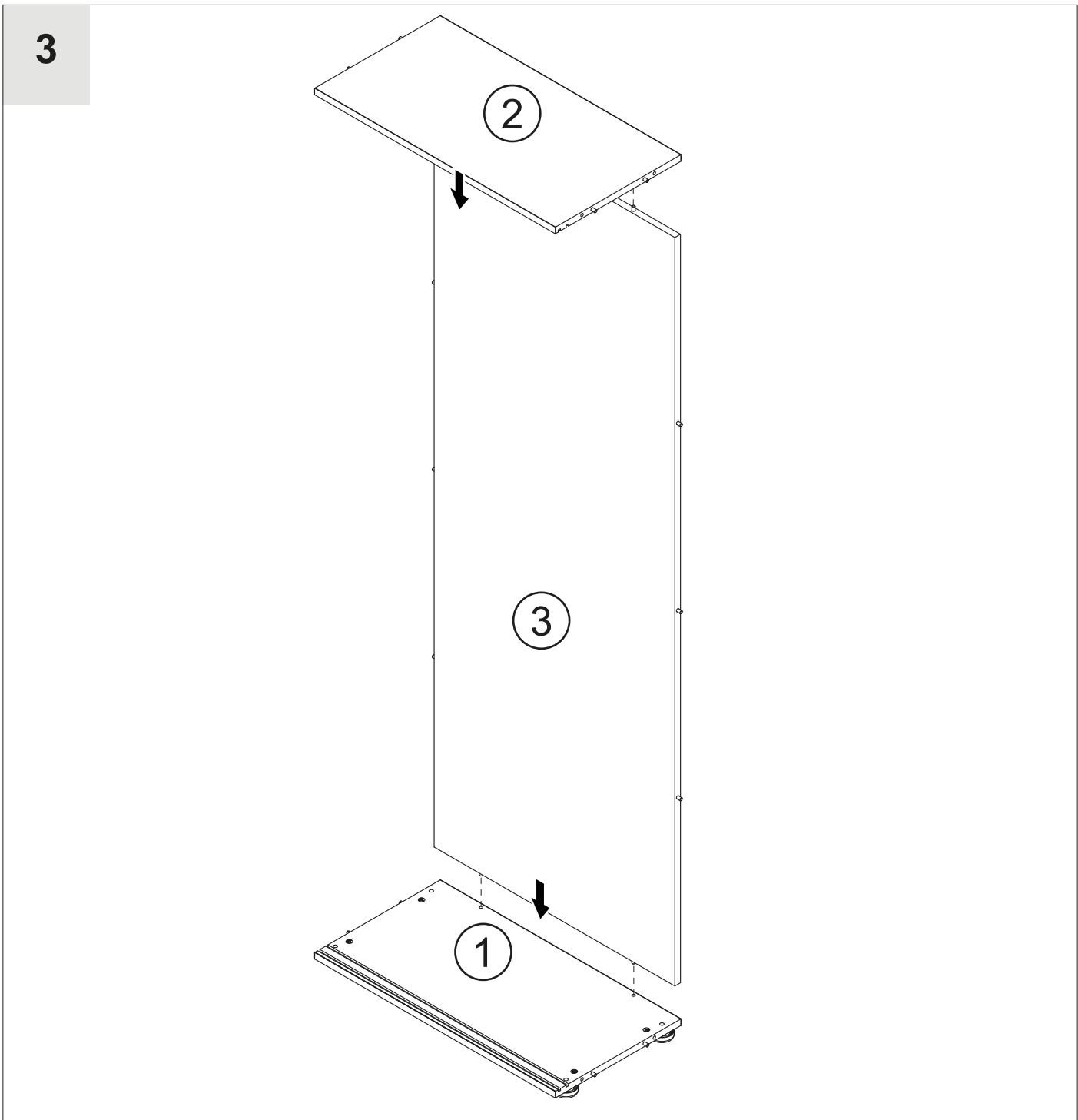
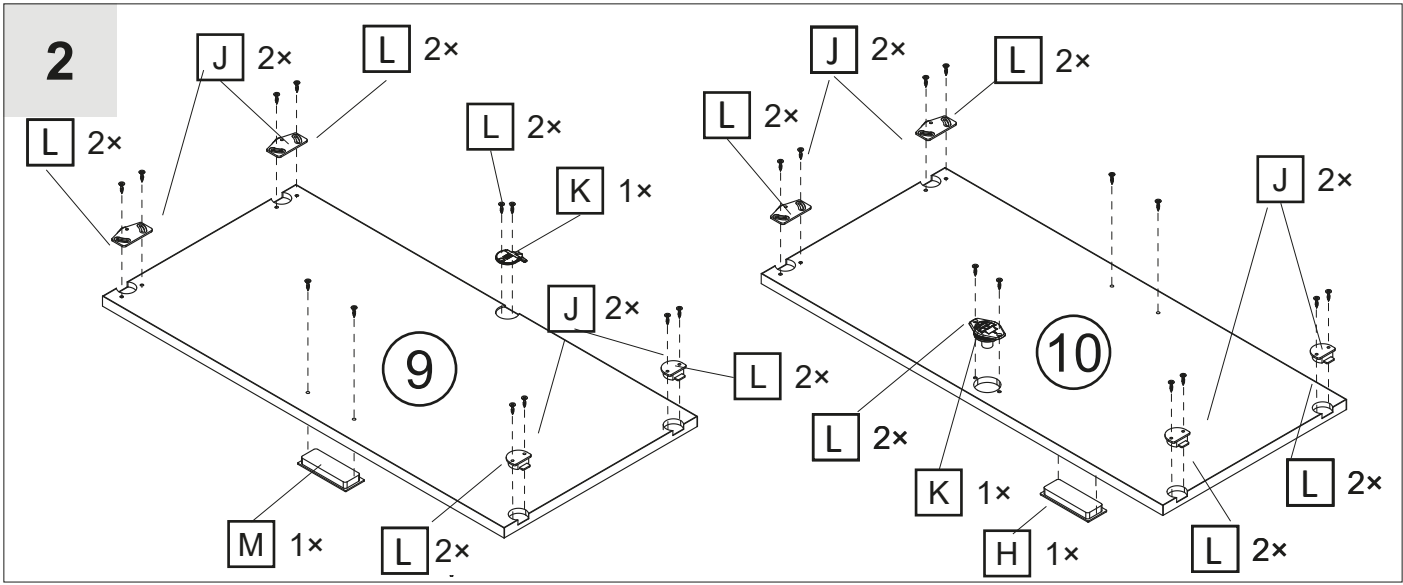


| | | | | | | | |
|---|---|---|---|---|---|---|---|
|  |  |  |  |  |  |  |  |
| Ø8 × 35 | | Ø8 × 24 | | | | | |
| A 18× | B 8× | C 8× | D 8× | E 12× | F 4× | G 4× | H 4× |
|  |  |  |  |  | | | |
| Ø8 × 27 | | | Ø3,5 × 16 | | | | |
| I 4× | J 4× | K 1× | L 20× | M 2× | | | |

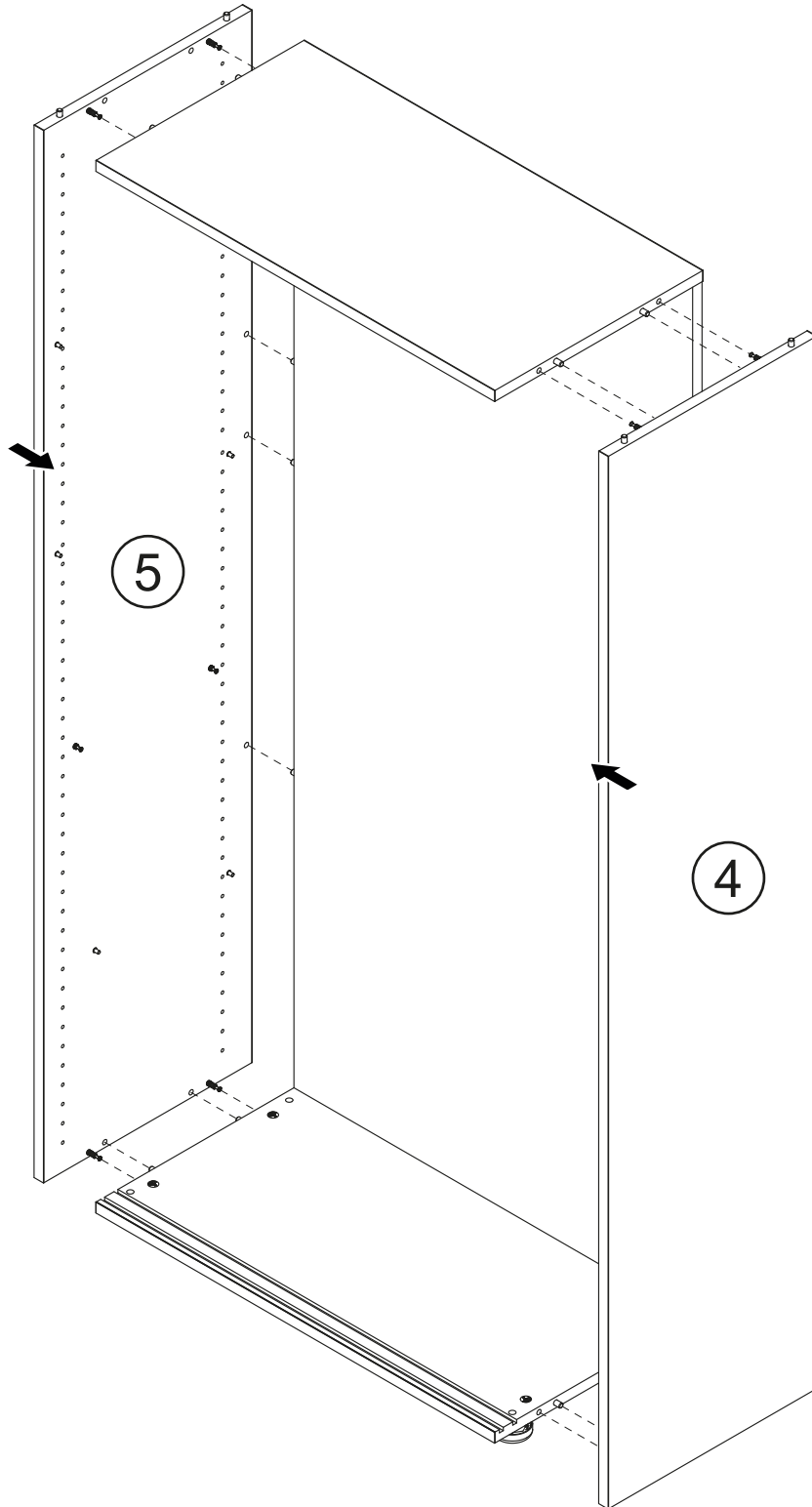


1

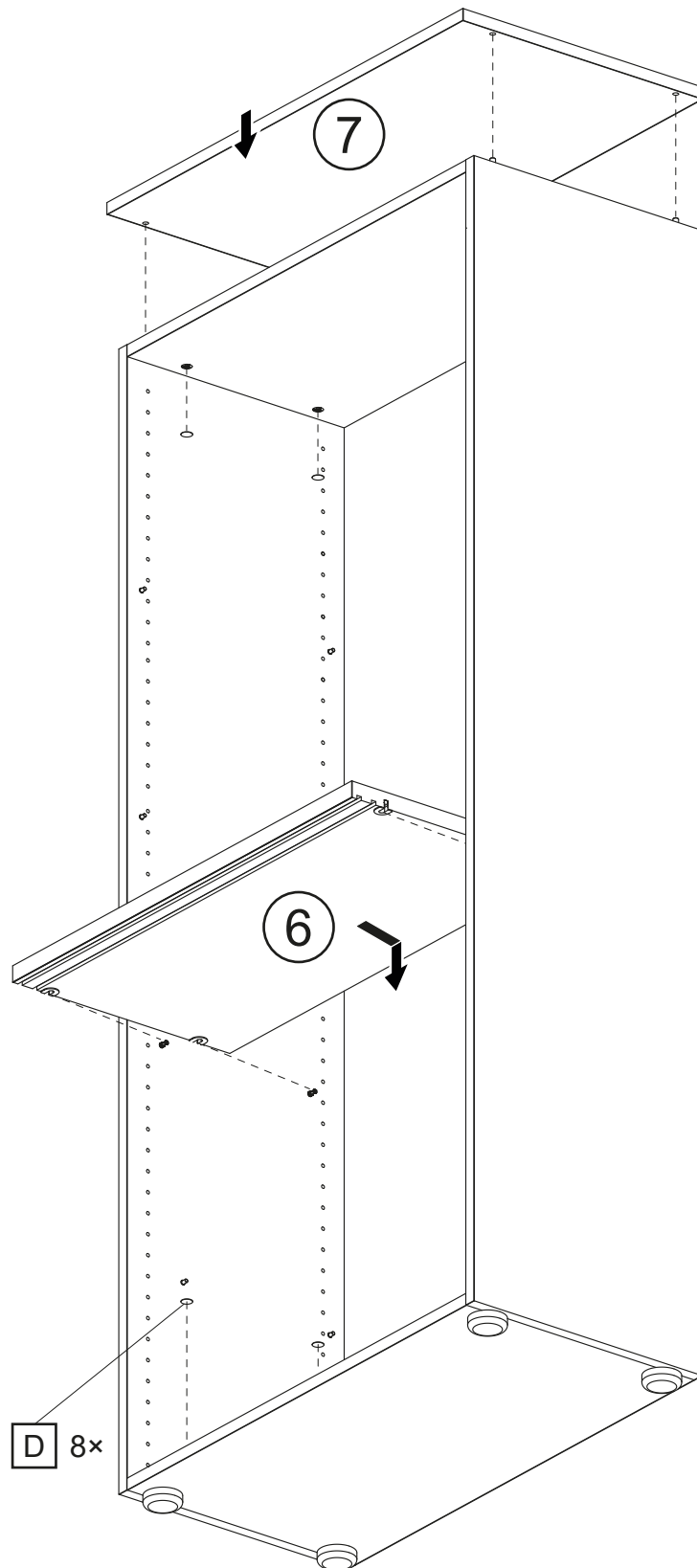




4



5



6

