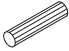
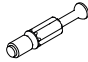


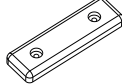

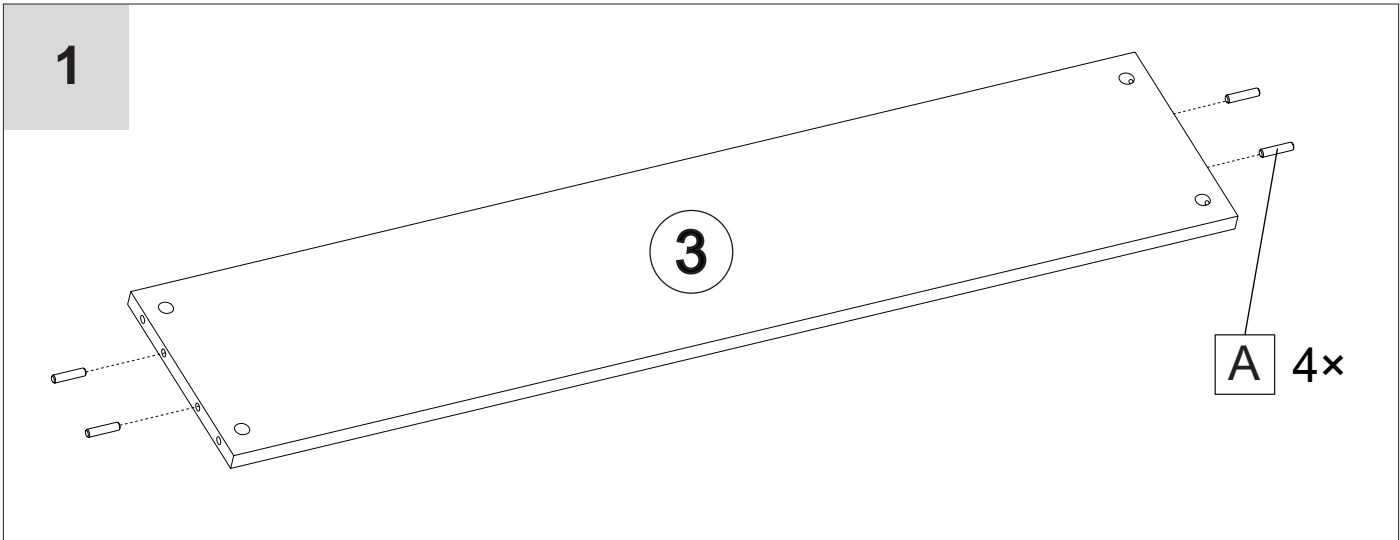
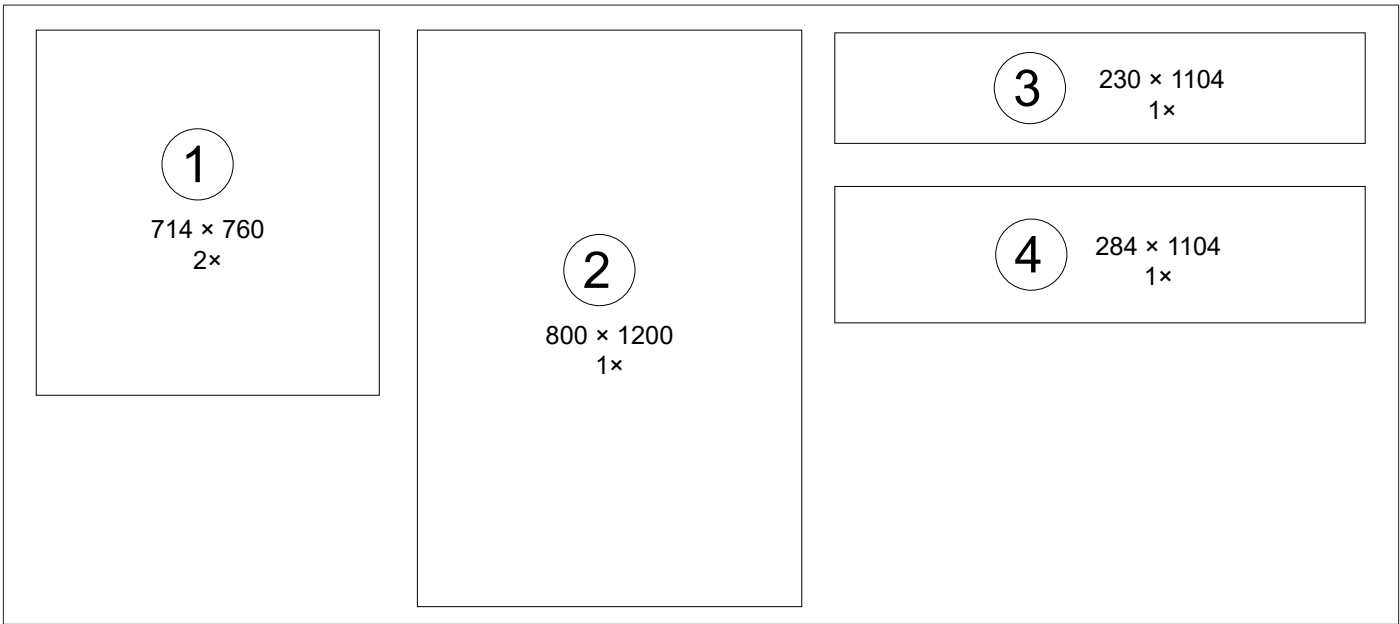
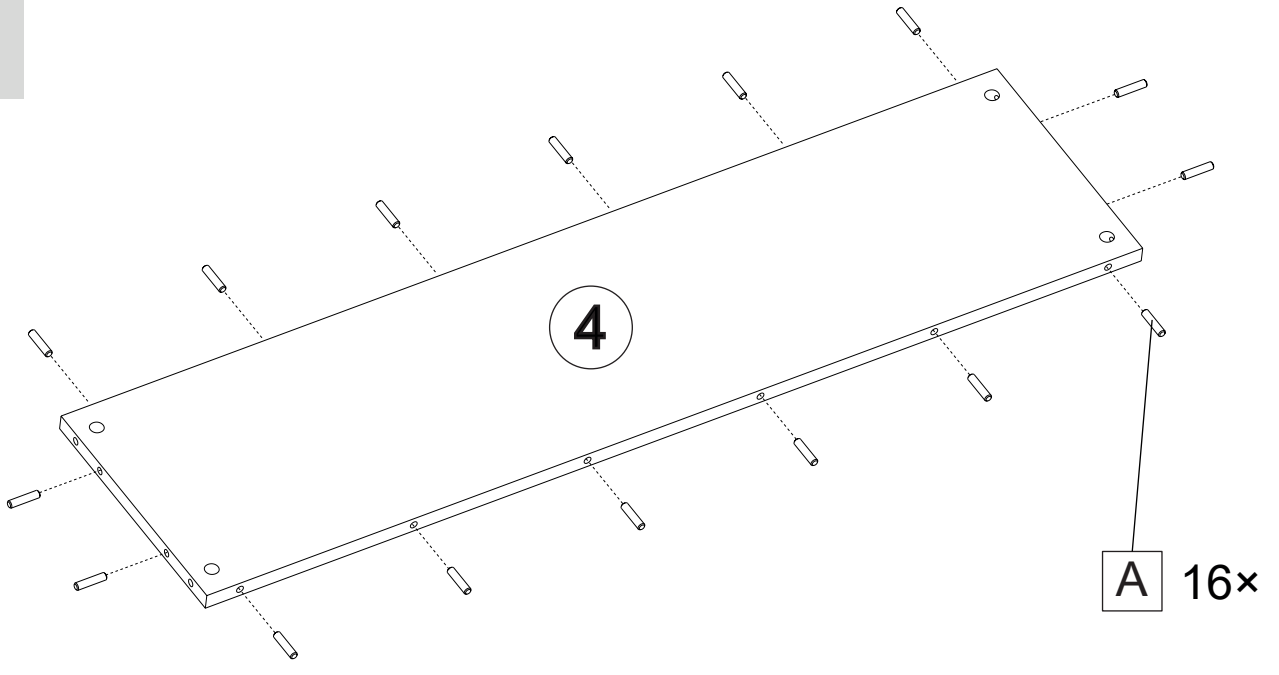


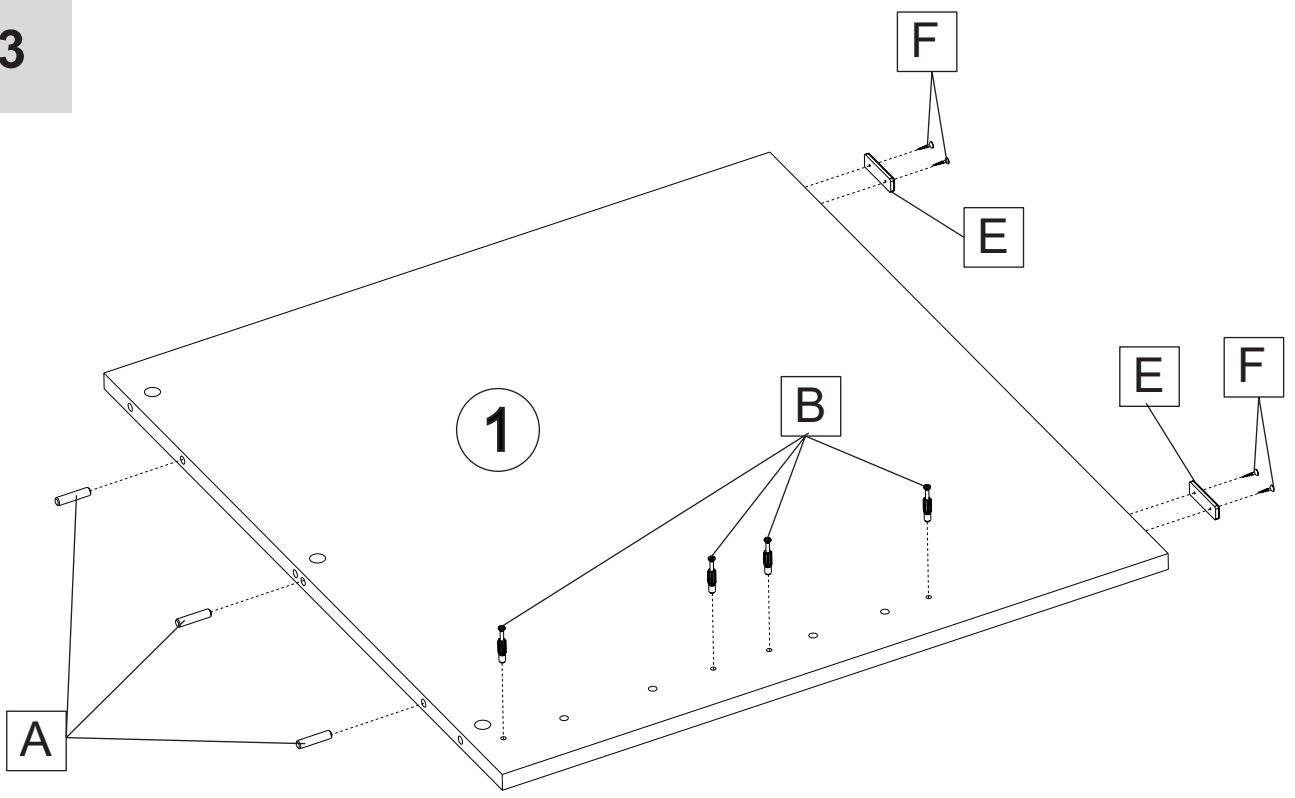
|   |   |   |   |   |   |
|---|---|---|---|---|---|
|  |  |  |  |  |  |
| Ø8 × 35   |   |   |   |   | Ø3,5 × 16   |
| A 22×   | B 14×   | C 14×   | D 14×   | E 4×  | F 8×  |



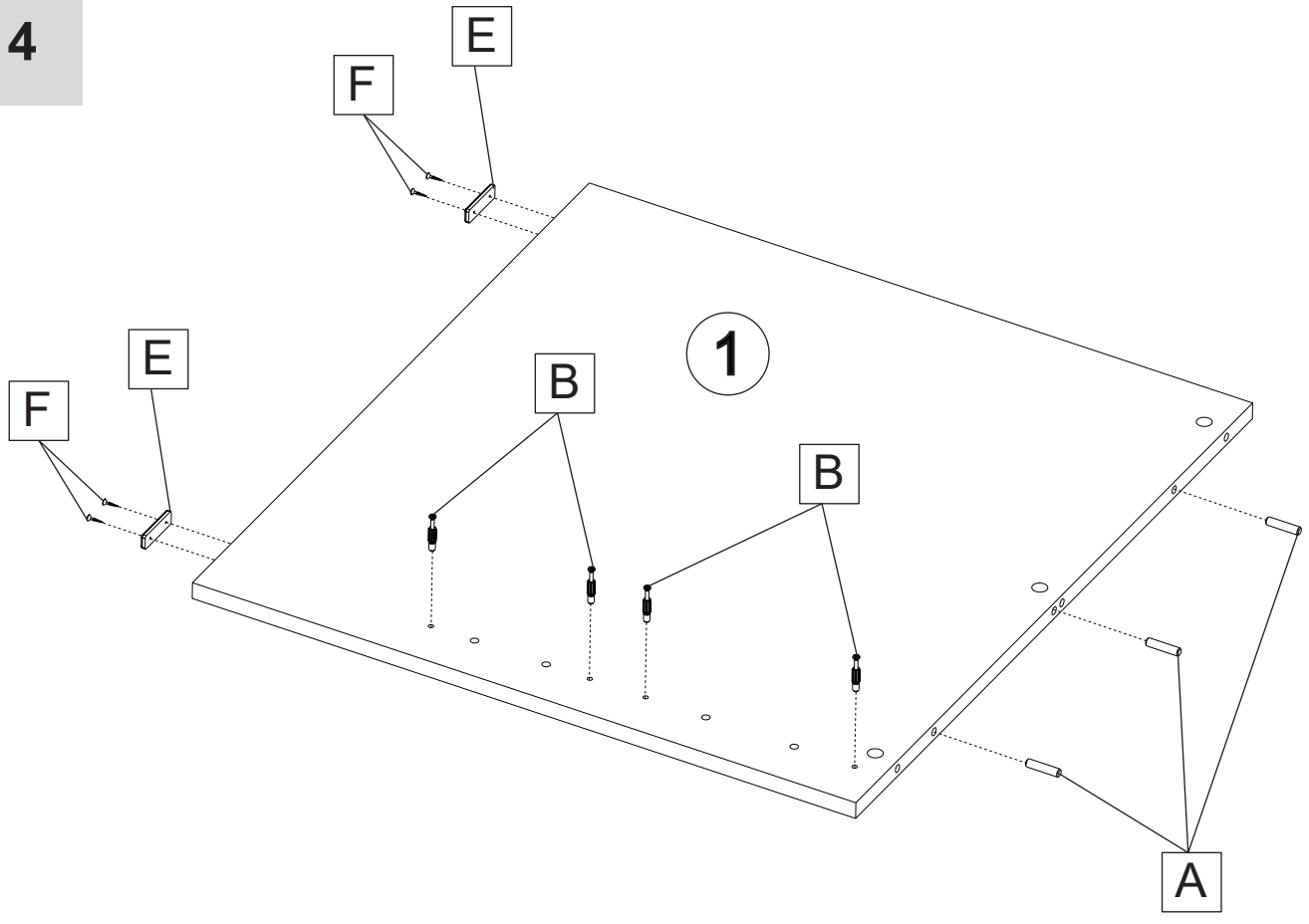
2



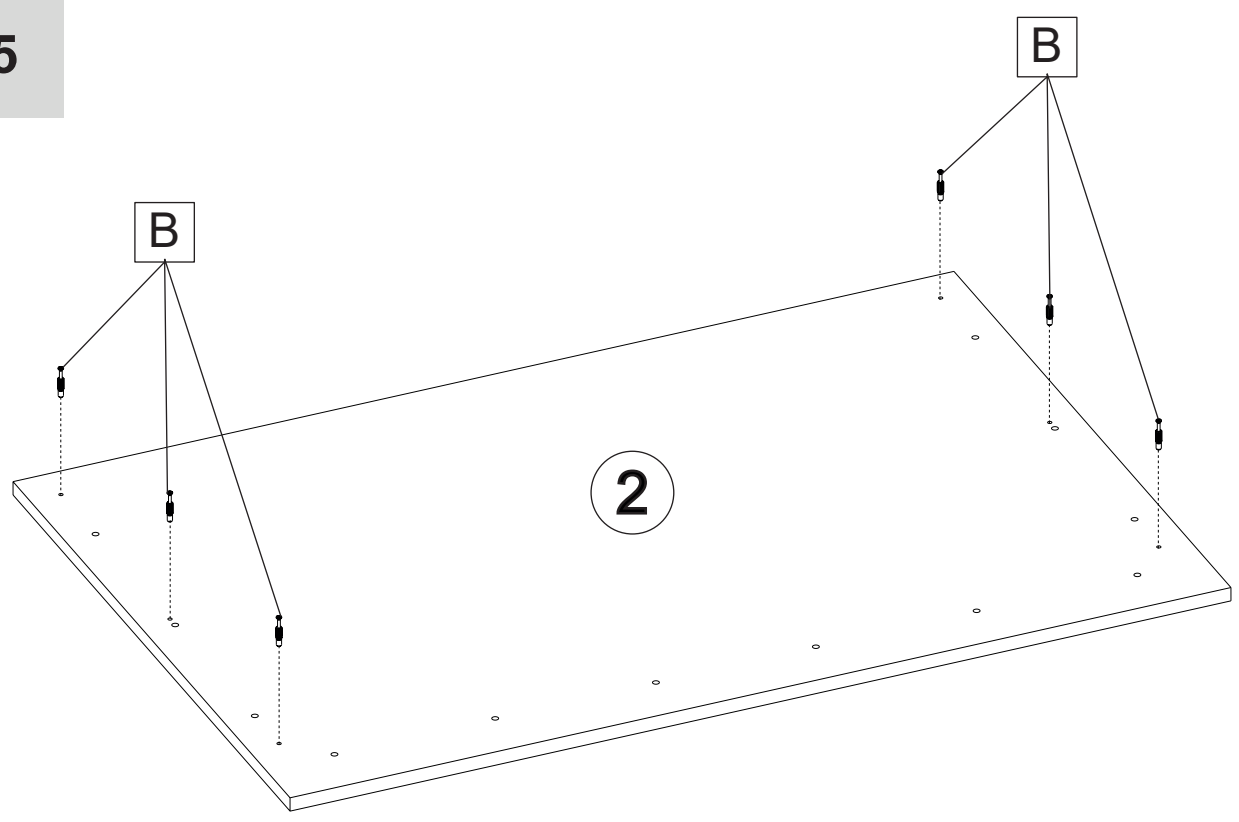
3



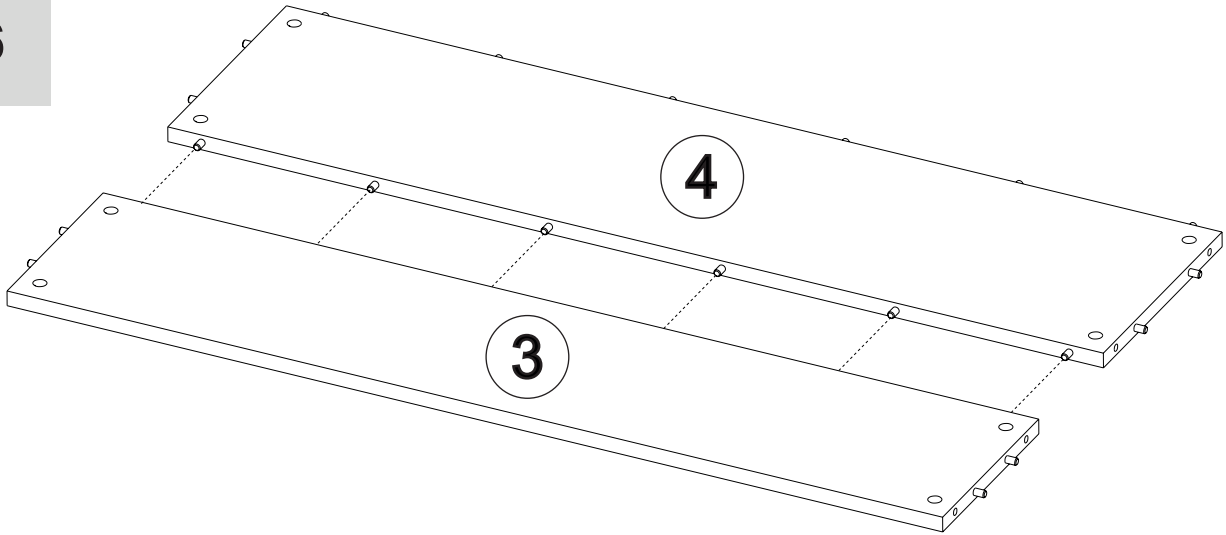
4



5



6



7

