








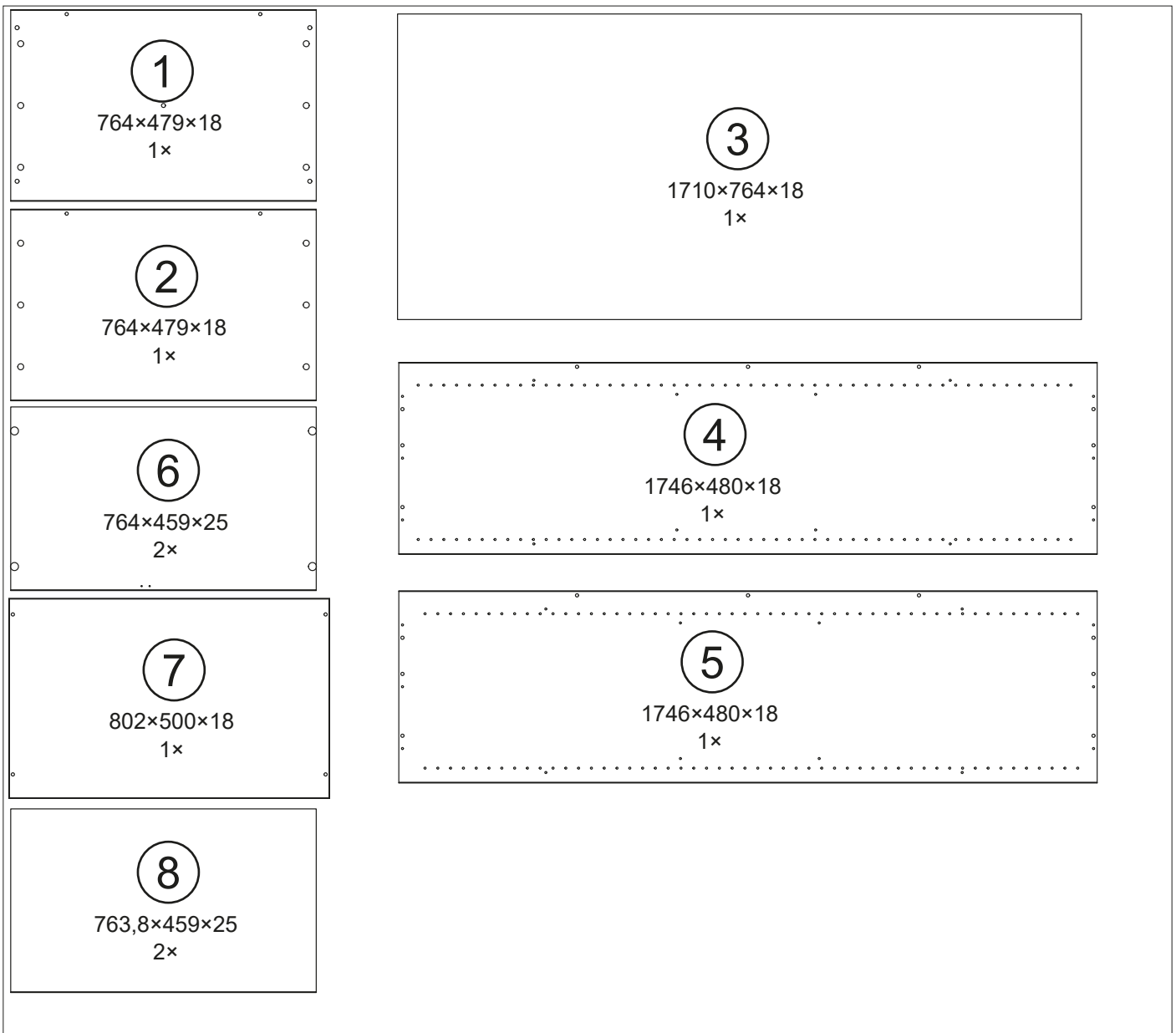
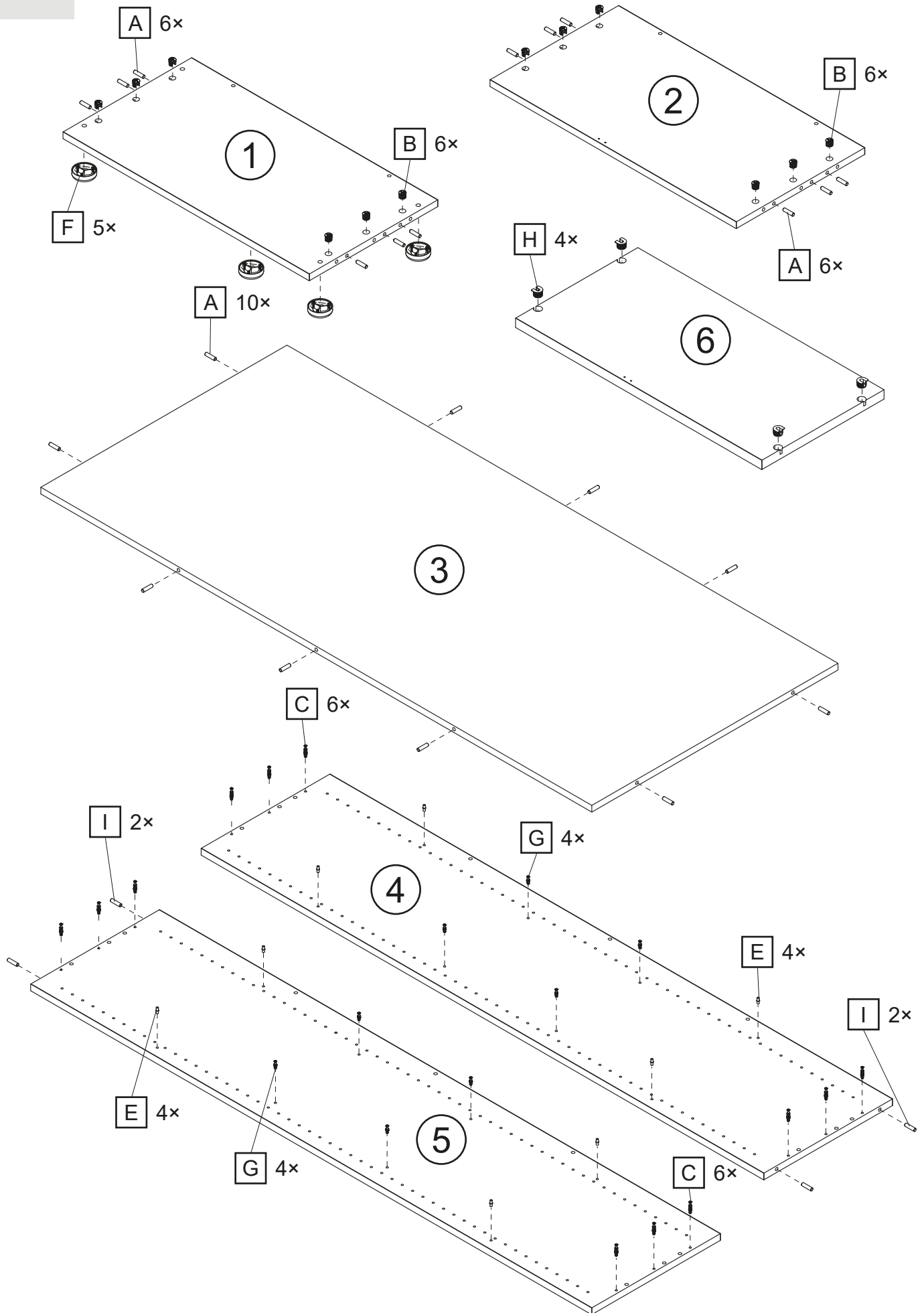


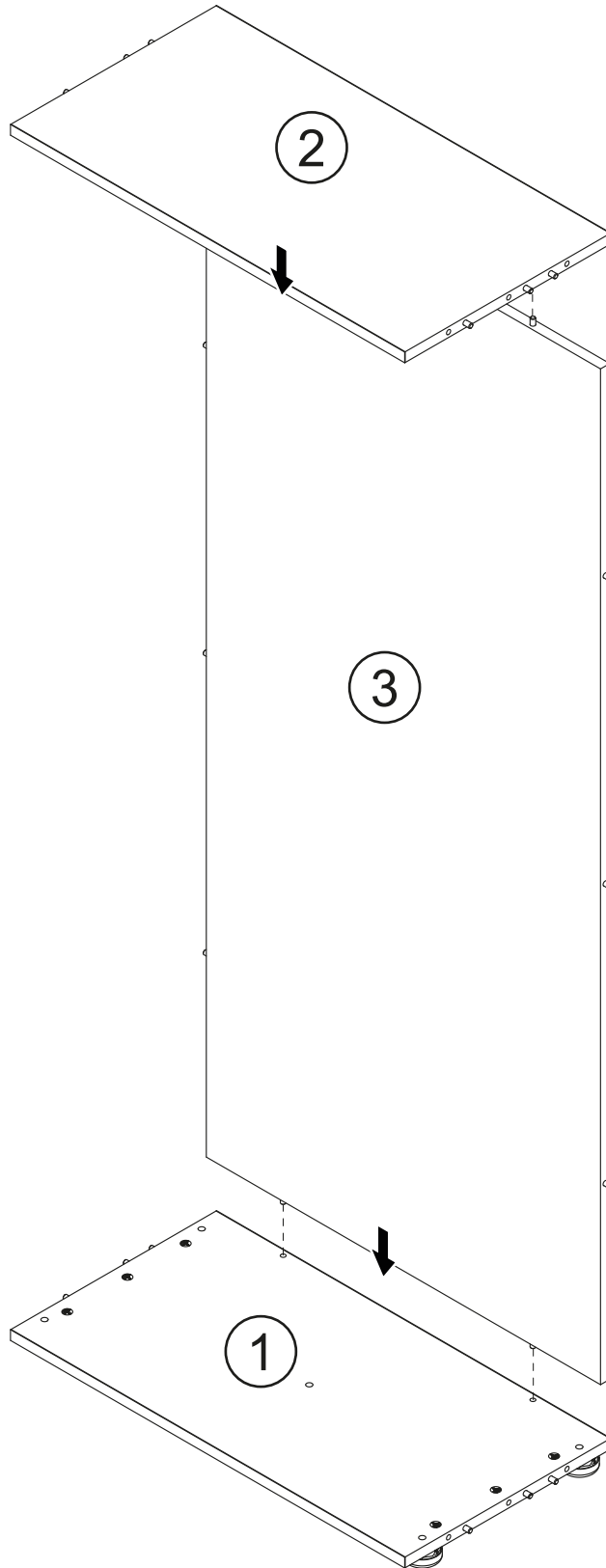
| | | | | | | | |
|---|---|---|---|---|---|---|---|
|  |  |  |  |  |  |  |  |
| Ø8 × 35 | | Ø8 × 24 | | | | | |
| A 22× | B 12× | C 12× | D 12× | E 8× | F 5× | G 8× | H 8× |
|  | | | | | | | |
| Ø8 × 27 | | | | | | | |
| I 4× | | | | | | | |



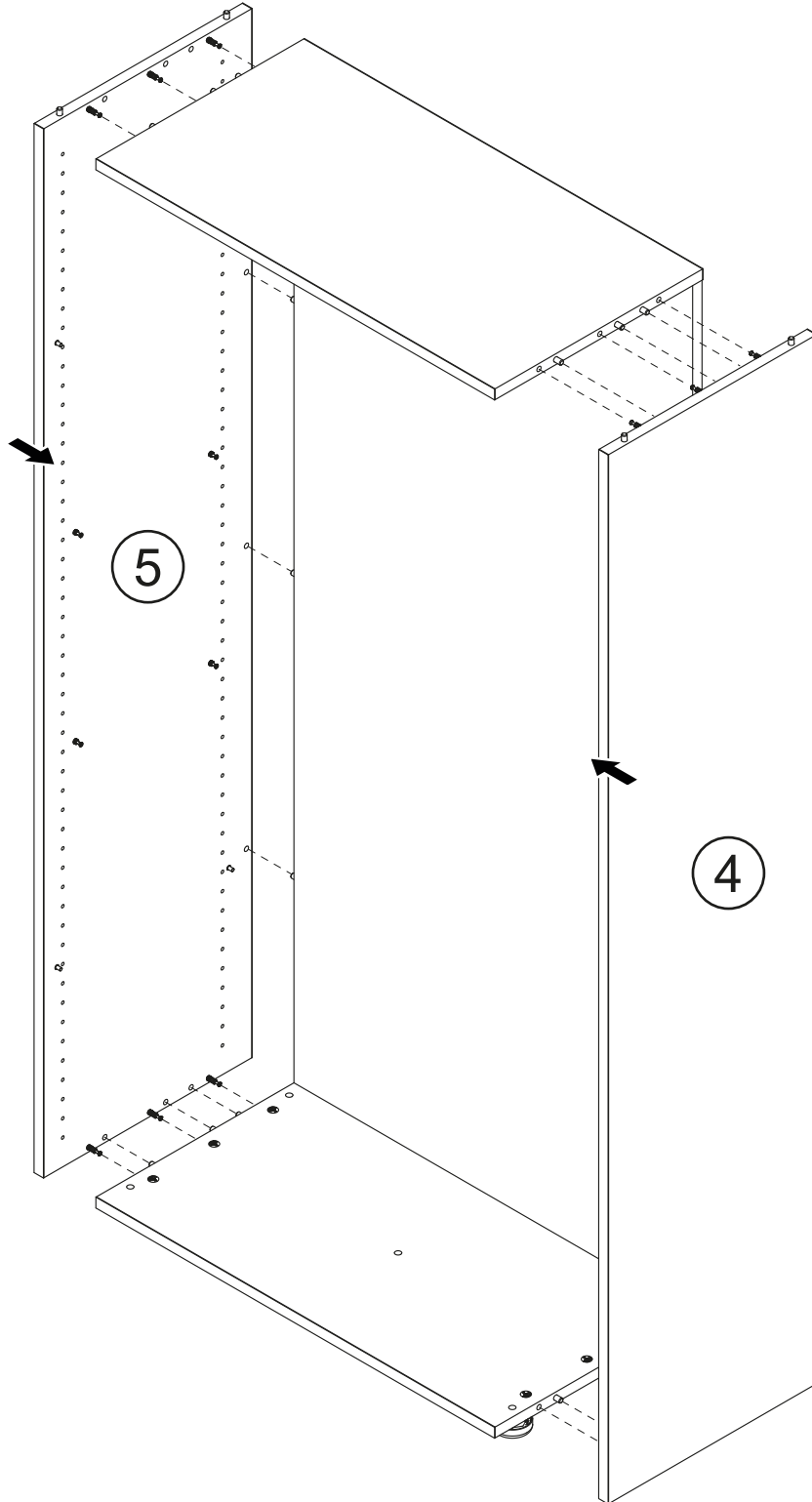
1

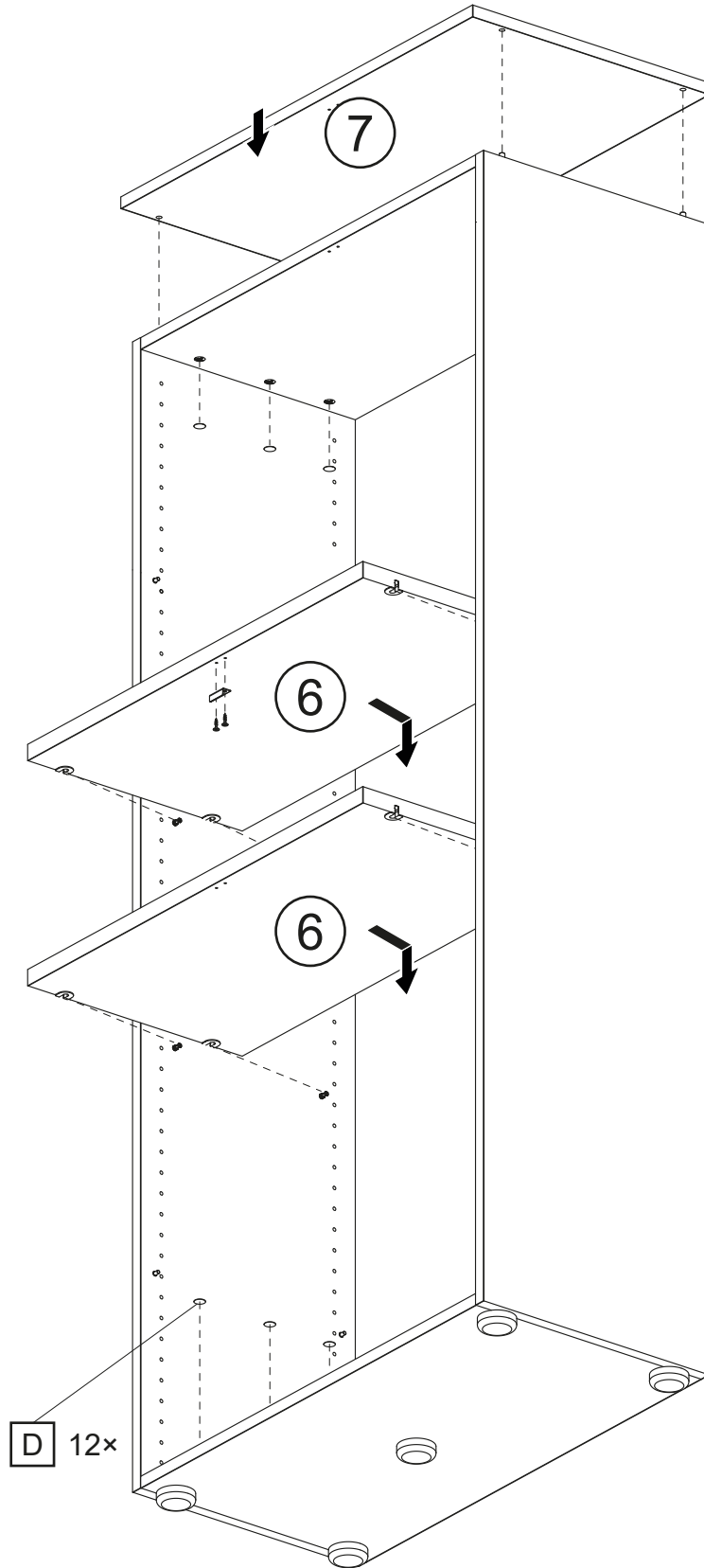


2



3





5

