

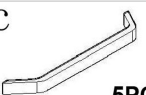

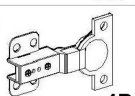






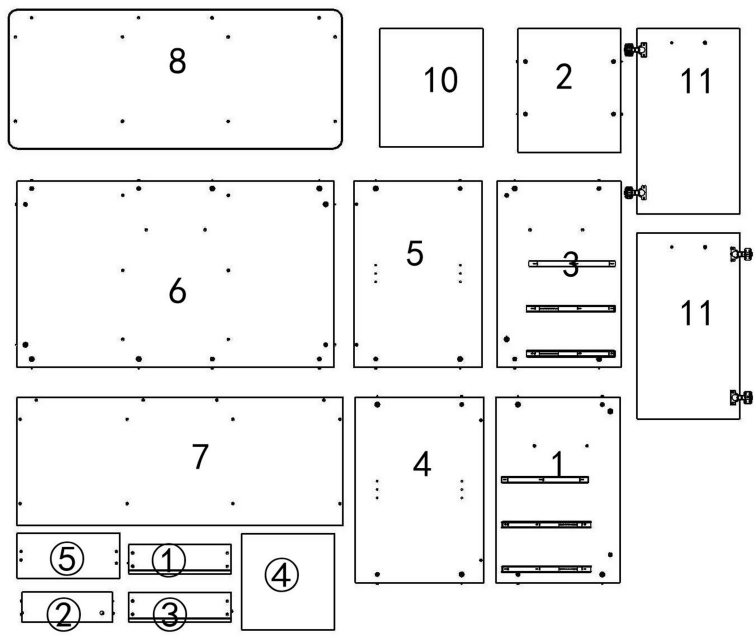
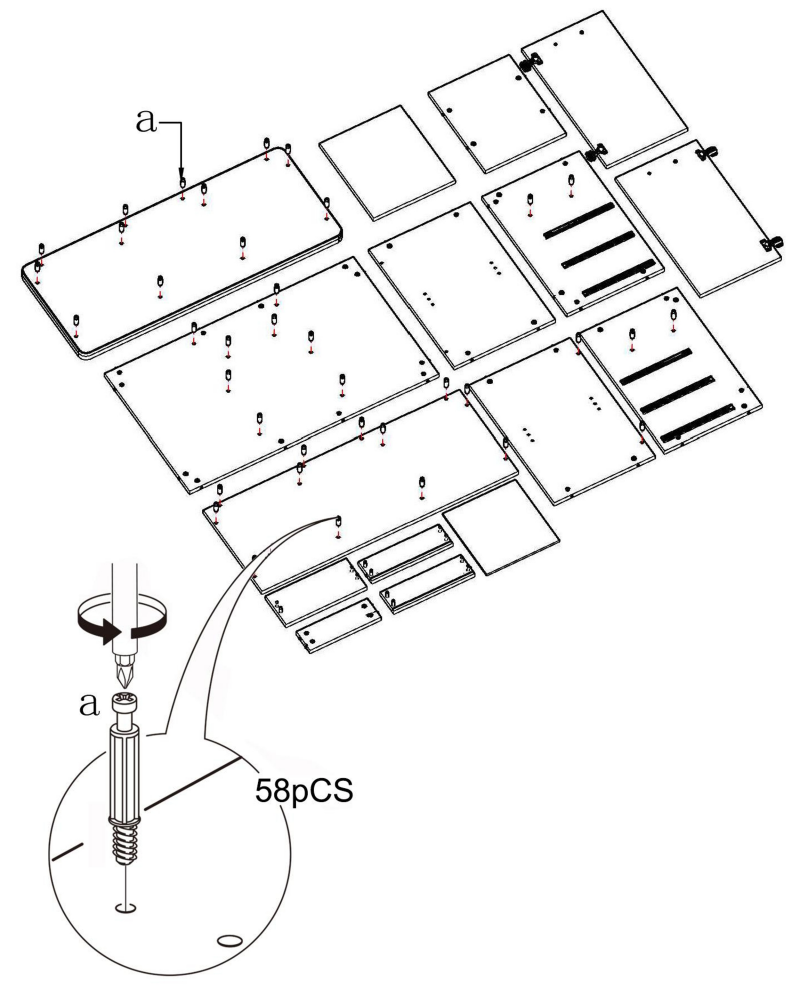


- a  1
58PCS
- b  2
58PCS
- c  3
5PCS
- d  4
80PCS
- e  5
4PCS
- f  6
4PCS
- g  7
2PCS
- h  8
6PCS
- i  9
4PCS
- j  10
5PCS
- k  11
58PCS

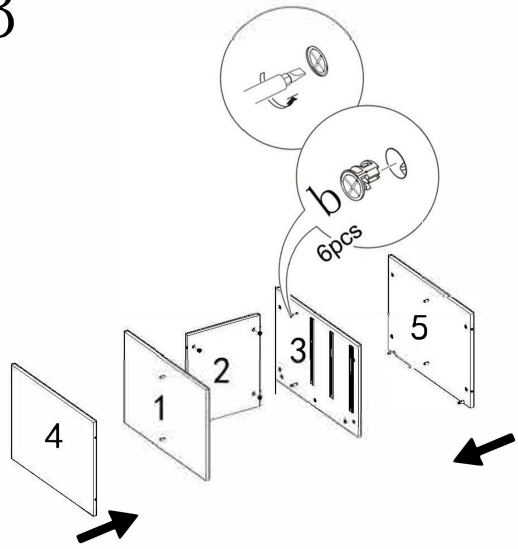
pcs / ks / Stck



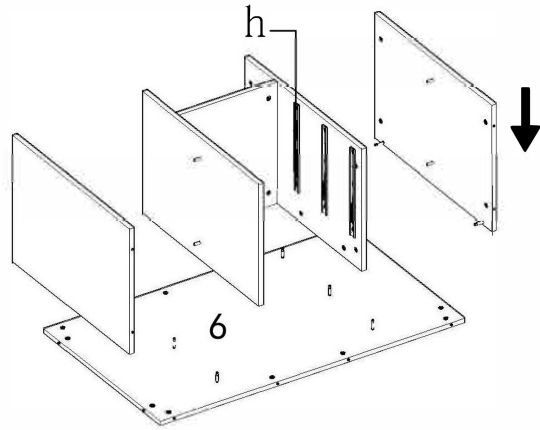
2



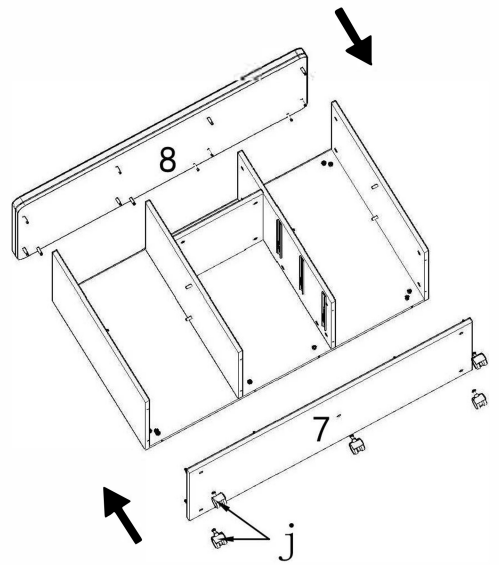
3



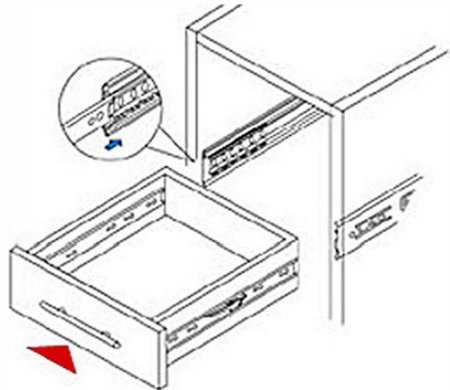
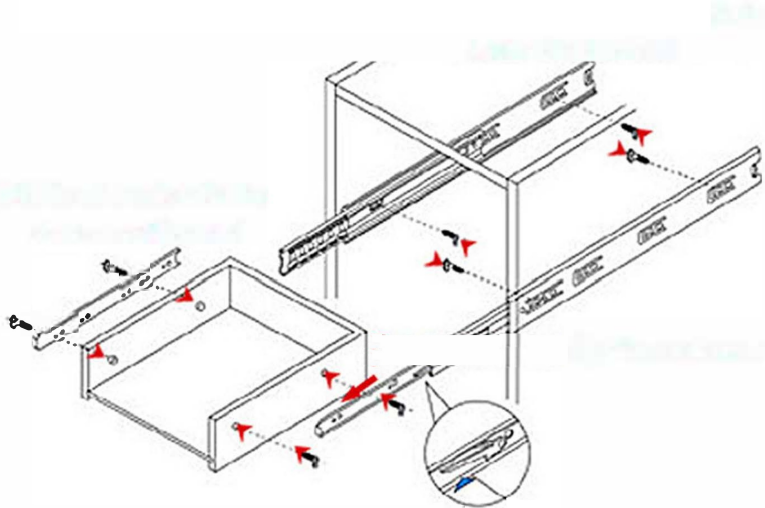
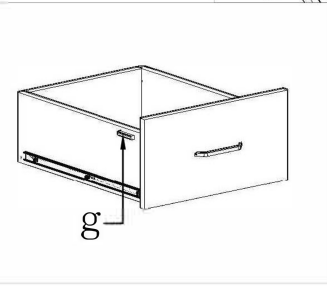
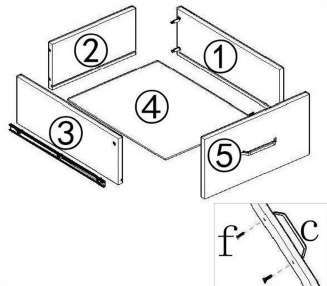
4



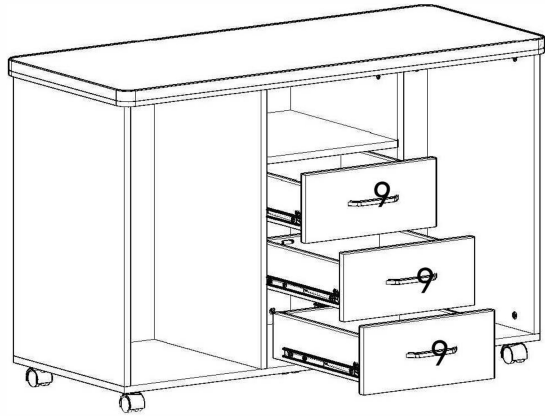
5



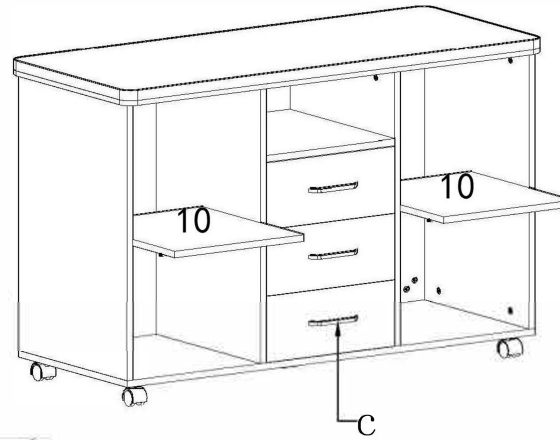
6



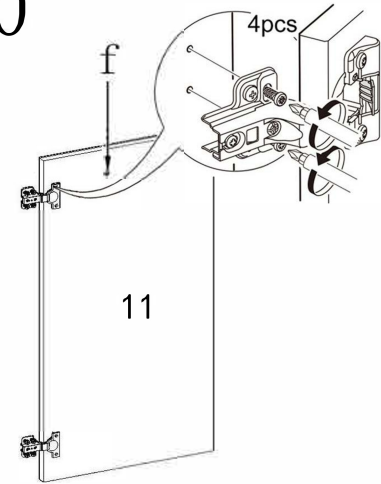
8



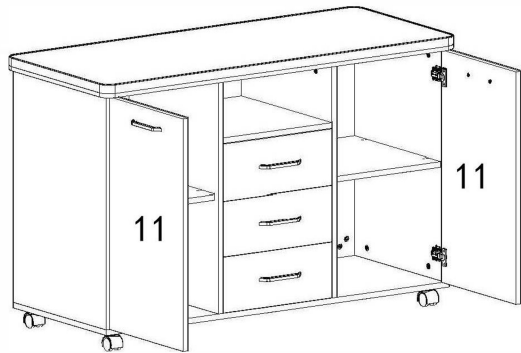
9



10



11



12



Faint, illegible text, likely bleed-through from the reverse side of the page.

