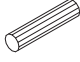
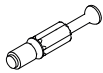

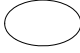

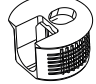

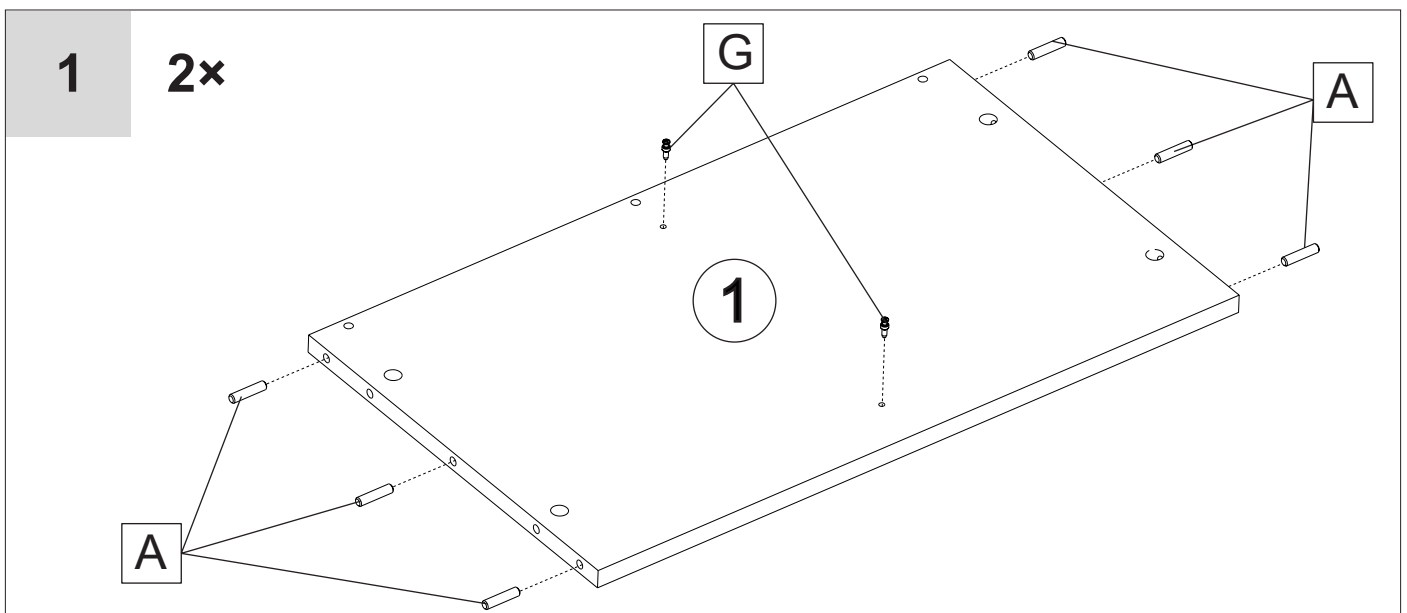
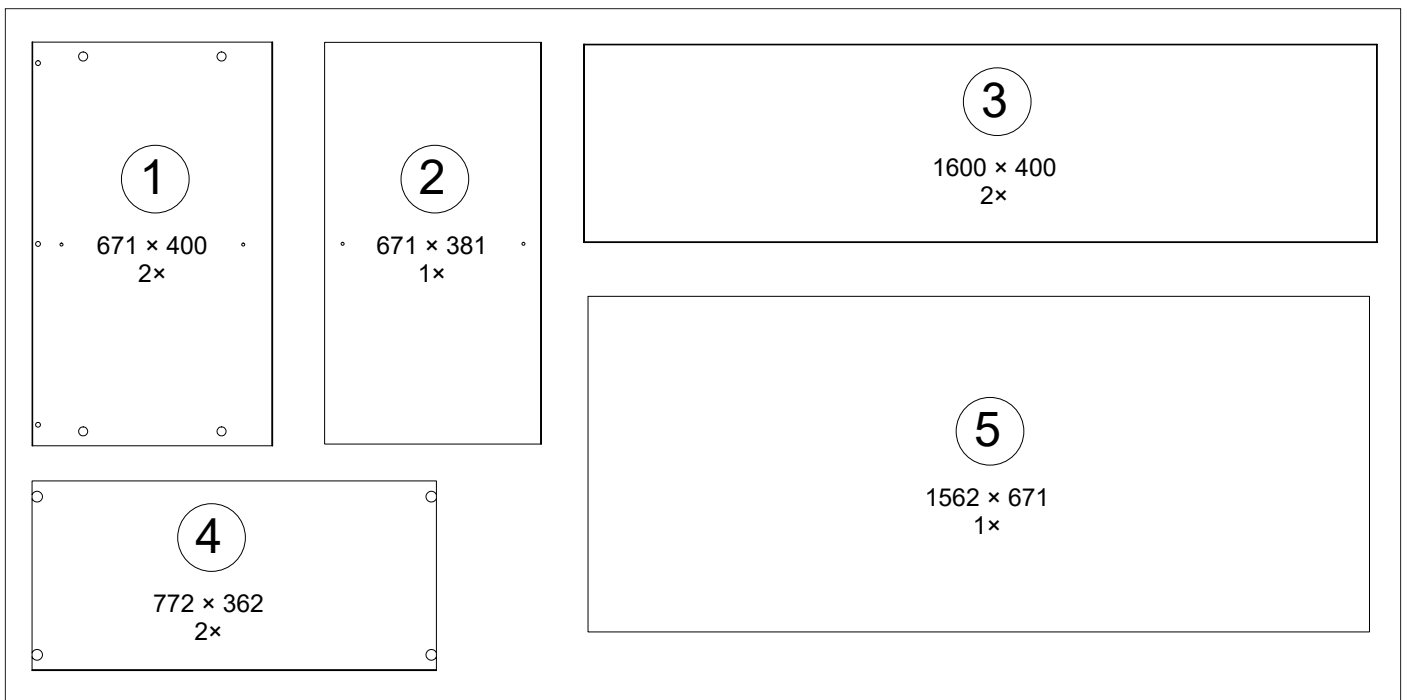
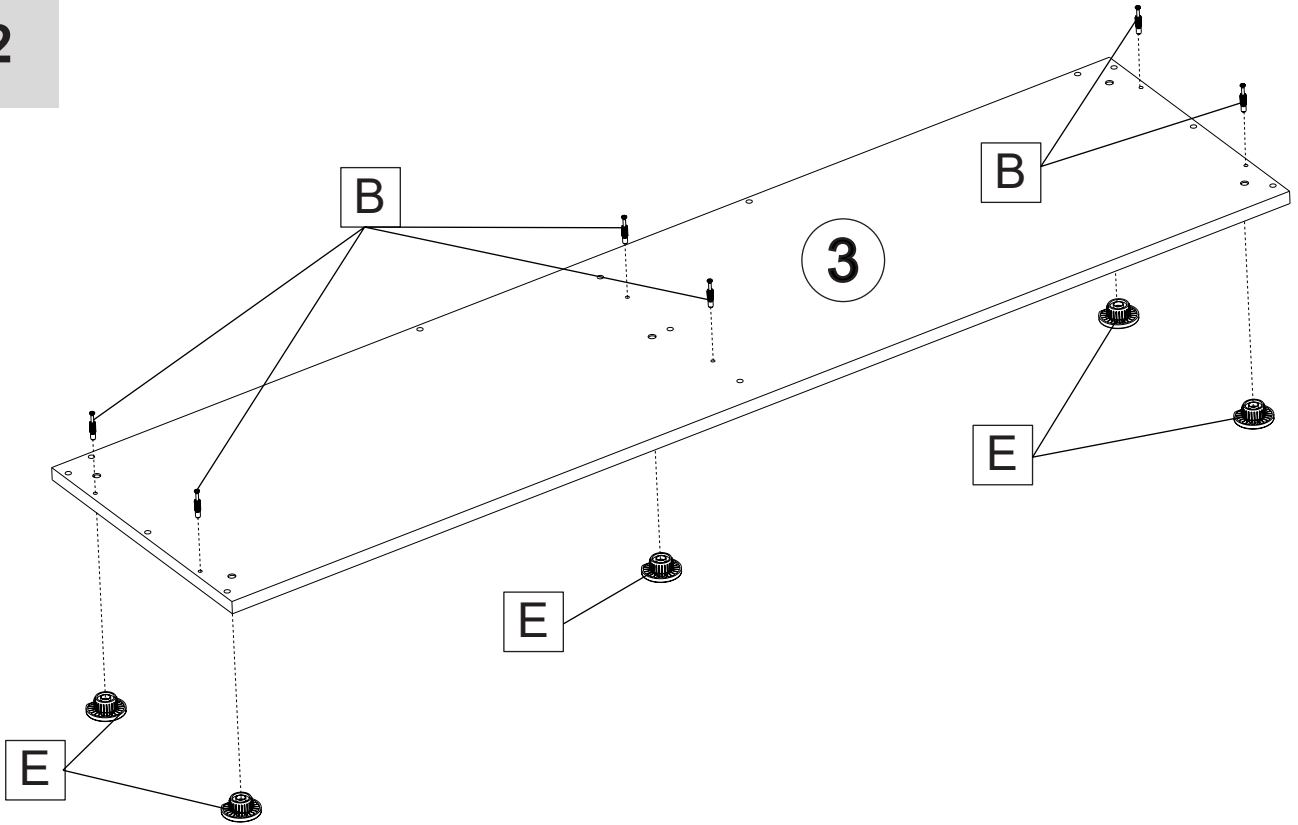


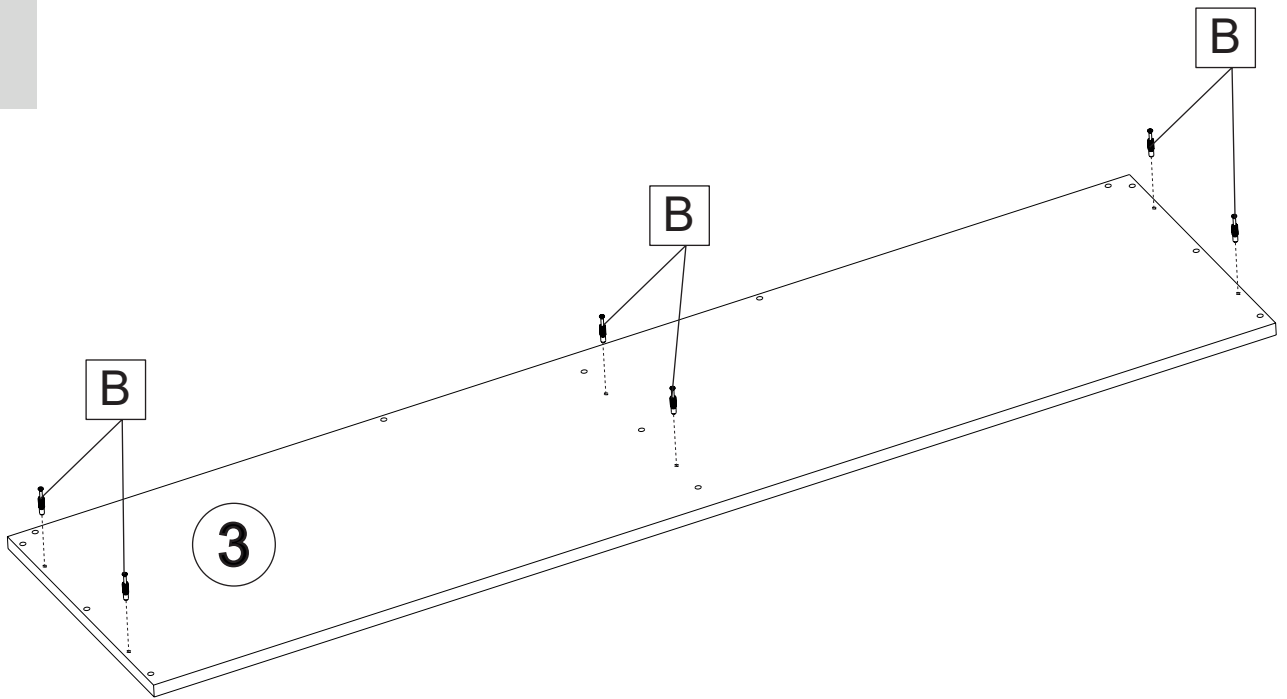
|   |   |   |   |  |   |   |
|---|---|---|---|--|---|---|
|  |  |  |  |  |  |  |
| Ø8 × 35   |   |   |   |  |   |   |
| A 32×   | B 12×   | C 12×   | D 12×   | E 5×   | F 8×  | G 8×  |



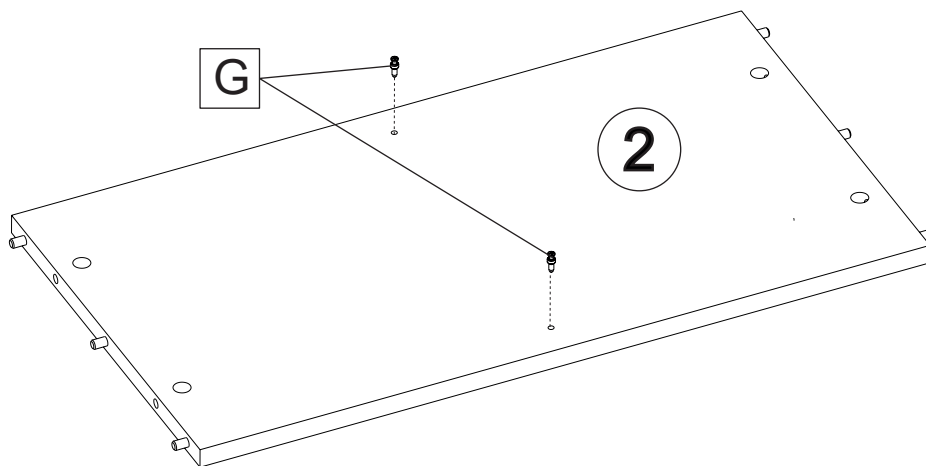
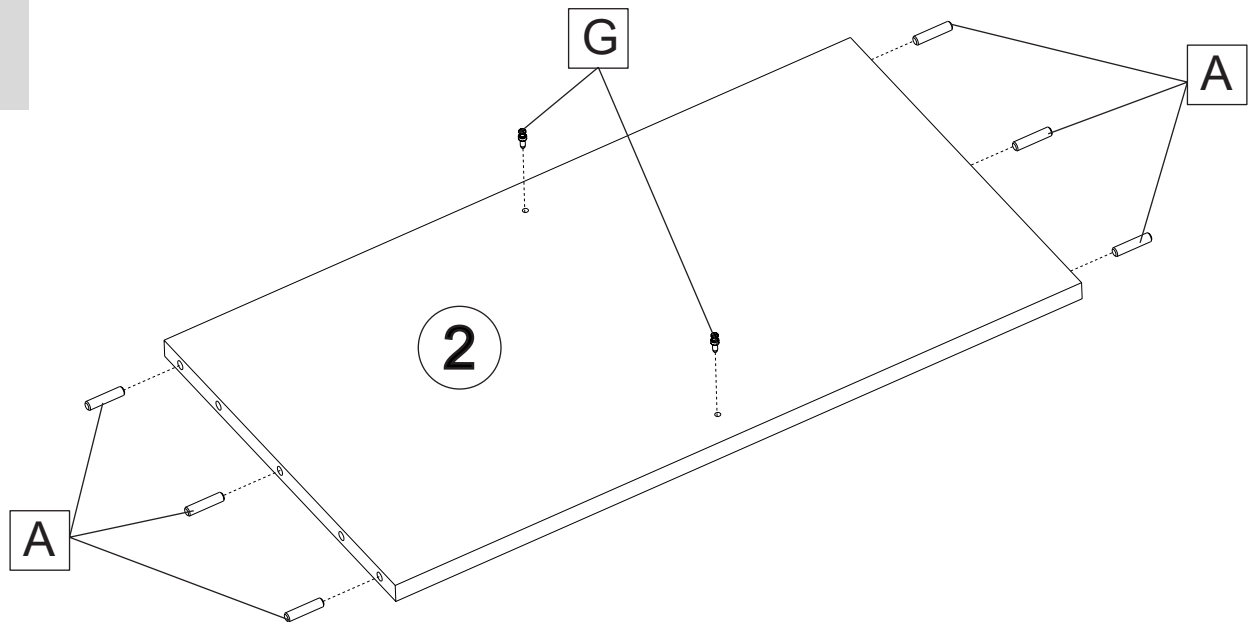
2



3

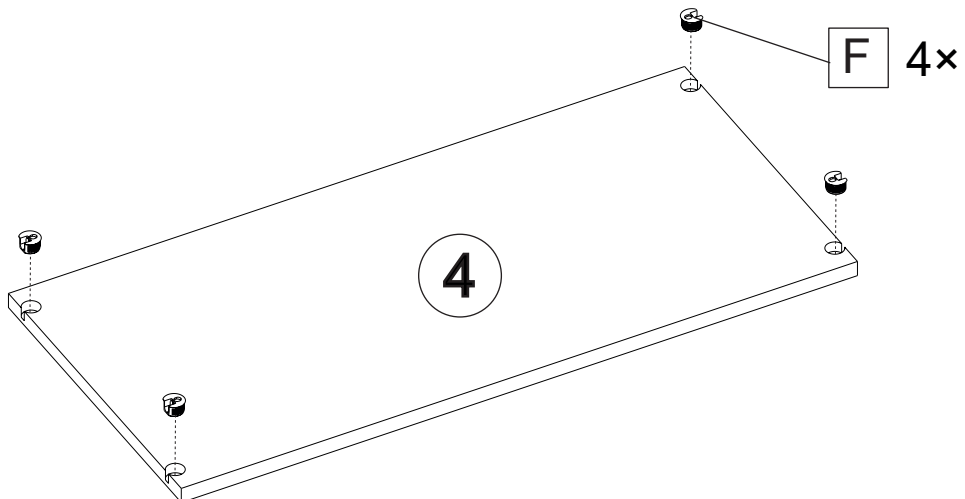


4



5

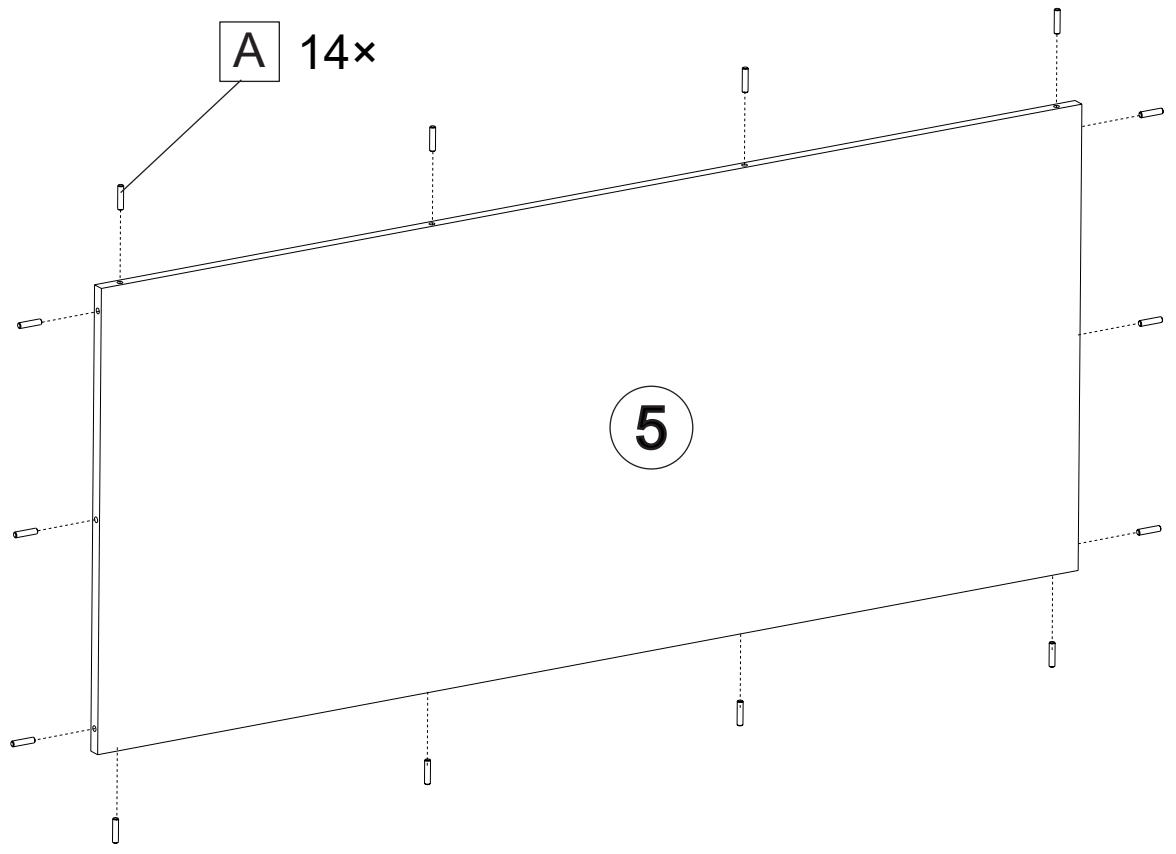
2x



6

A 14x

5

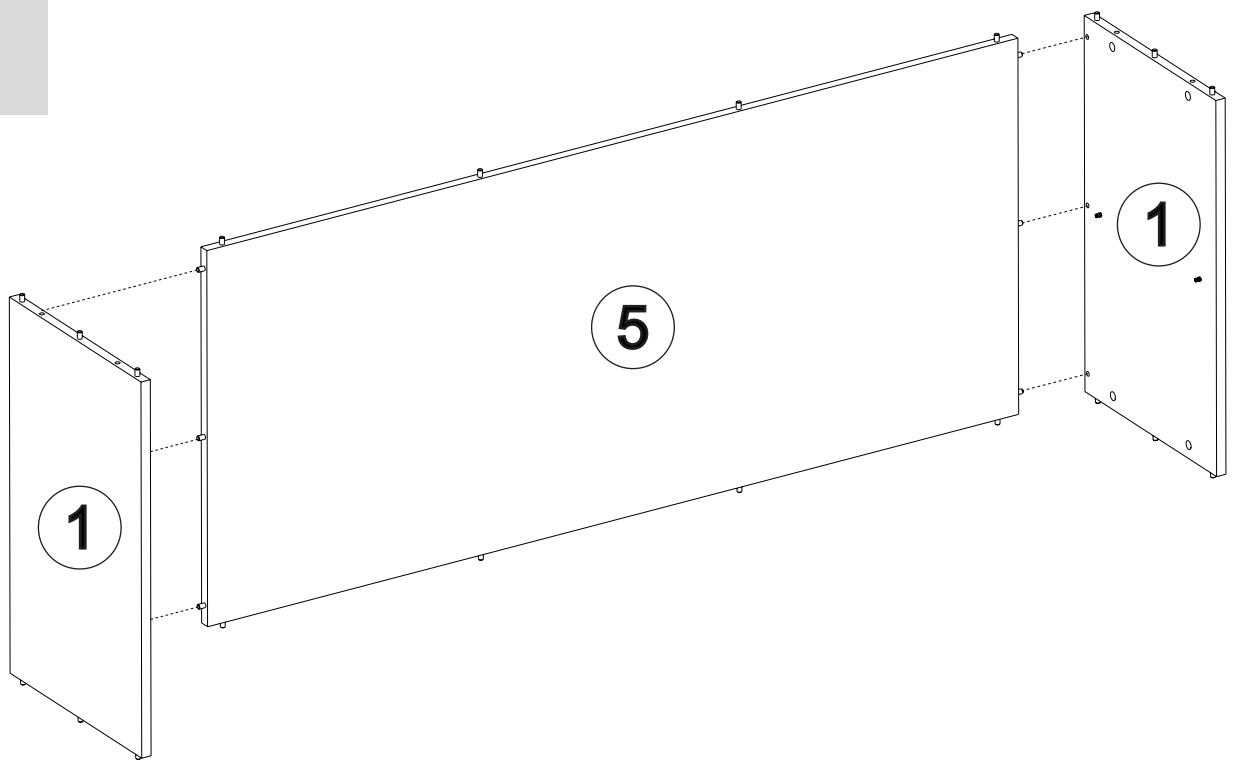


7

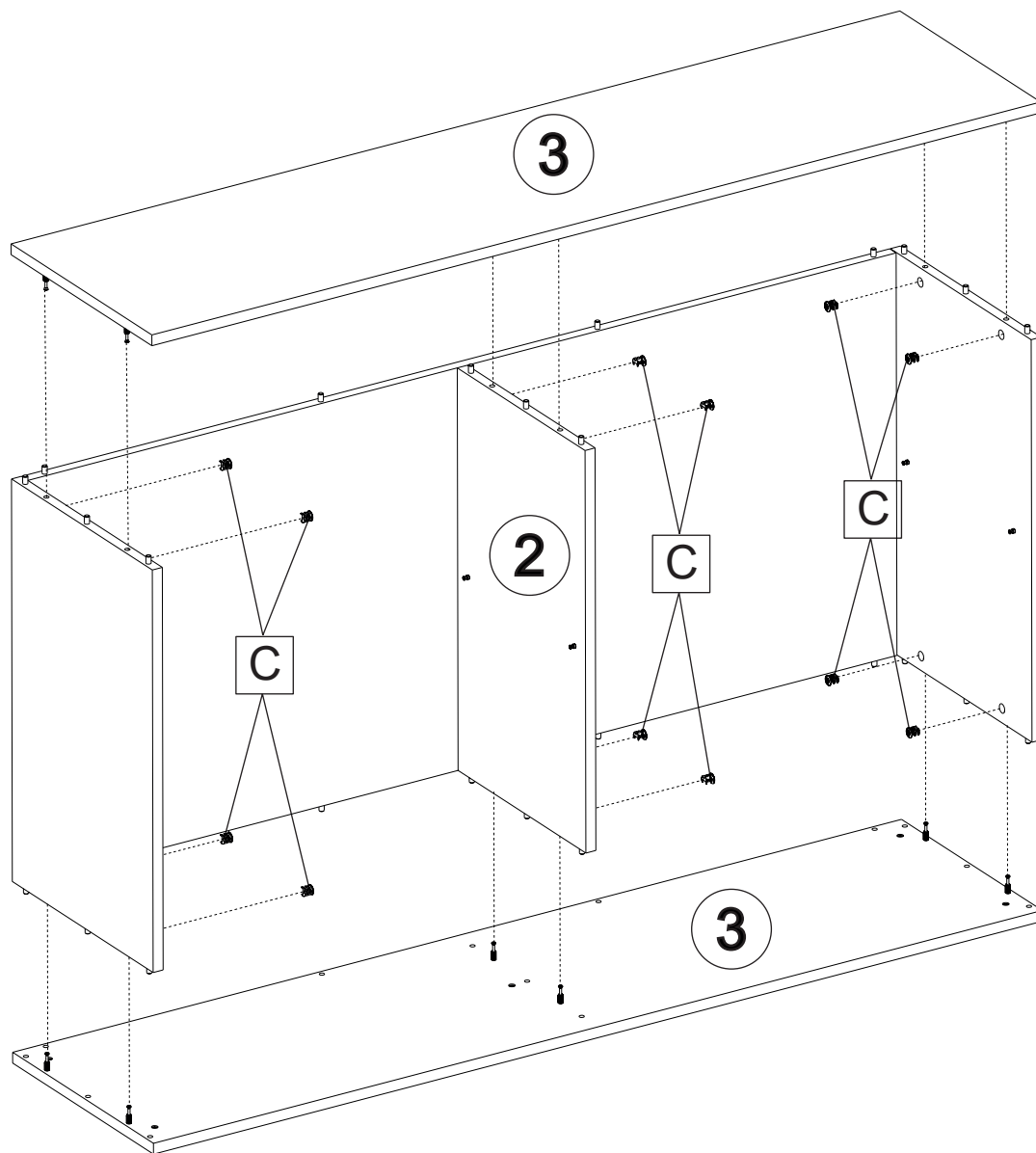
5

1

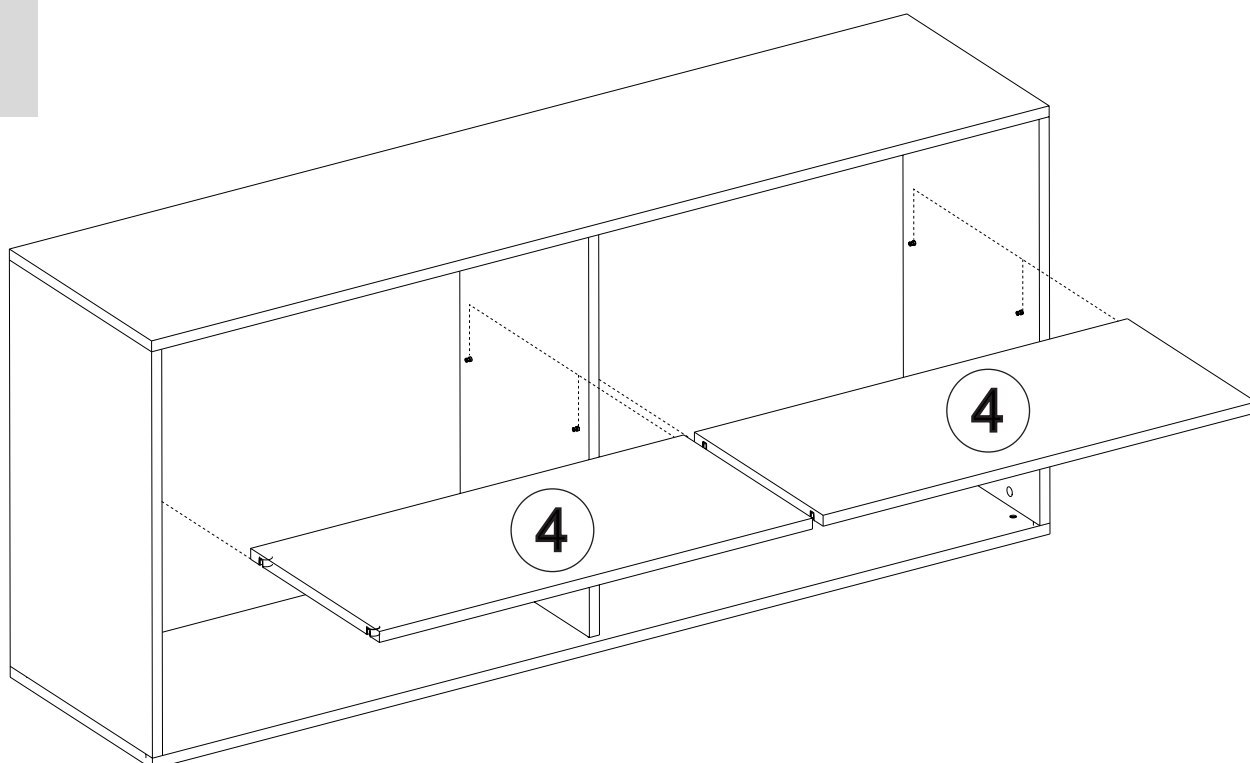
1



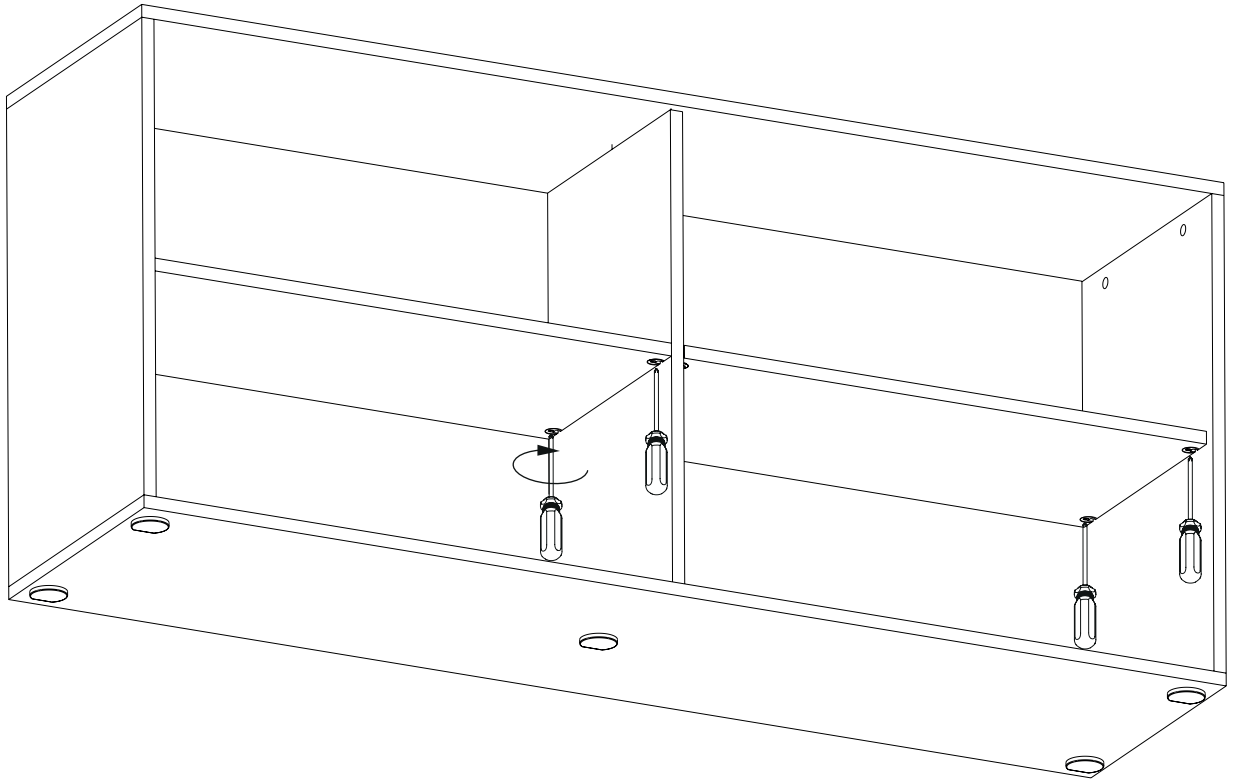
8



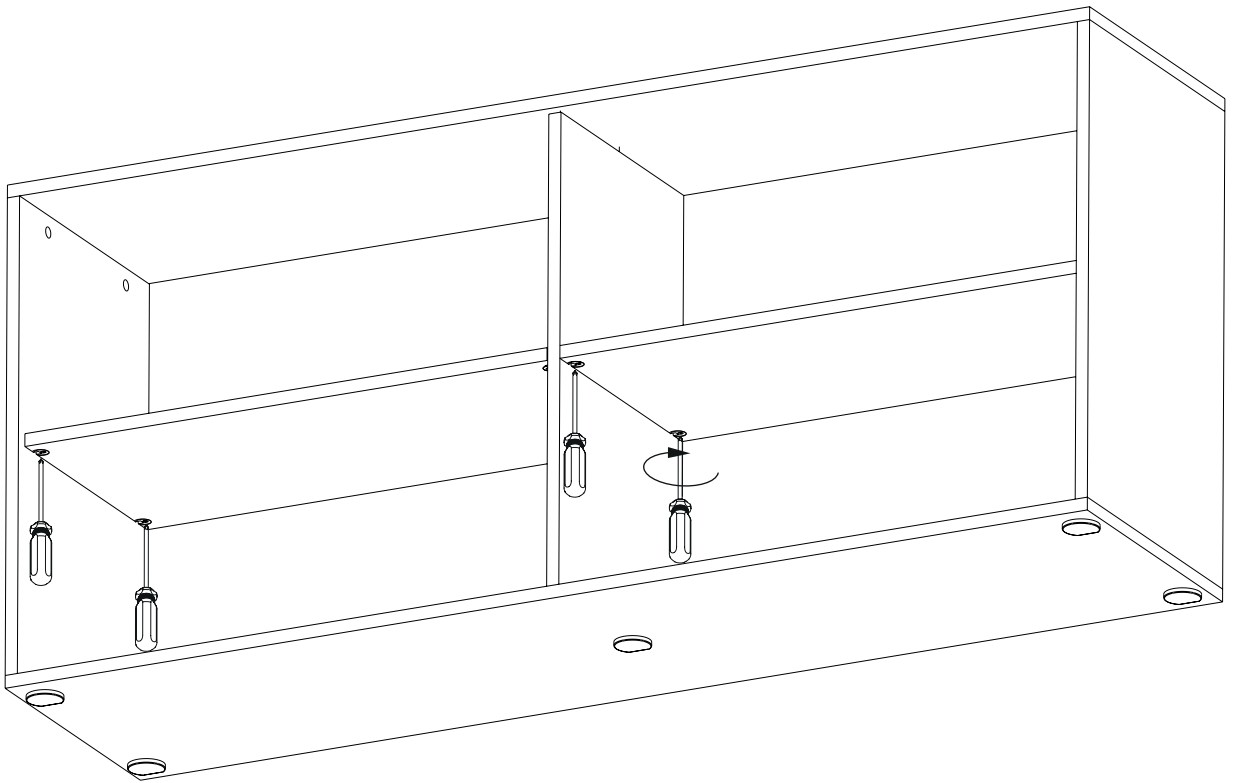
9



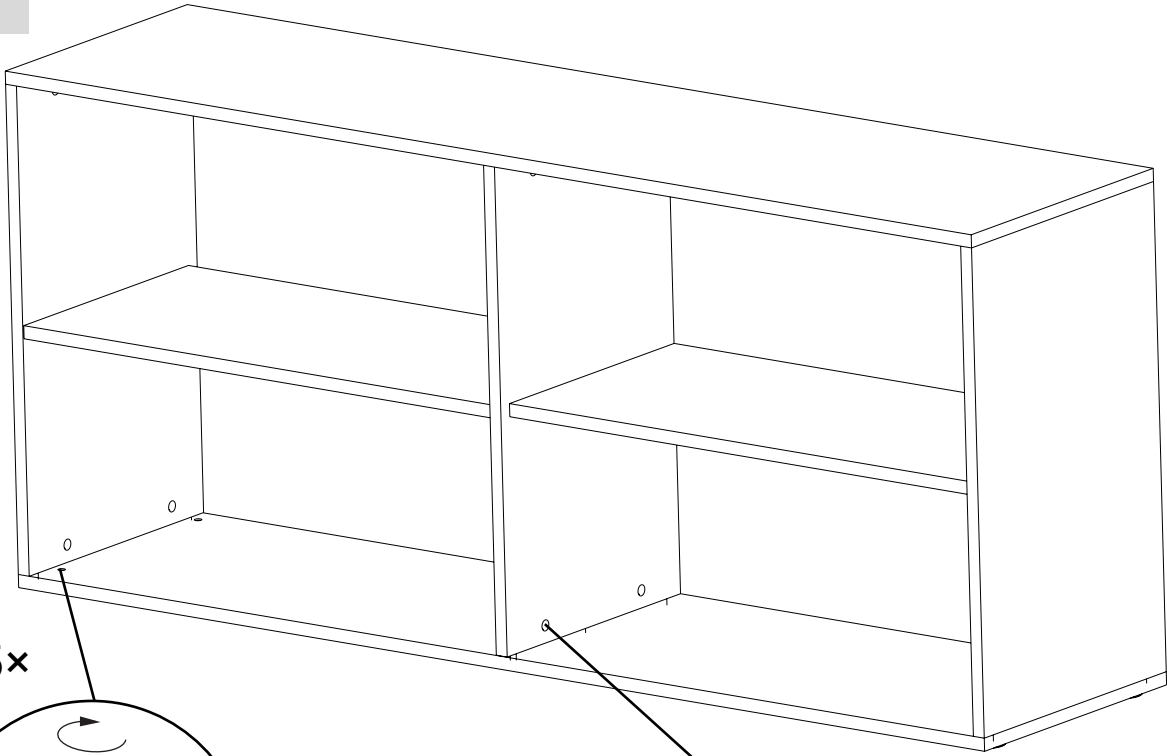
10



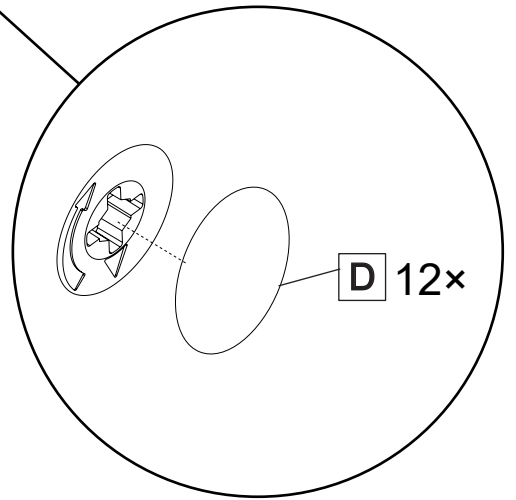
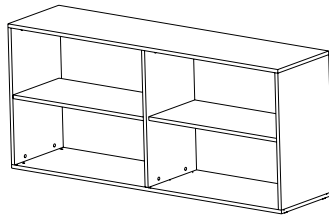
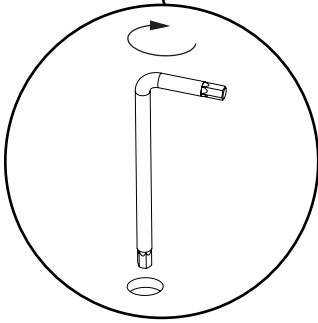
11

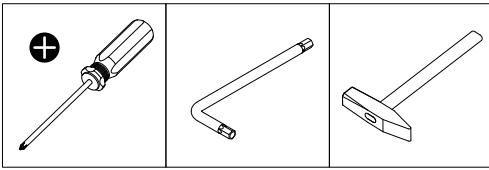
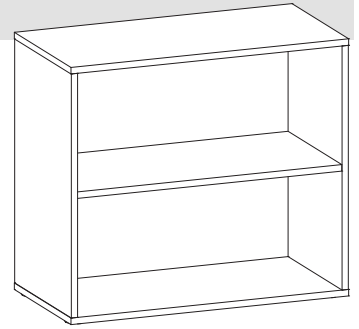


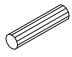
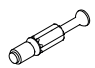





12

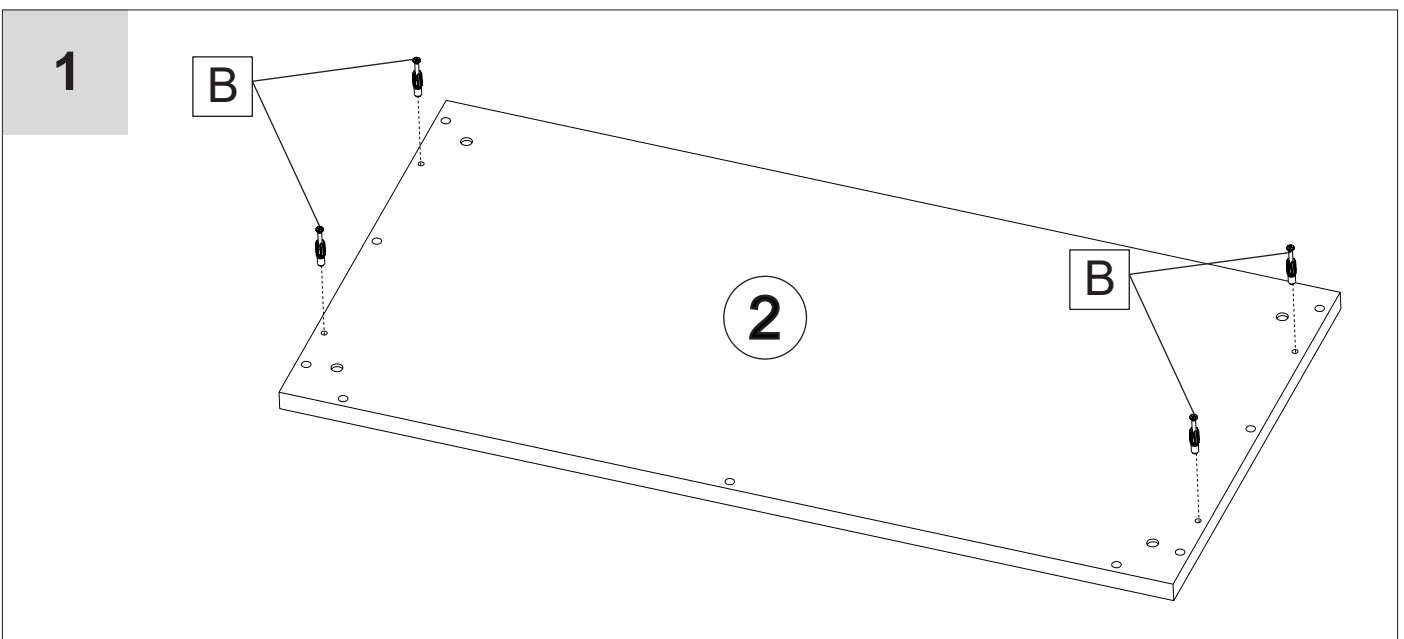
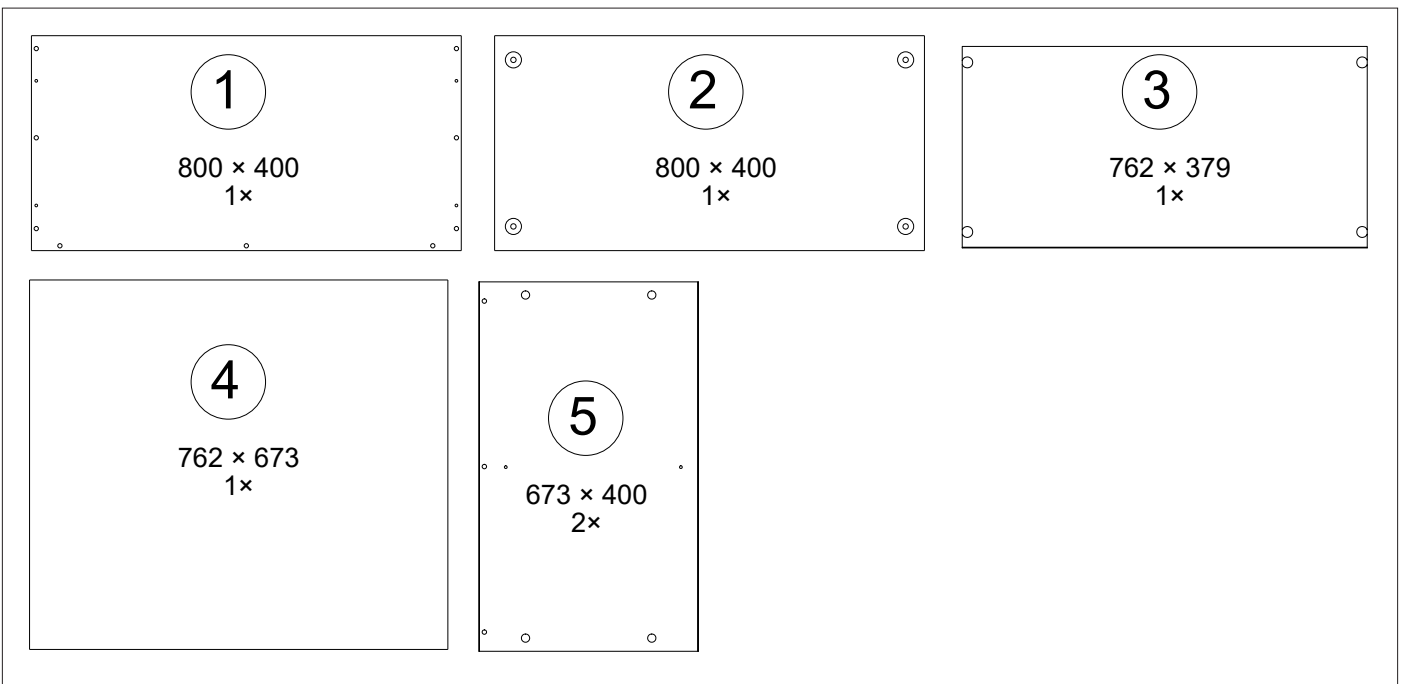


5x



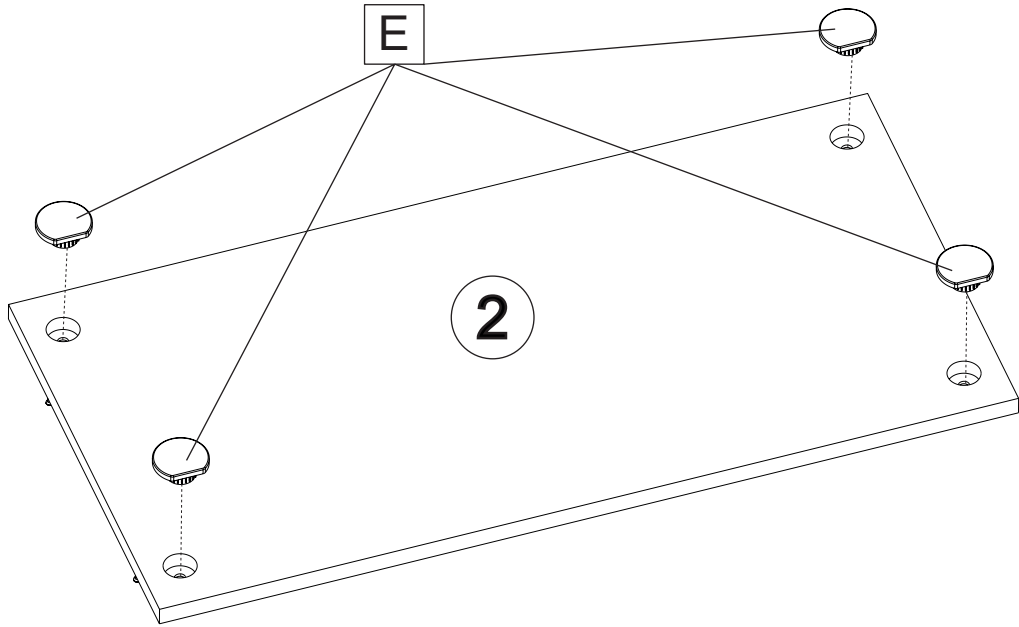


|   |   |   |   |   |  |   |
|---|---|---|---|---|--|---|
|  |  |  |  |  |  |  |
| Ø8 x 35   |   |   |   |   |  |   |
| A 48x   | B 16x   | C 16x   | D 16x   | E 4x  | F 4x   | G 4x  |

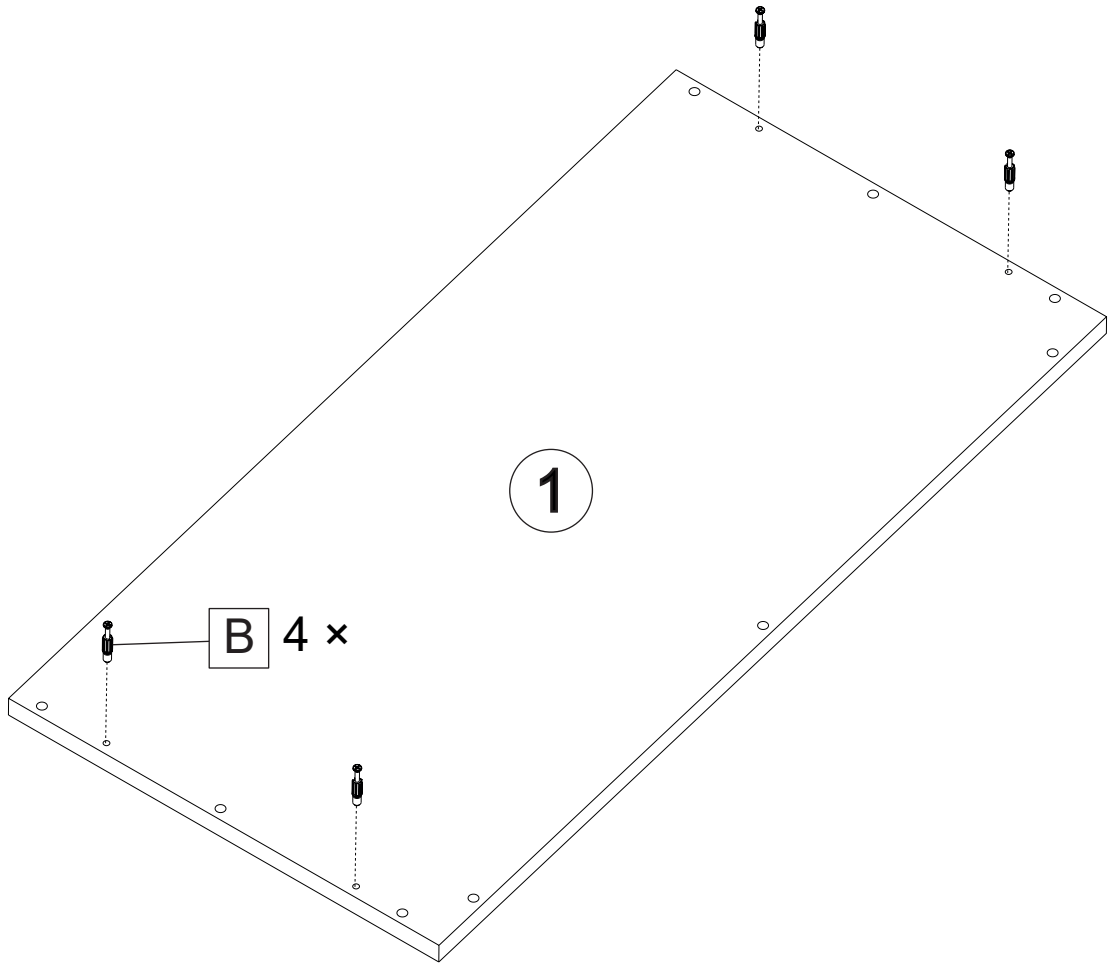




2

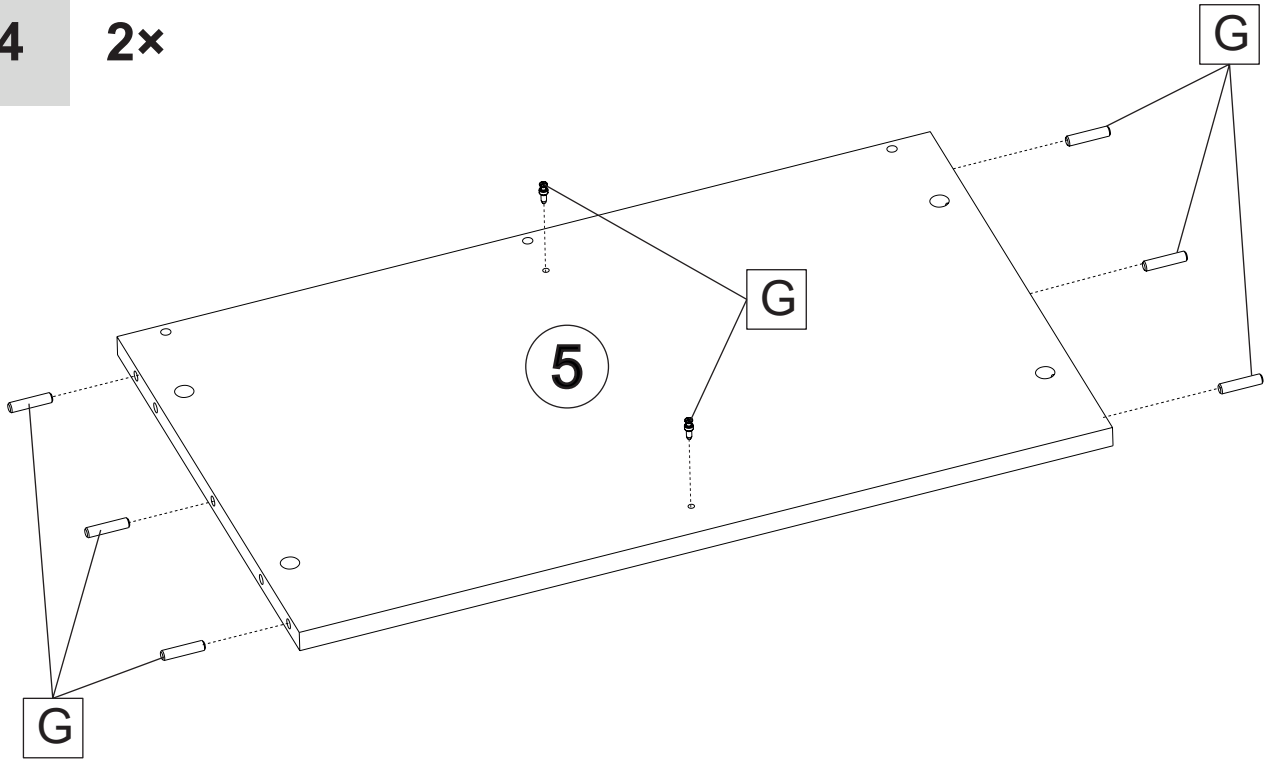


3



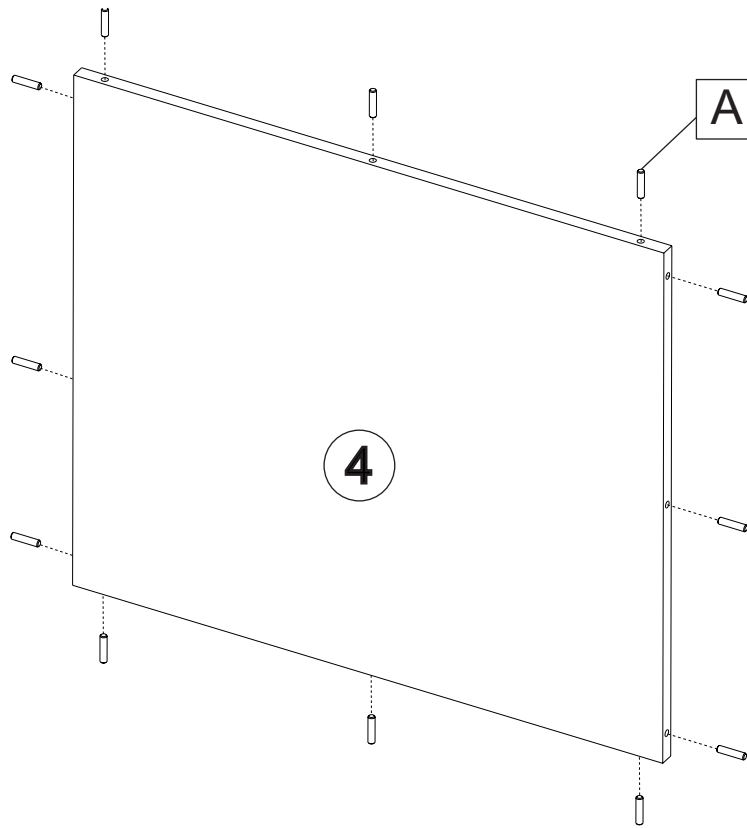
4

2x

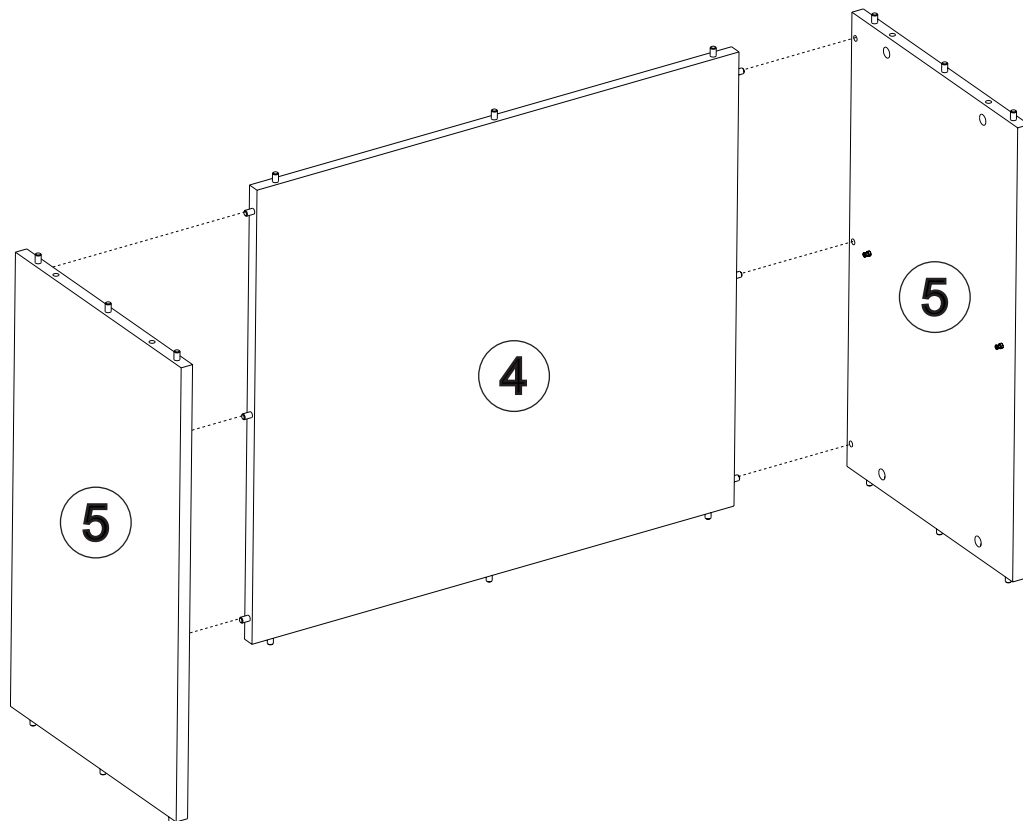


5

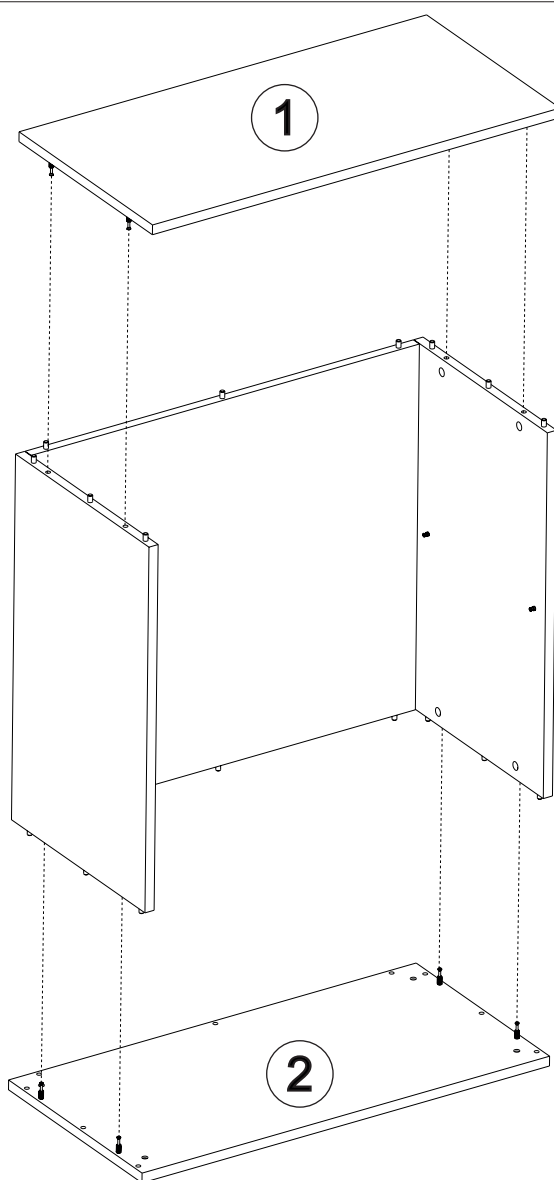
A 12x



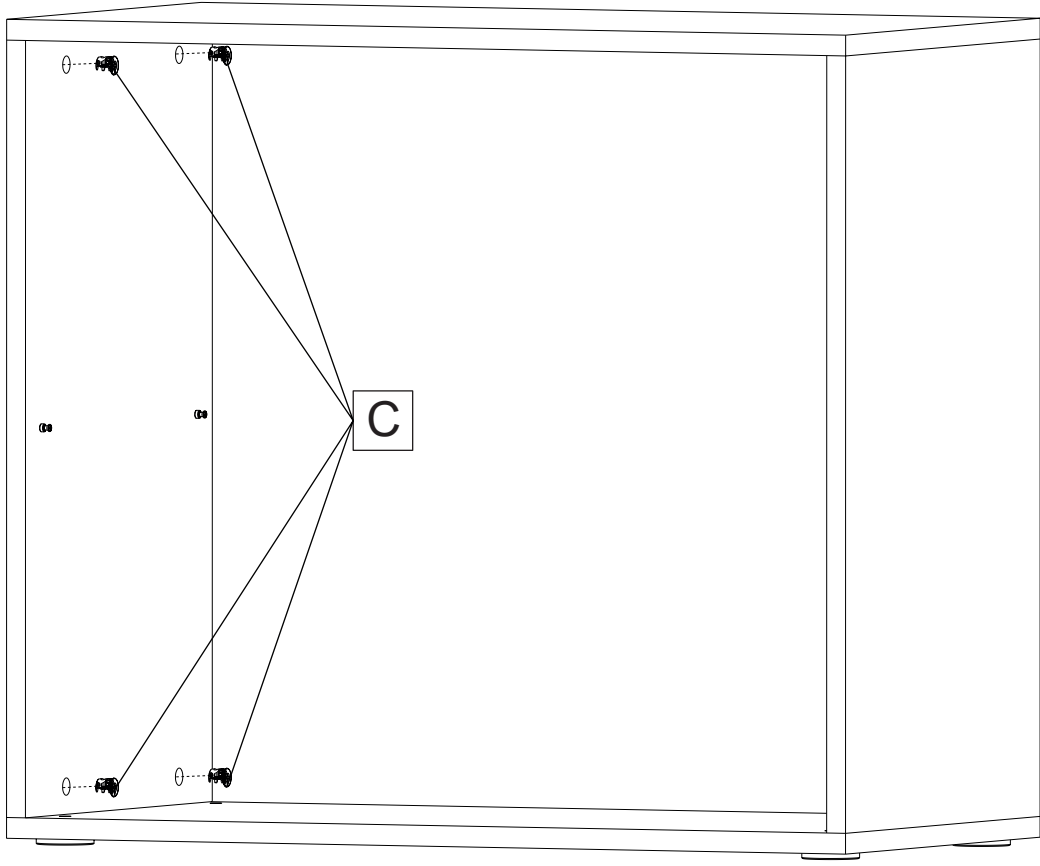
6



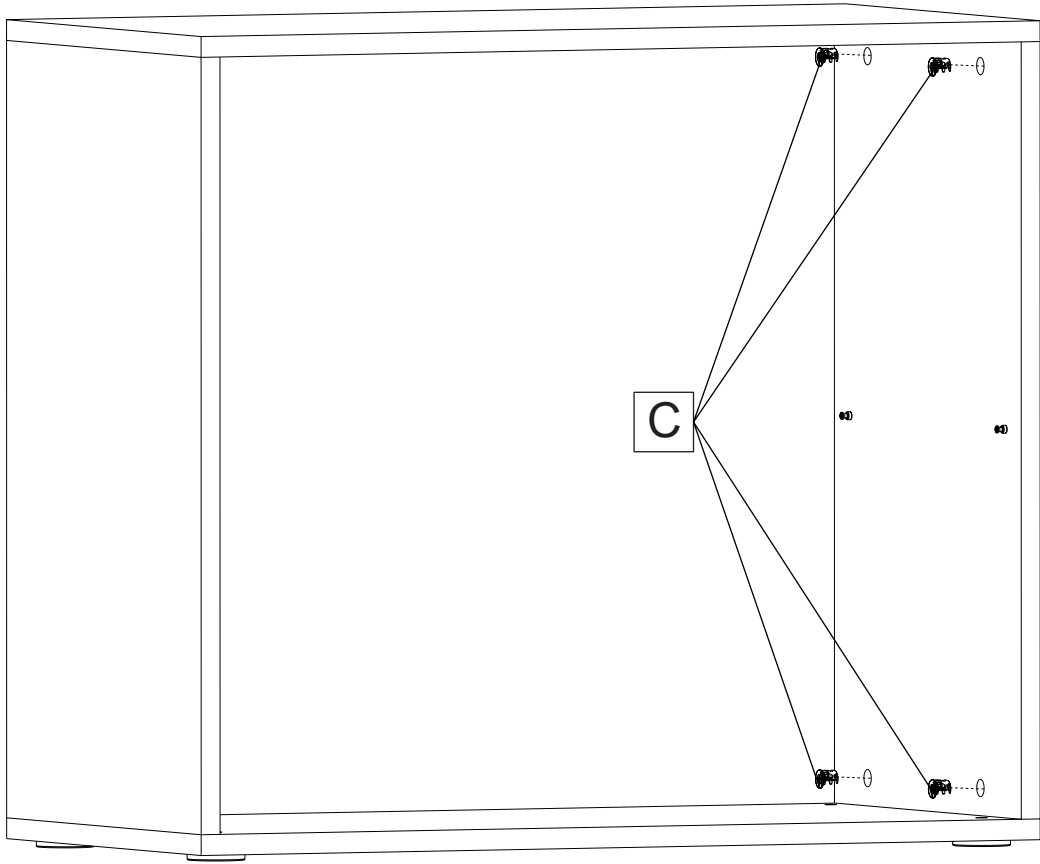
7



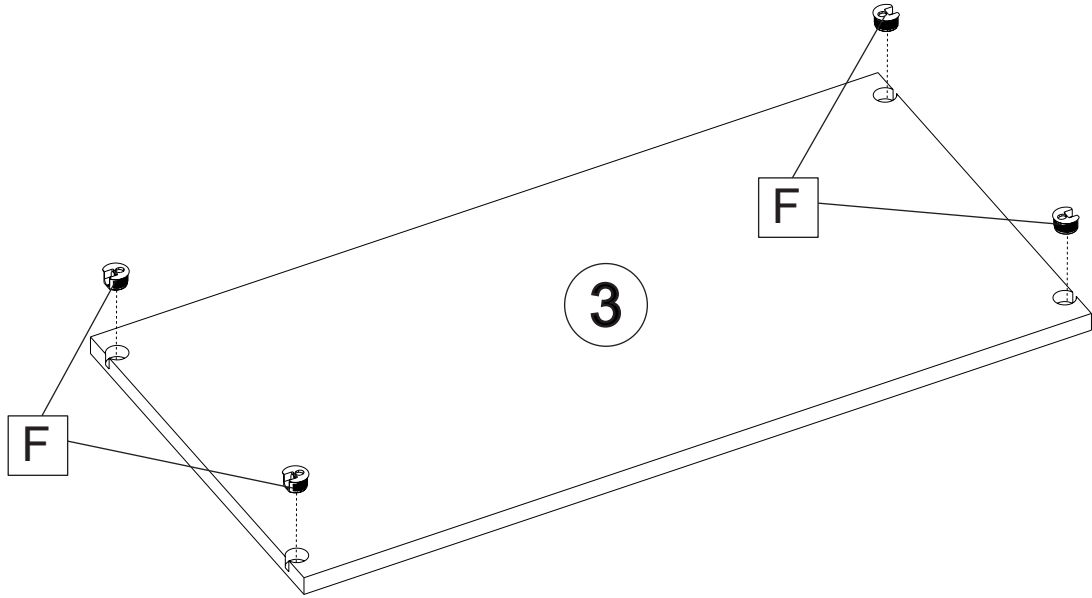
8



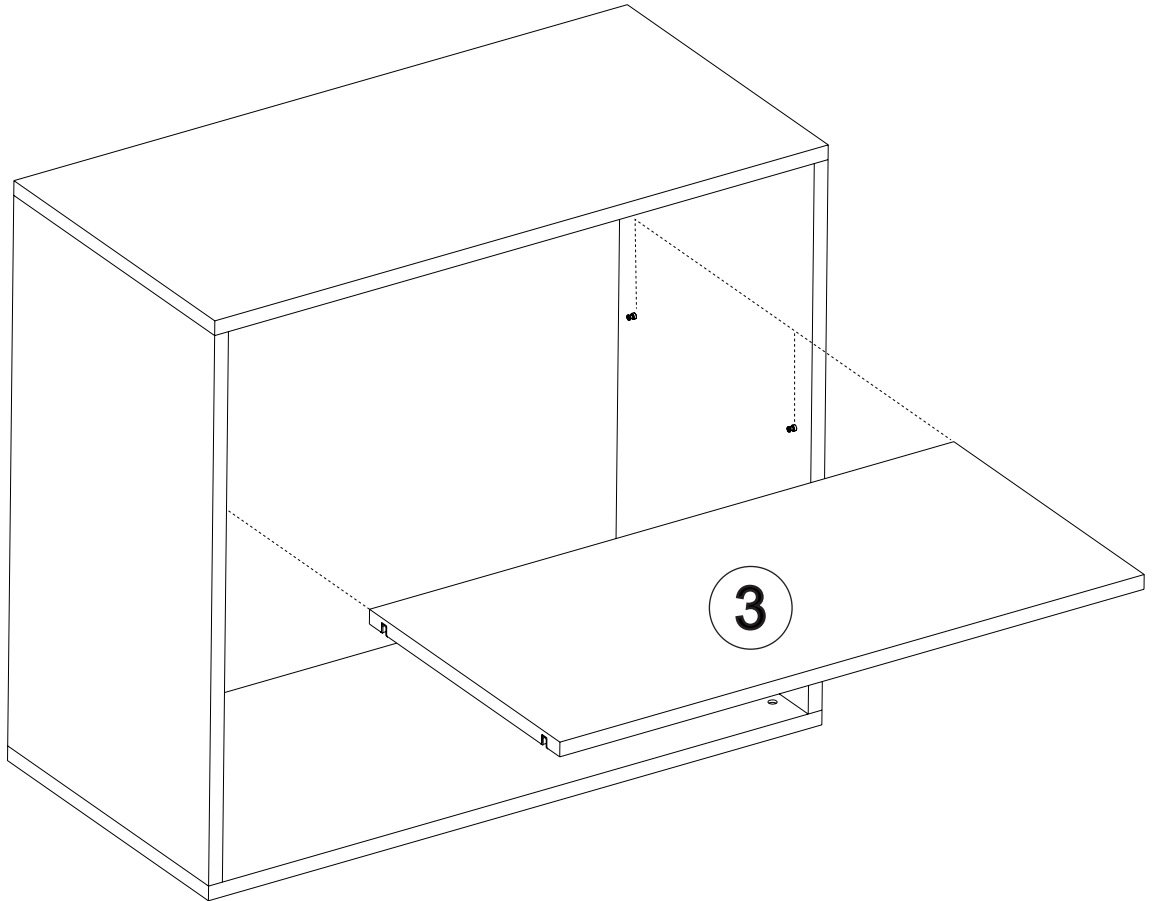
9



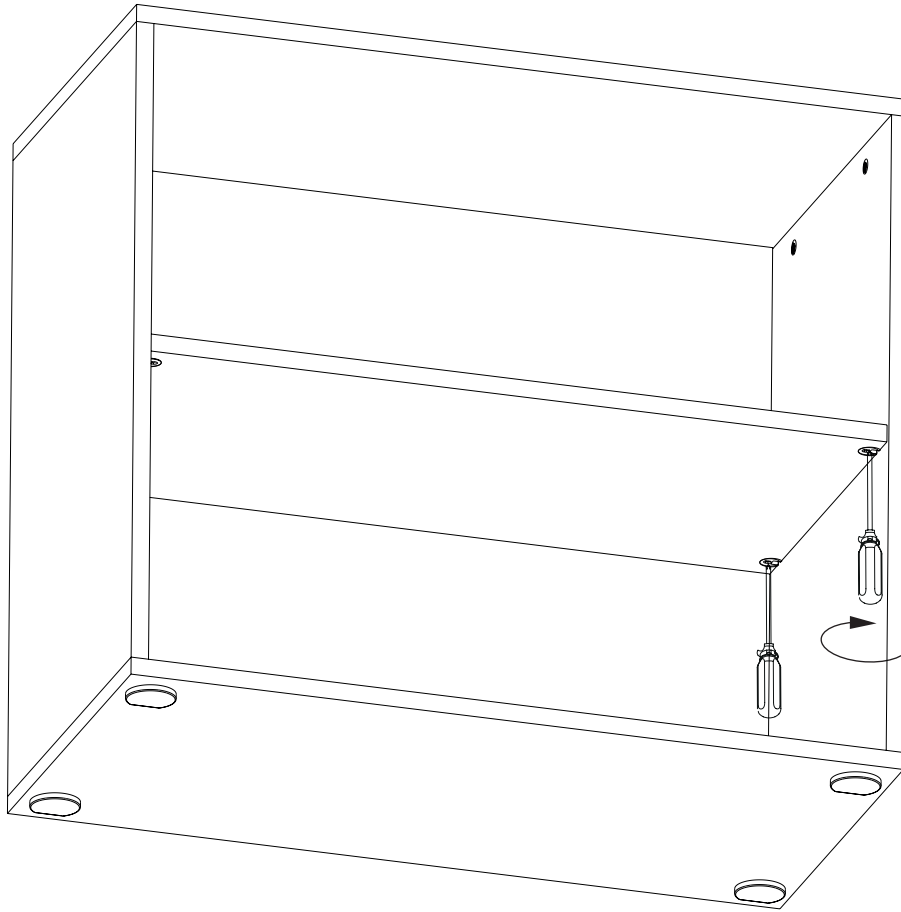
10



11



12



13

