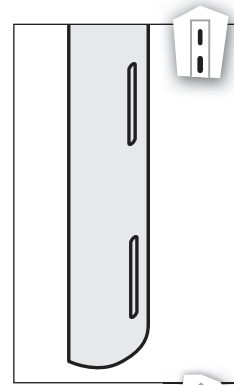


**CLASSIC**

10000 - .....\*

50

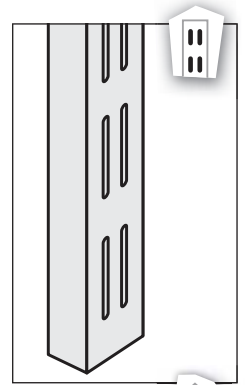
10001 - .....\*



**DESIGN**

10004 - .....\*

50

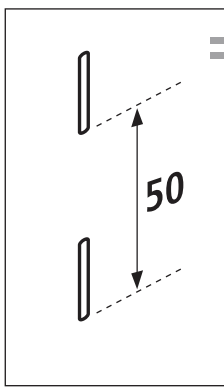


**CLASSIC**

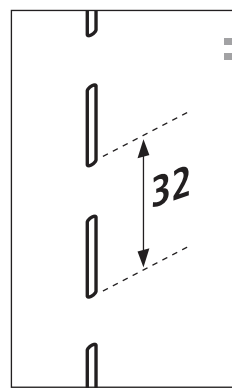
10002 - .....\*

32

50|32



50



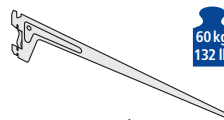
32



**CLASSIC  
DESIGN**

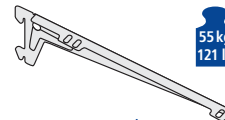
55 kg / 200 mm  
121 lb / 7.8"

50



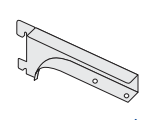
60 kg  
132 lb

10105 - .....\*



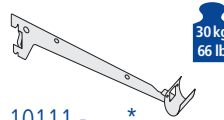
55 kg  
121 lb

10300 - .....\*



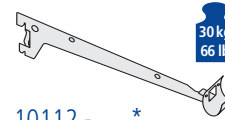
55 kg  
121 lb

10504 - .....\*



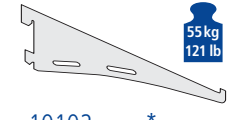
30 kg  
66 lb

10111 - .....\*



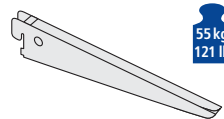
30 kg  
66 lb

10112 - .....\*



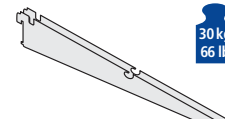
55 kg  
121 lb

10102 - .....\*



55 kg  
121 lb

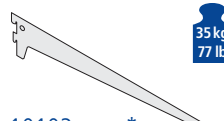
10201 - .....\*



30 kg  
66 lb

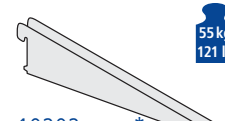
10205 - .....\*

32



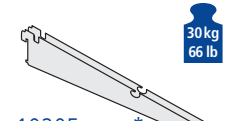
35 kg  
77 lb

10103 - .....\*



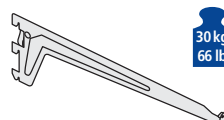
55 kg  
121 lb

10202 - .....\*



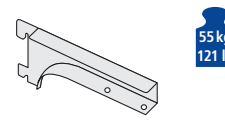
30 kg  
66 lb

10205 - .....\*



30 kg  
66 lb

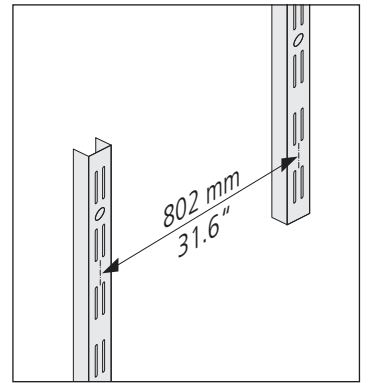
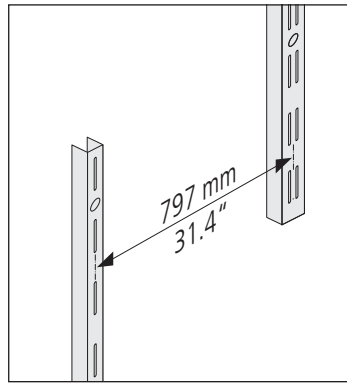
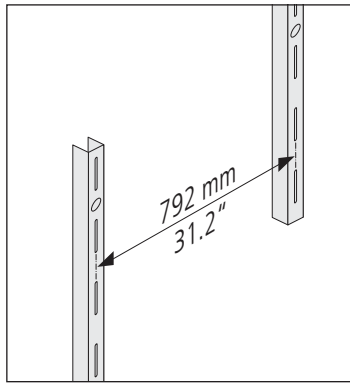
10117 - .....\*



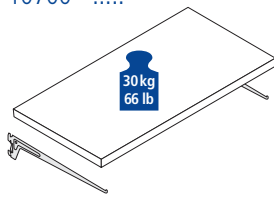
55 kg  
121 lb

10532 - .....\*

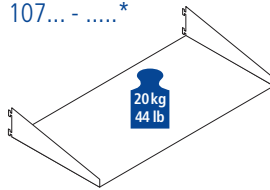
mm  
inch



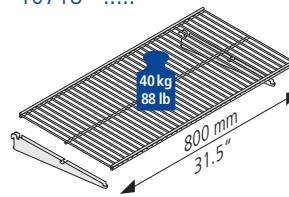
10700 - .....\*



107... - .....\*



10718 - .....\*



10707 - .....\*



10705 - .....\*



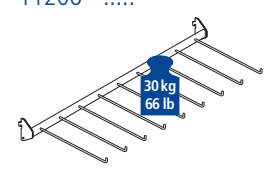
10705 - .....\*



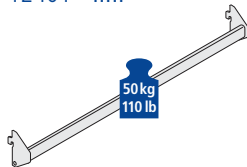
10706 - .....\*



11206 - .....\*



12401 - .....\*



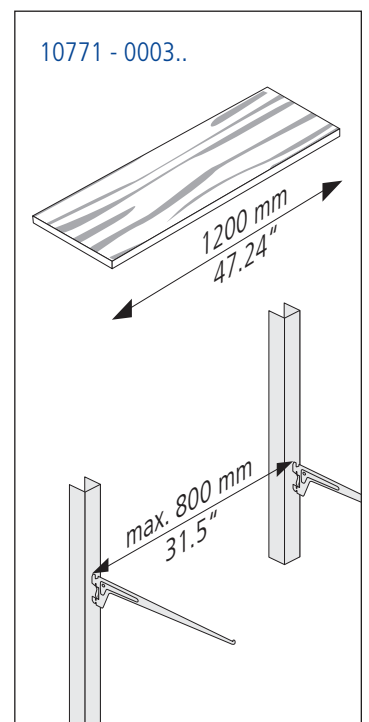
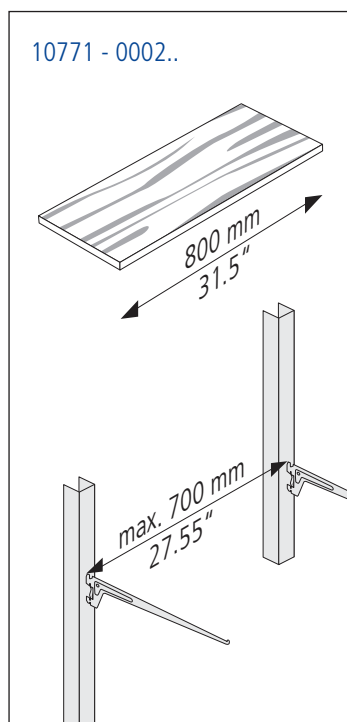
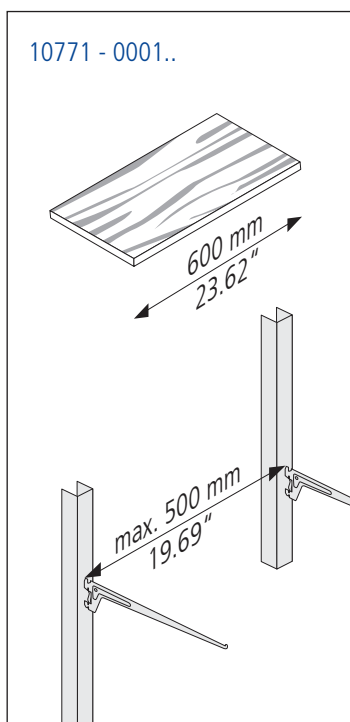
11419 - .....\*



11419 - .....\*

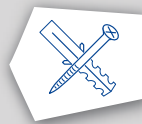
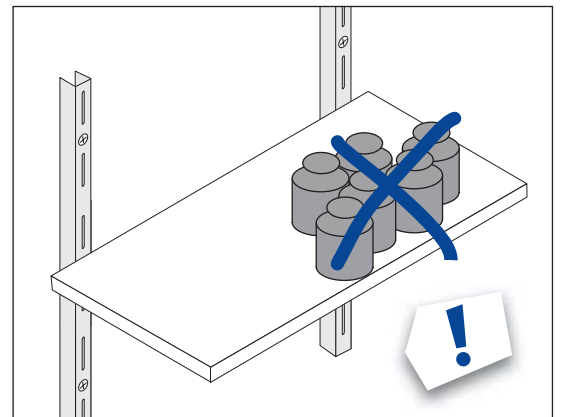
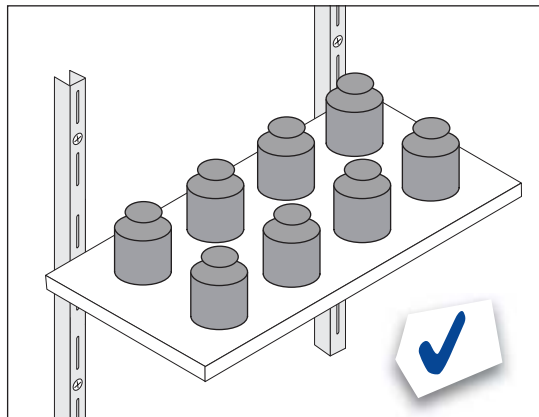
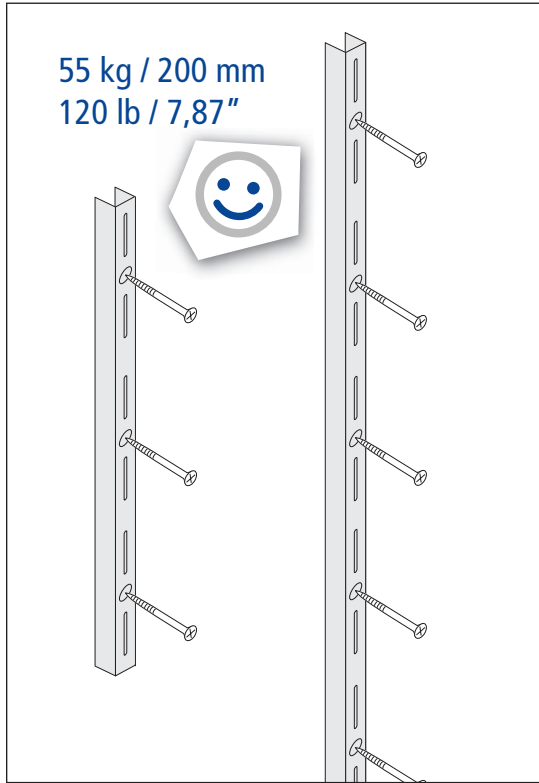


max

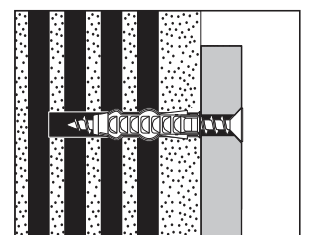
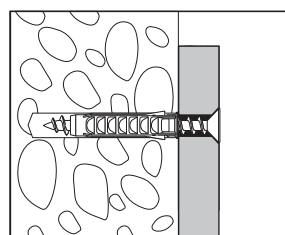
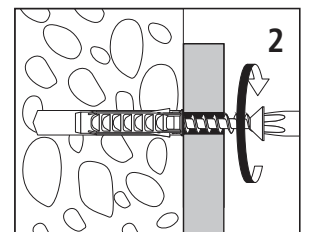
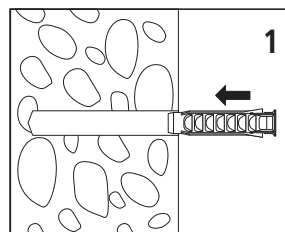
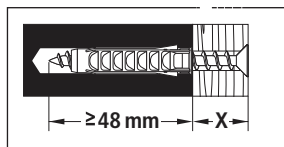
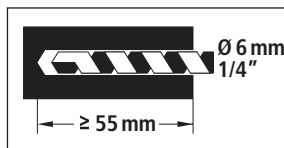
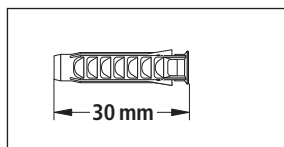


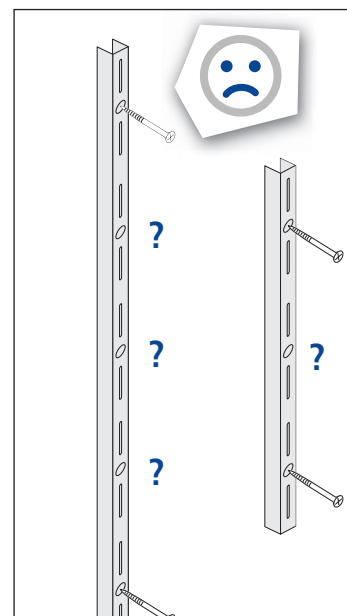
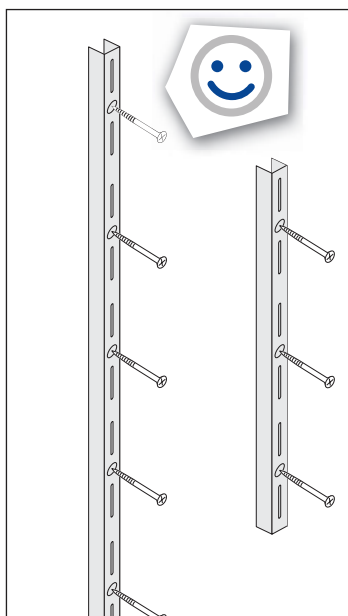
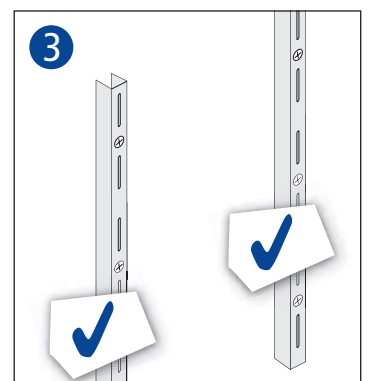
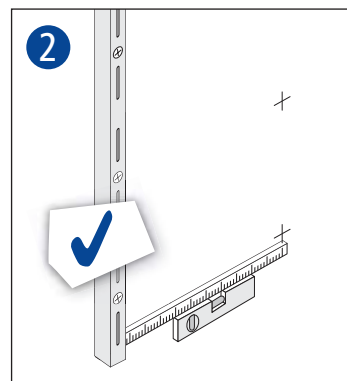
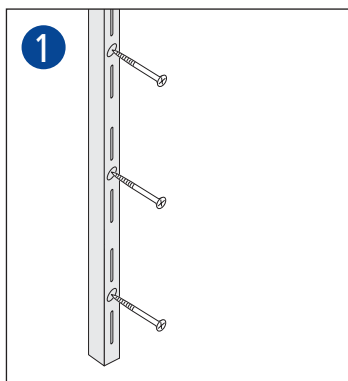
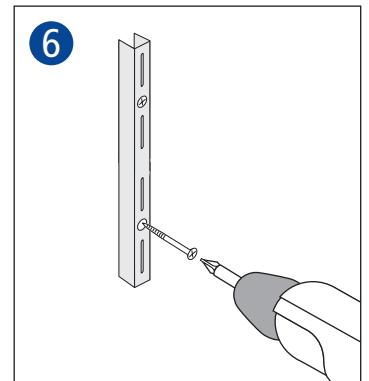
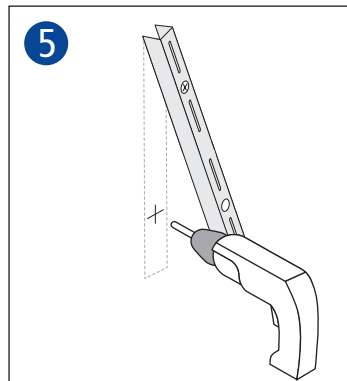
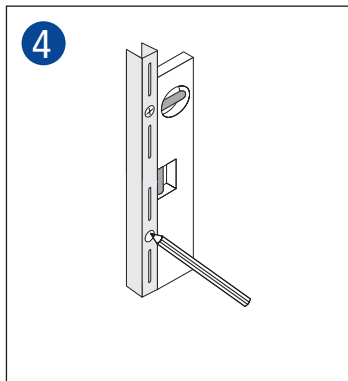
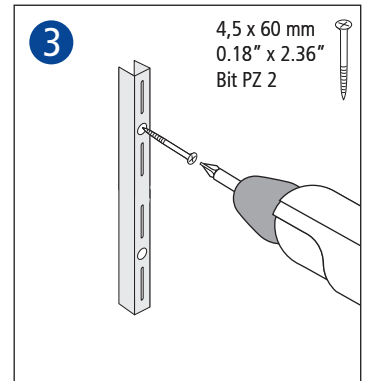
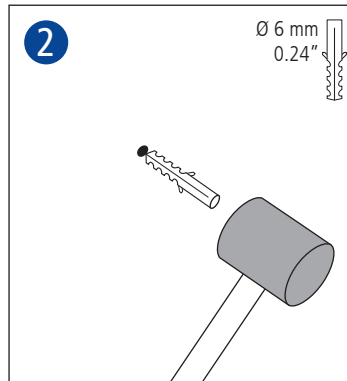
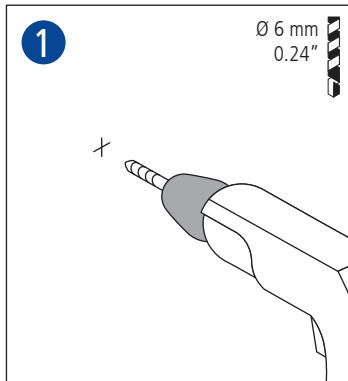
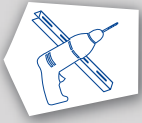


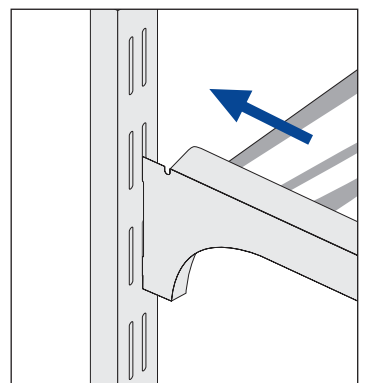
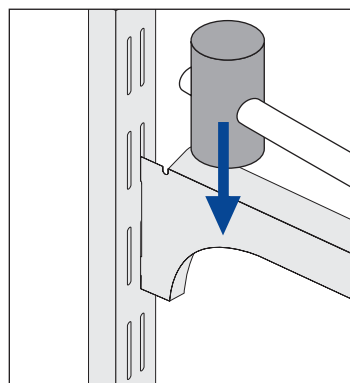
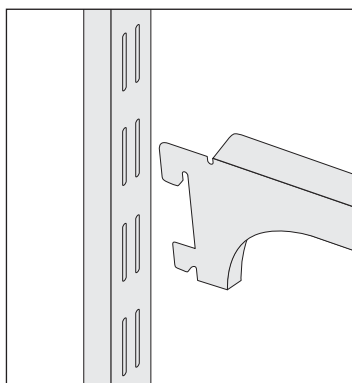
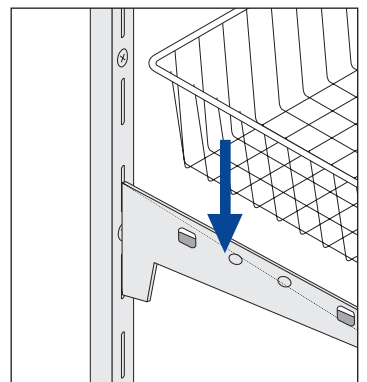
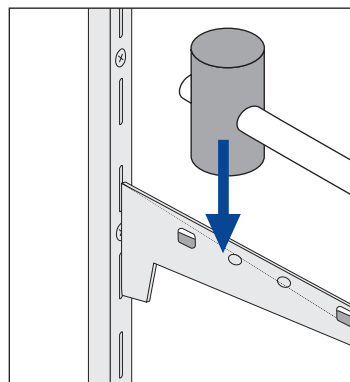
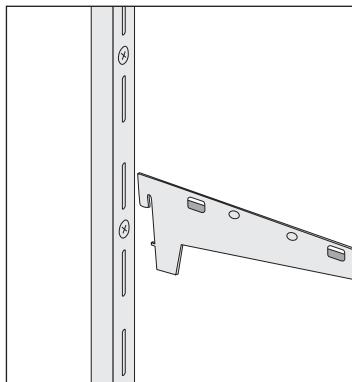
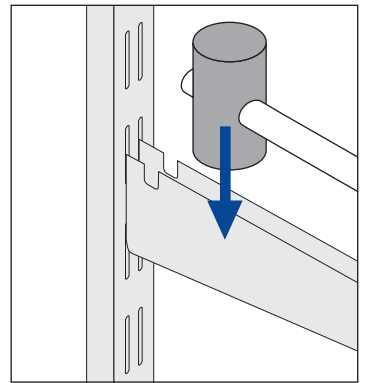
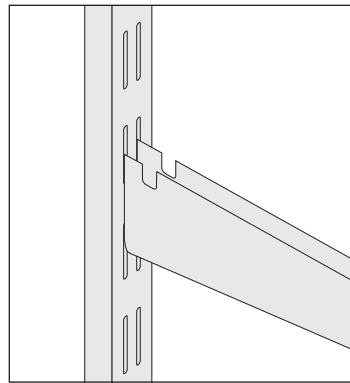
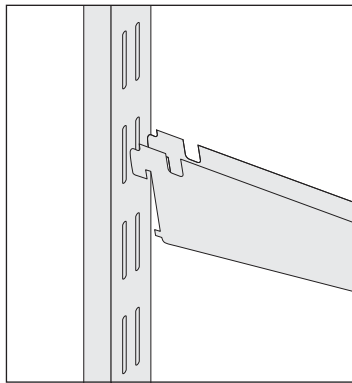
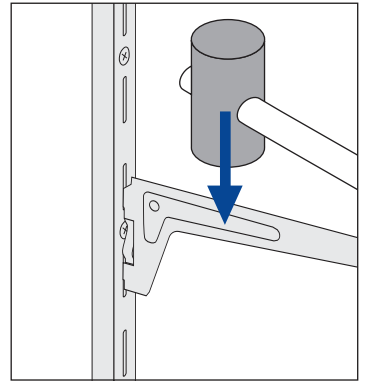
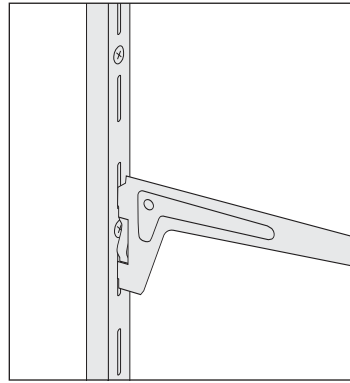
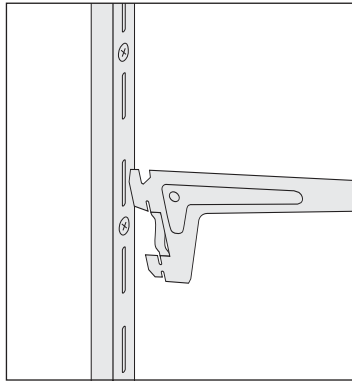
55 kg / 200 mm  
120 lb / 7,87"

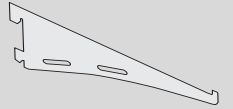


11602-00000

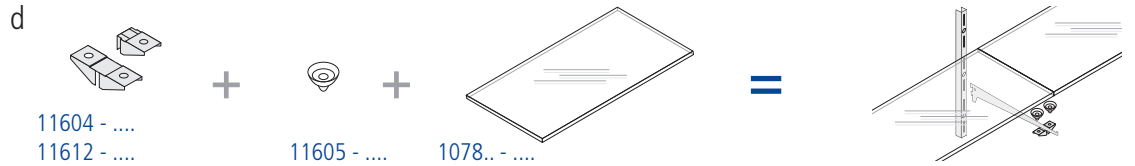
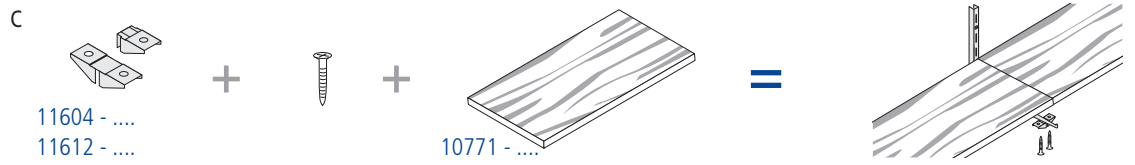
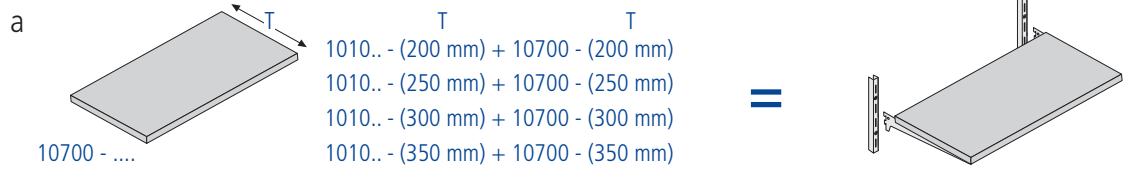




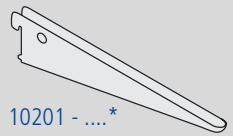
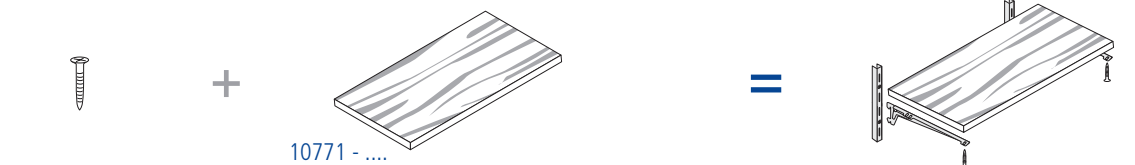




10102 - ....\*



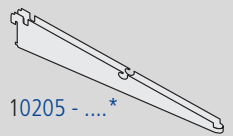
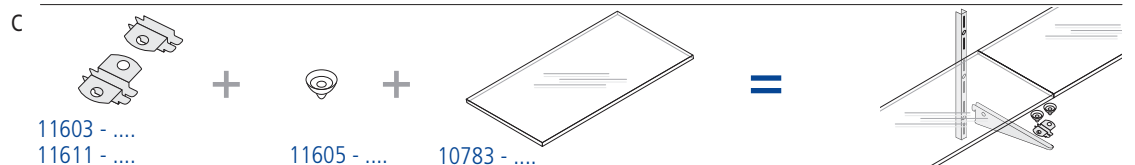
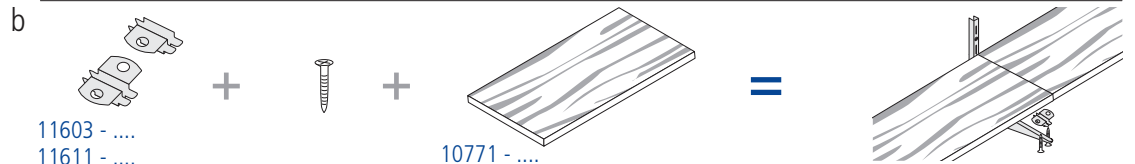
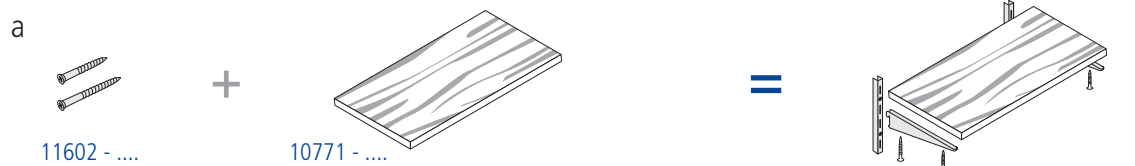
10300 - ....\*



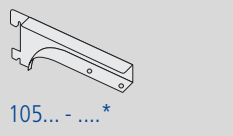
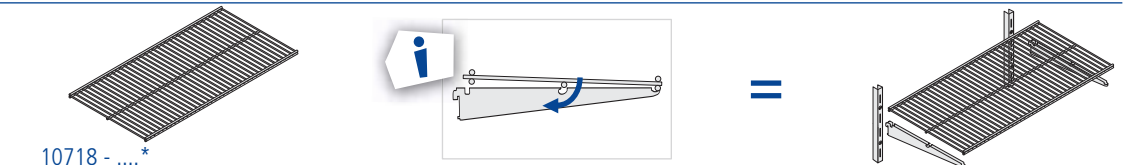
10201 - ....\*



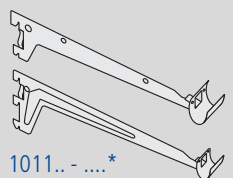
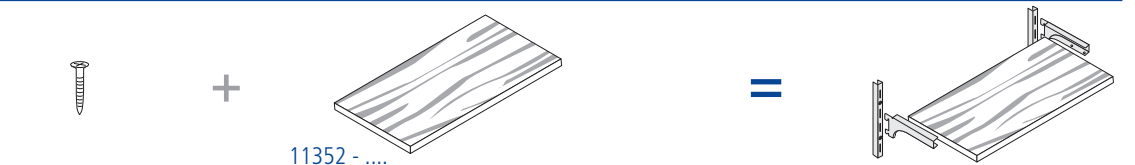
10202 - ....\*



10205 - ....\*



105... - ....\*



1011.. - ....\*

