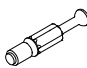



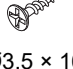
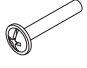
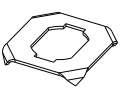
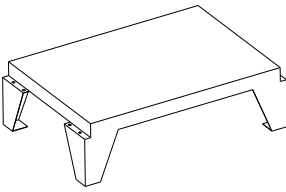
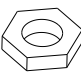
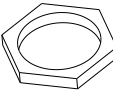
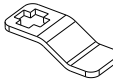
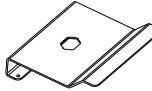
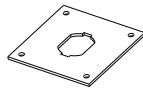
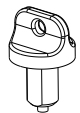
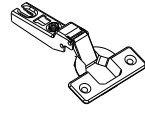



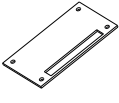
 Ø8 × 35					 Ø3,5 × 16	 Ø6 × 30	
A 23×	B 22×	C 22×	D 22×	E 4×	F 20×	G 4×	H 2×
							
	J 2×	K 2×	M 2×	N 2×	O 2×	P 2×	
I 1×				 Ø4,5 × 16			
	Q 8×	R 8×	S 2×	T 20×	U 2×		

1

273 × 370  
4×

2

1623 × 400  
2×

3

604 × 420  
1×

4

1582 × 400  
1×

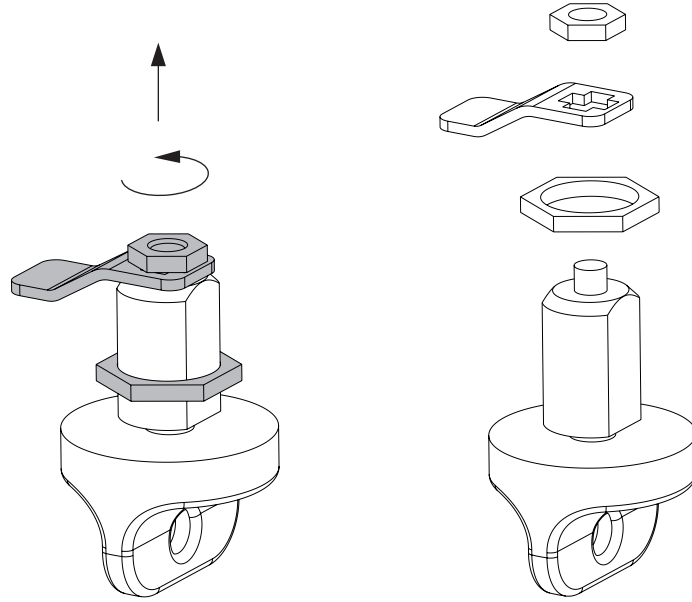
5

1615 × 289  
2×

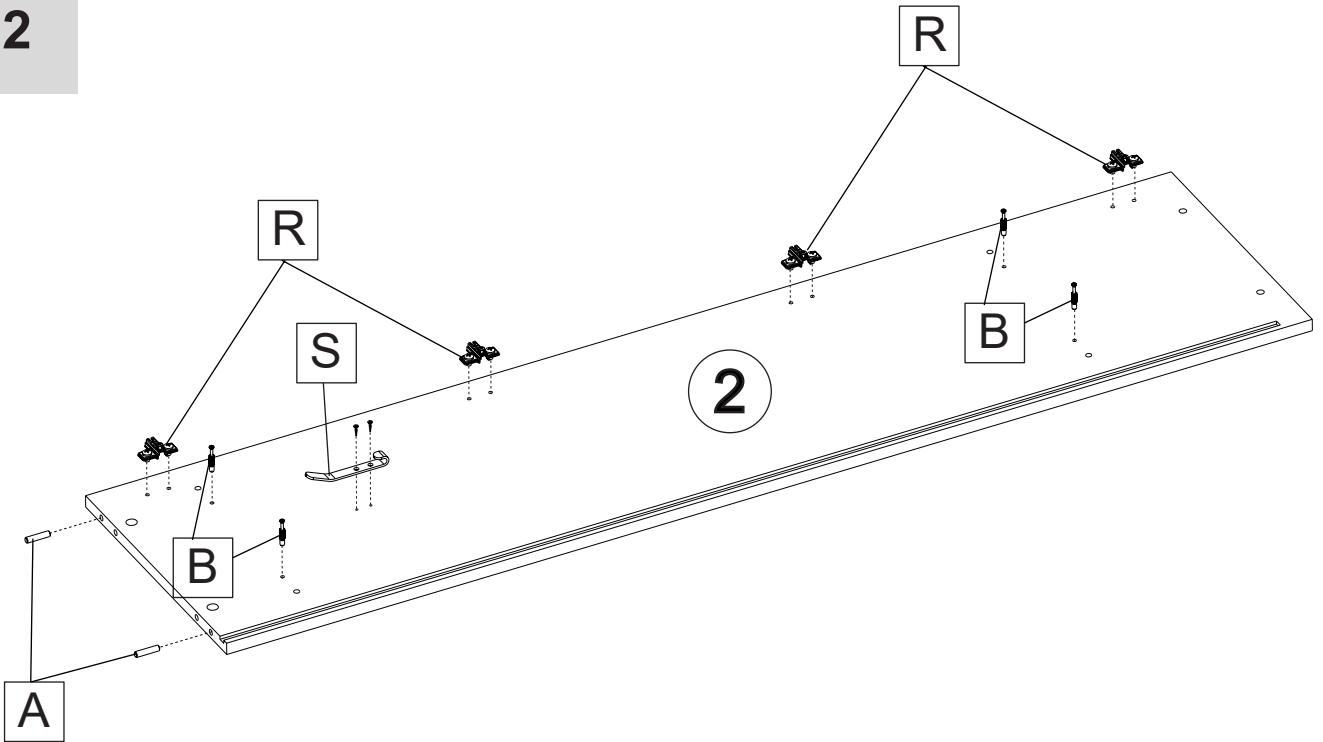
6

1590 × 286  
2×

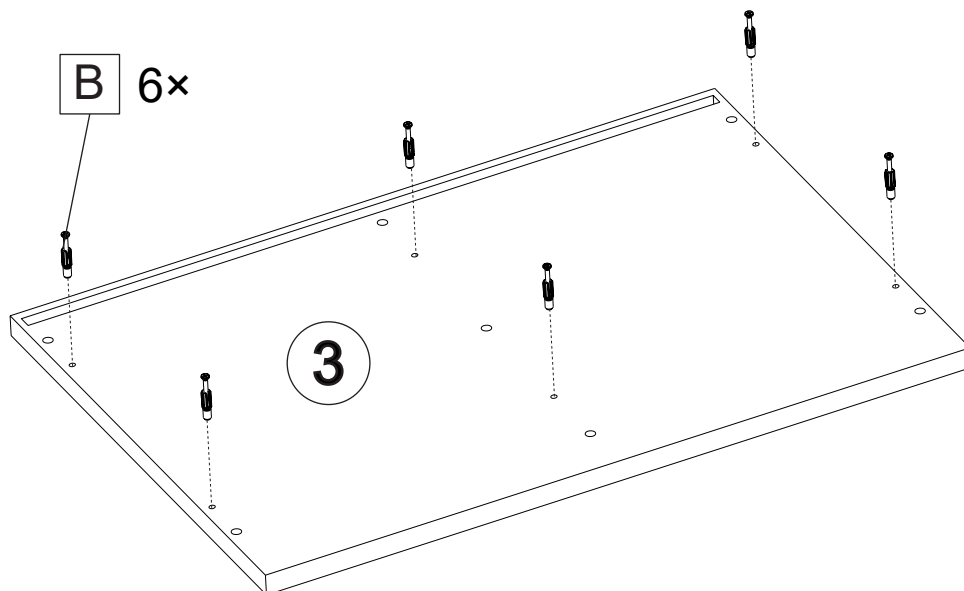
1



2

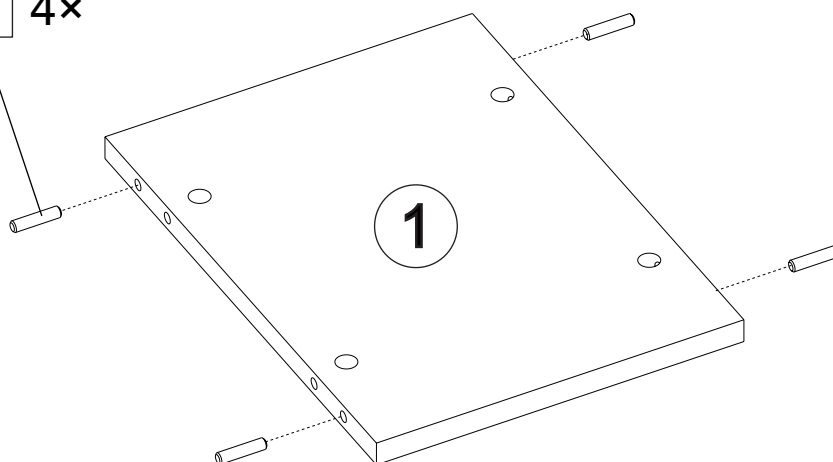


3

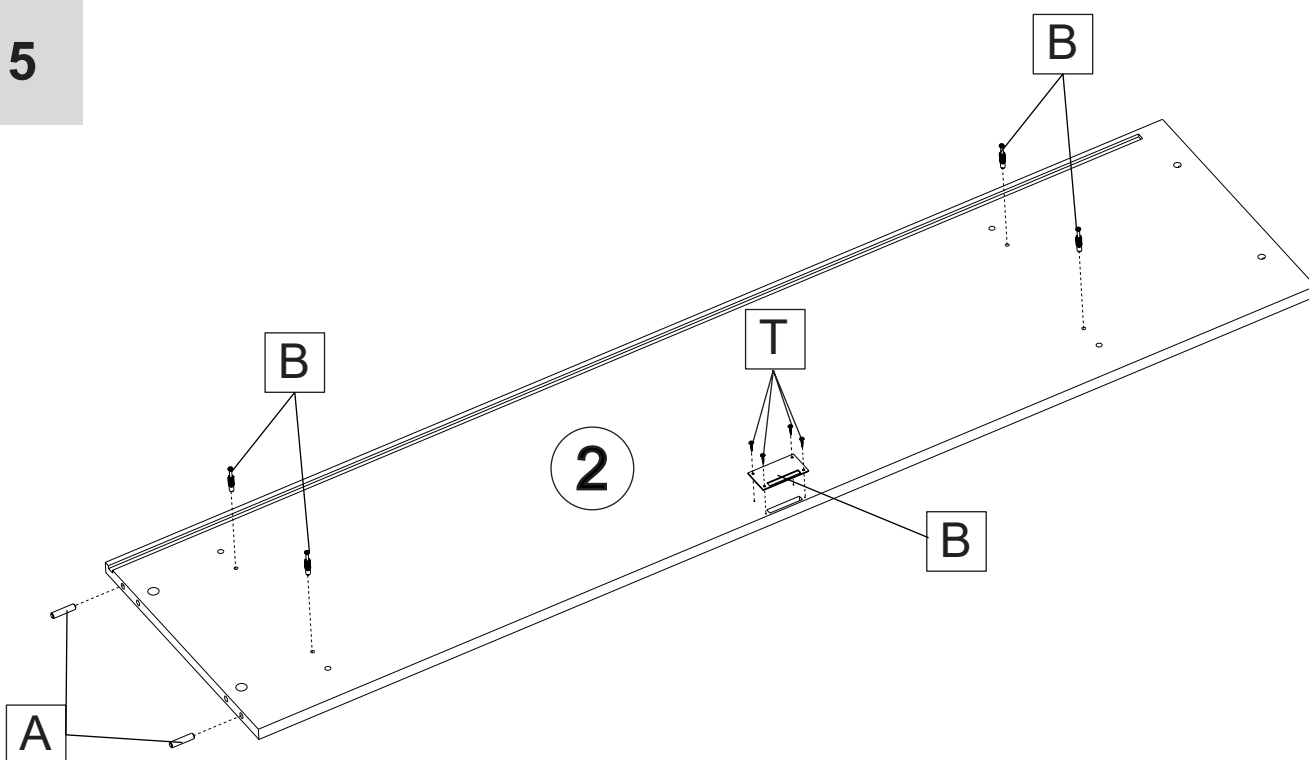


4

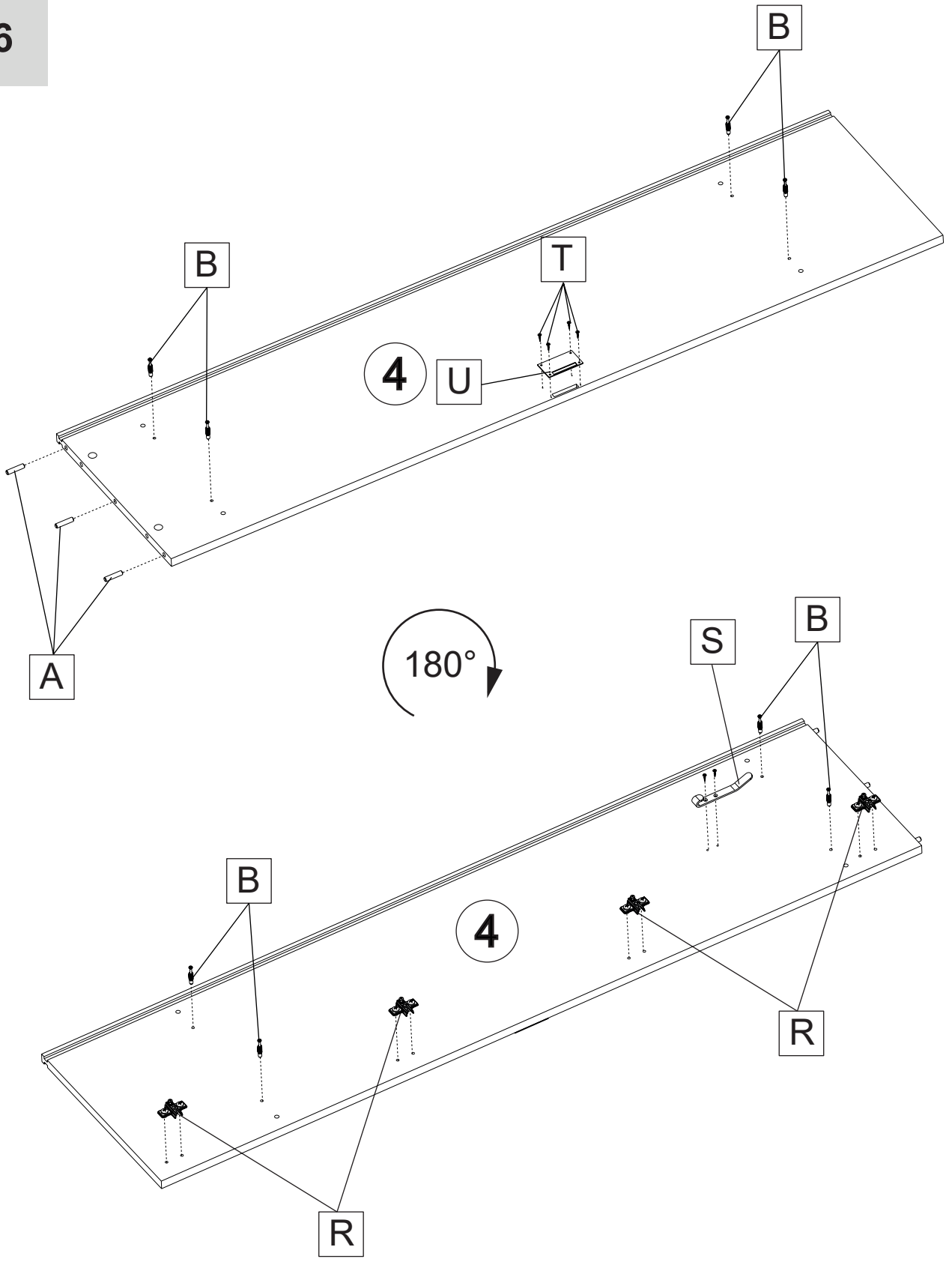
4x A 4x



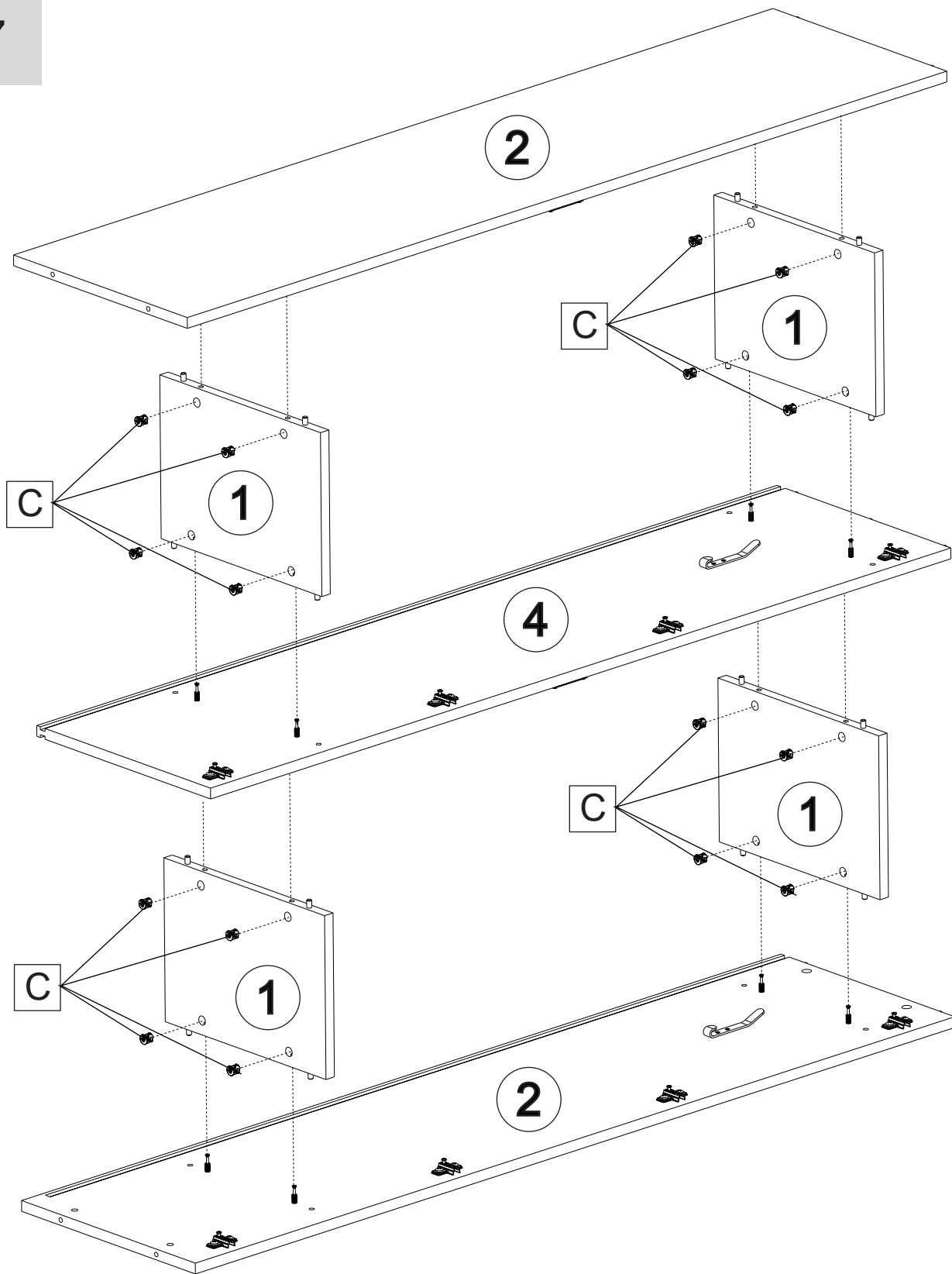
5



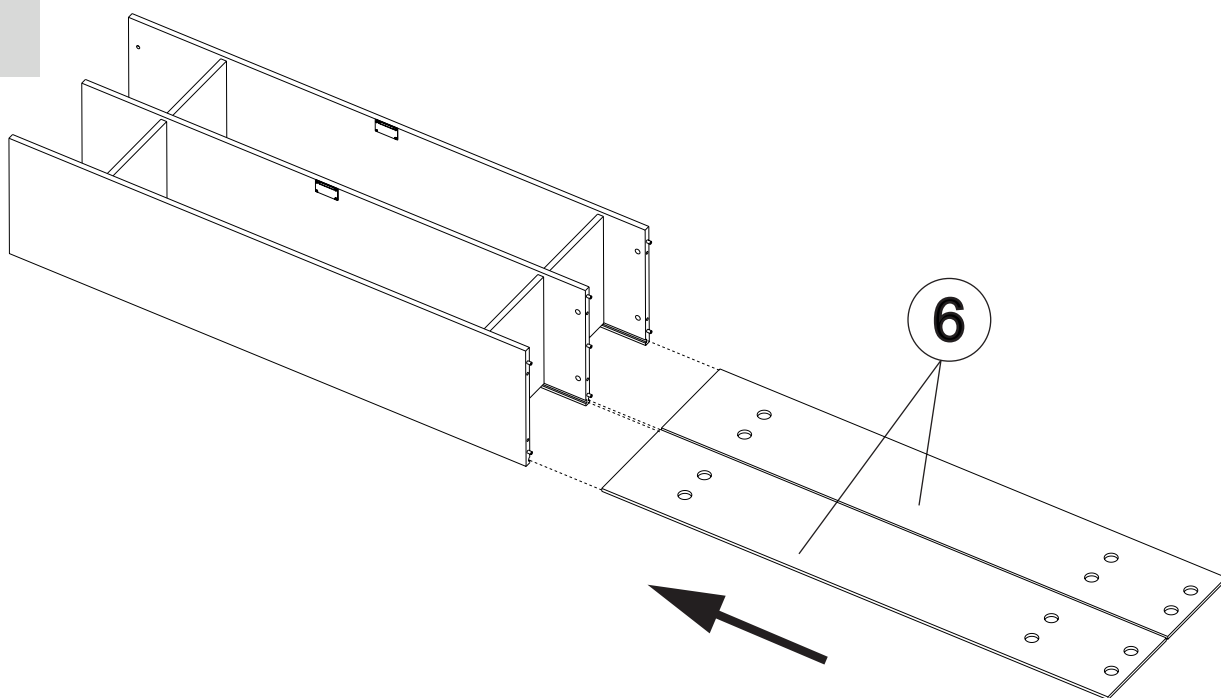
6



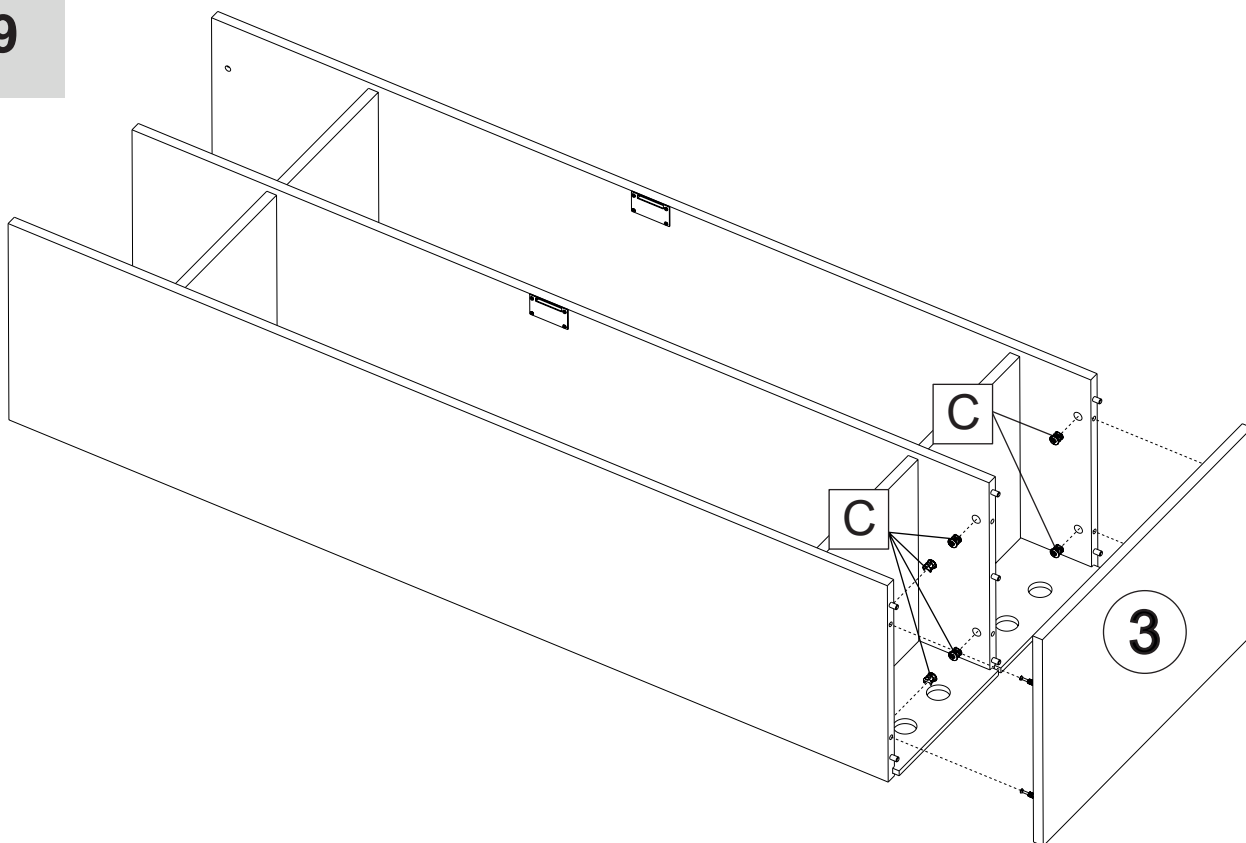
7



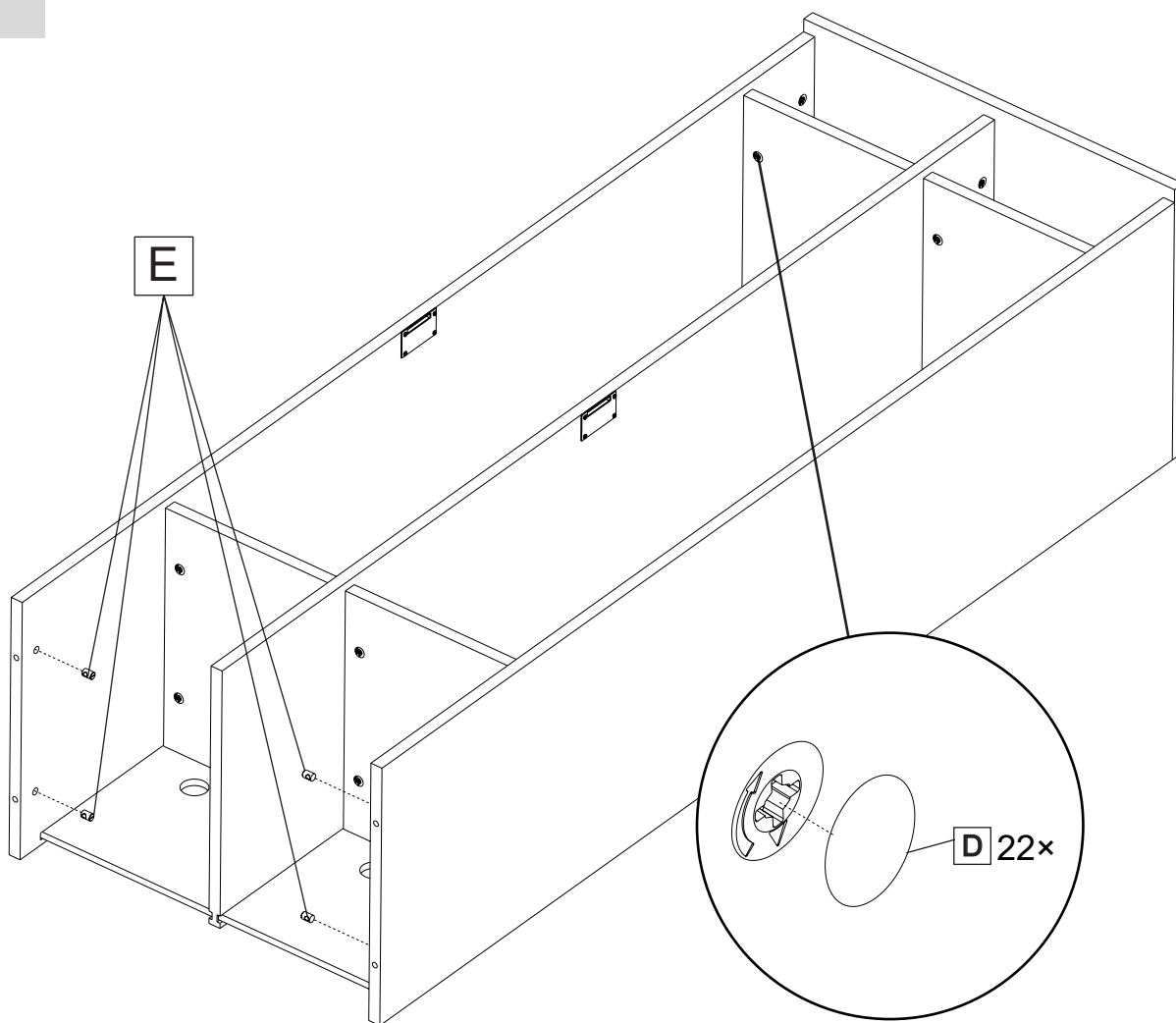
8



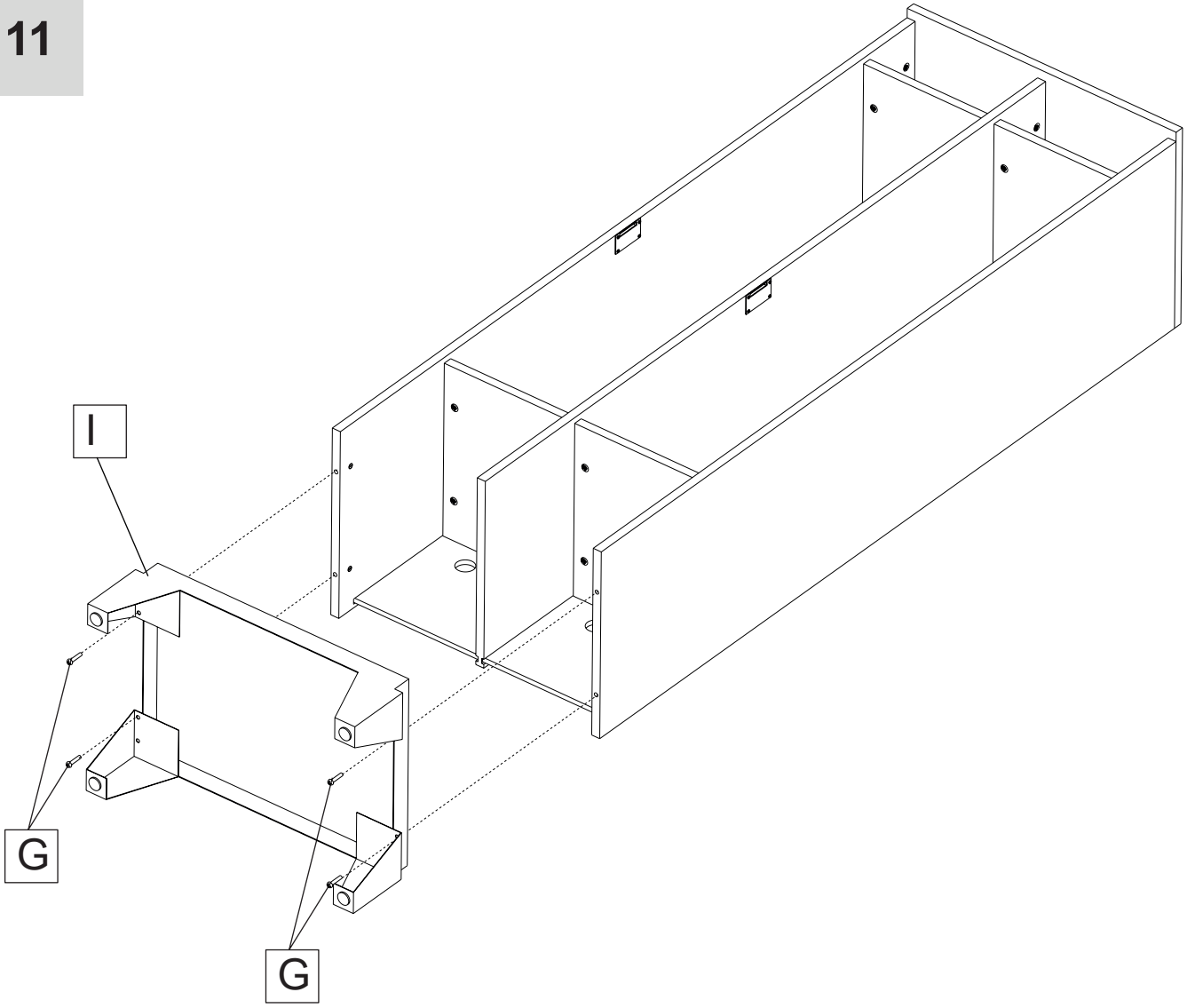
9



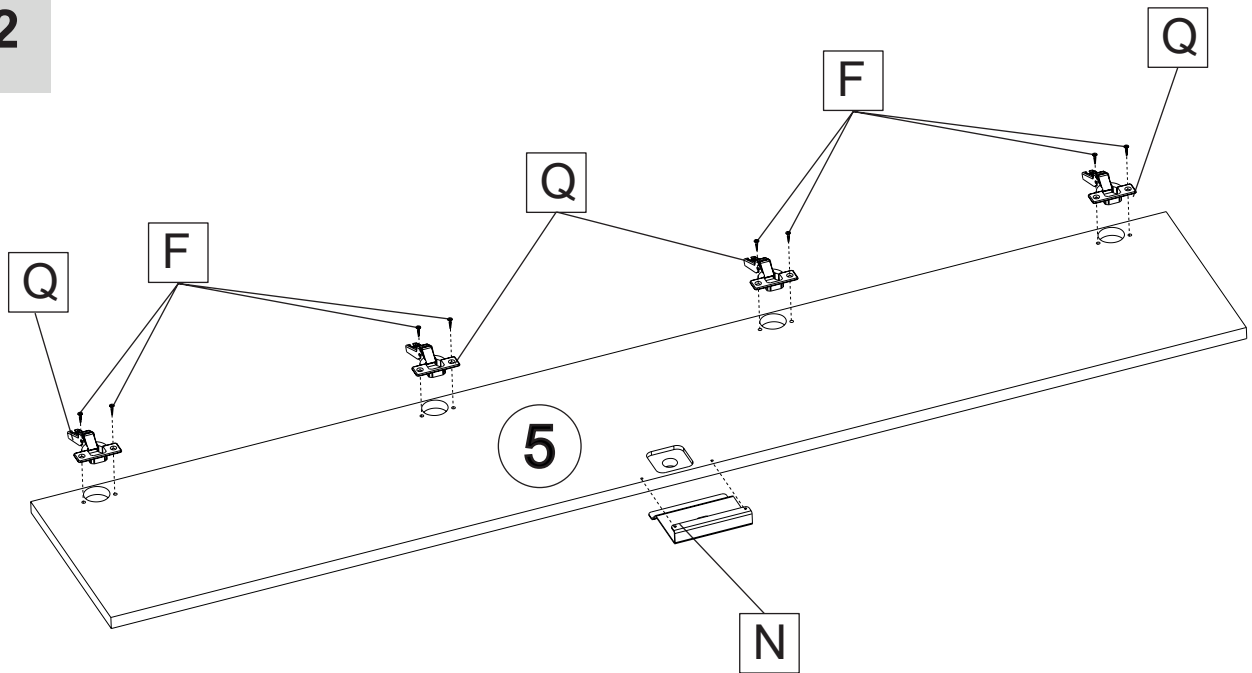
10



11

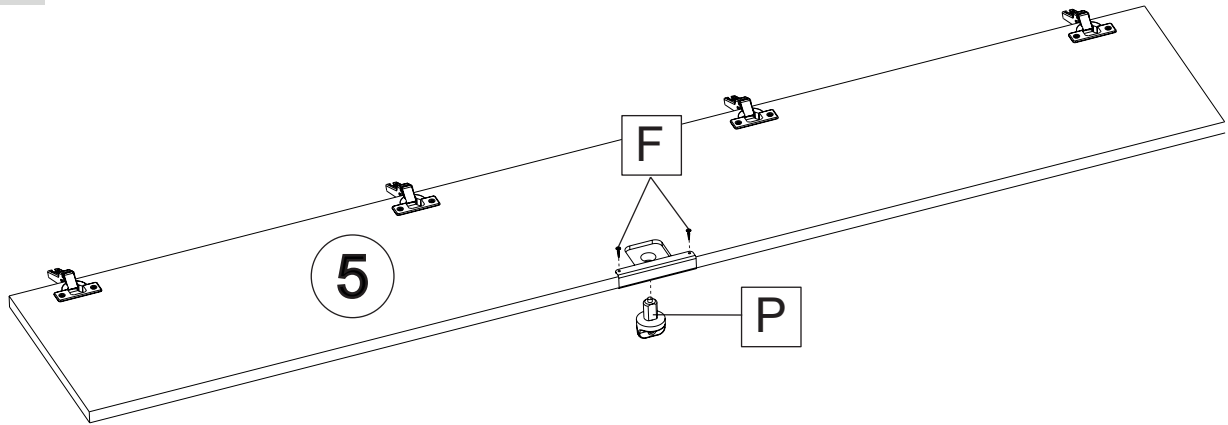


12





13



14

