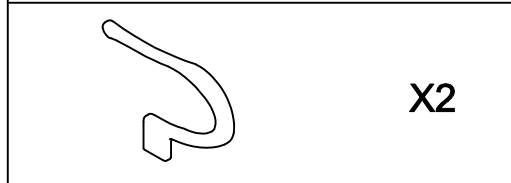
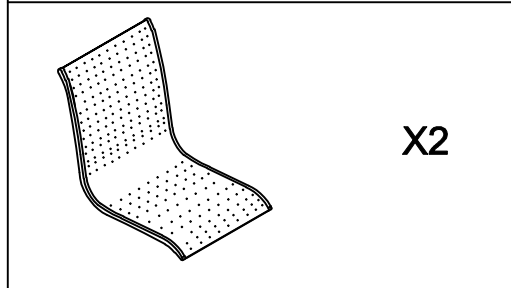


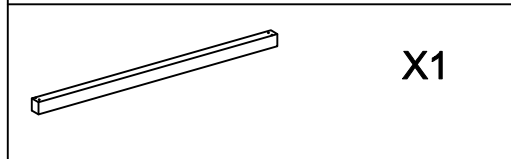
X2



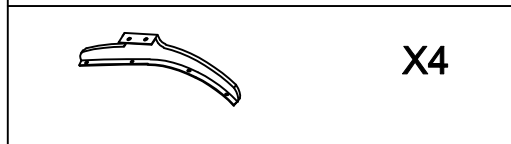
X2



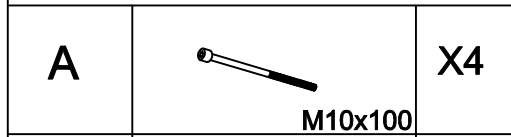
X2



X1



X4



A



M10x100

X4



B



M8x12

X16

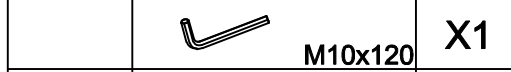


C



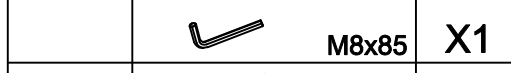
M8x16

X8



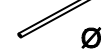
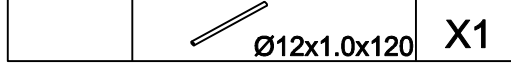
M10x120

X1



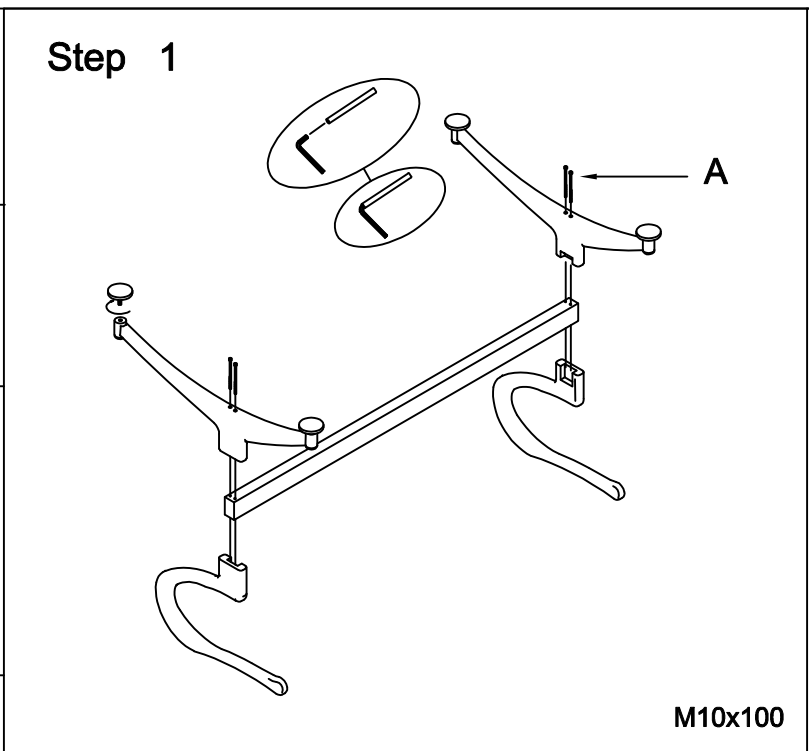
M8x85

X1

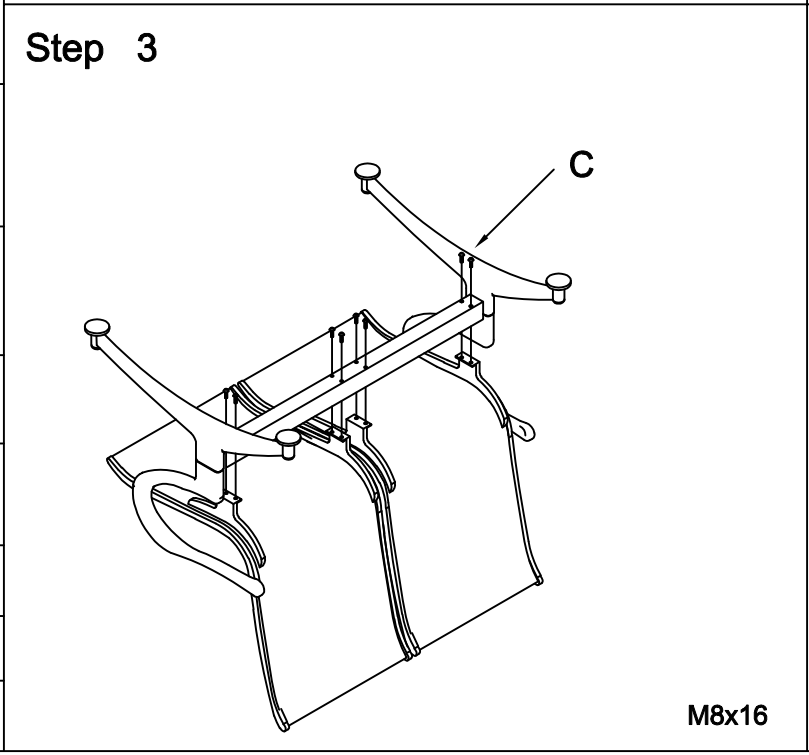


Ø12x1.0x120

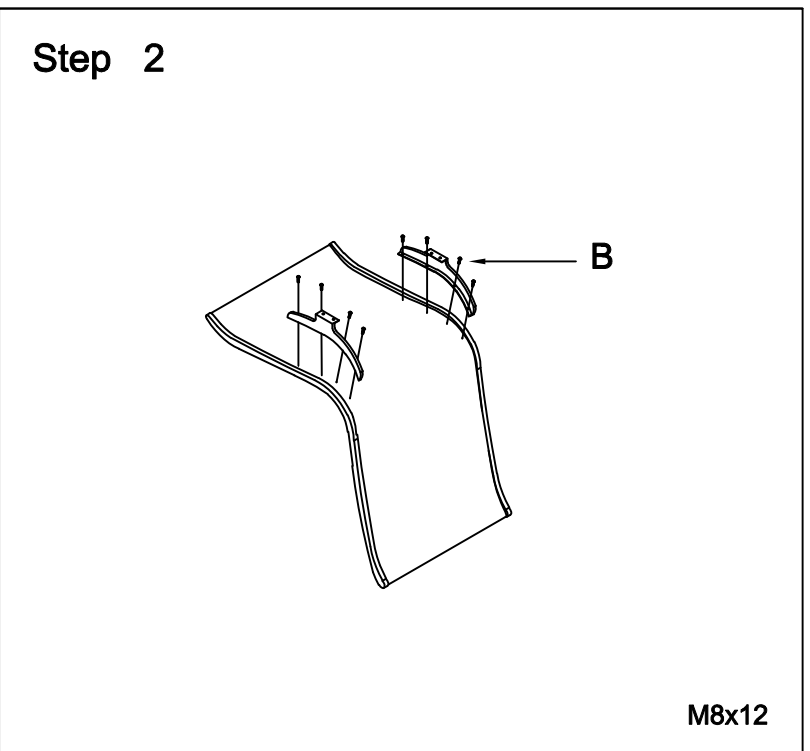
X1



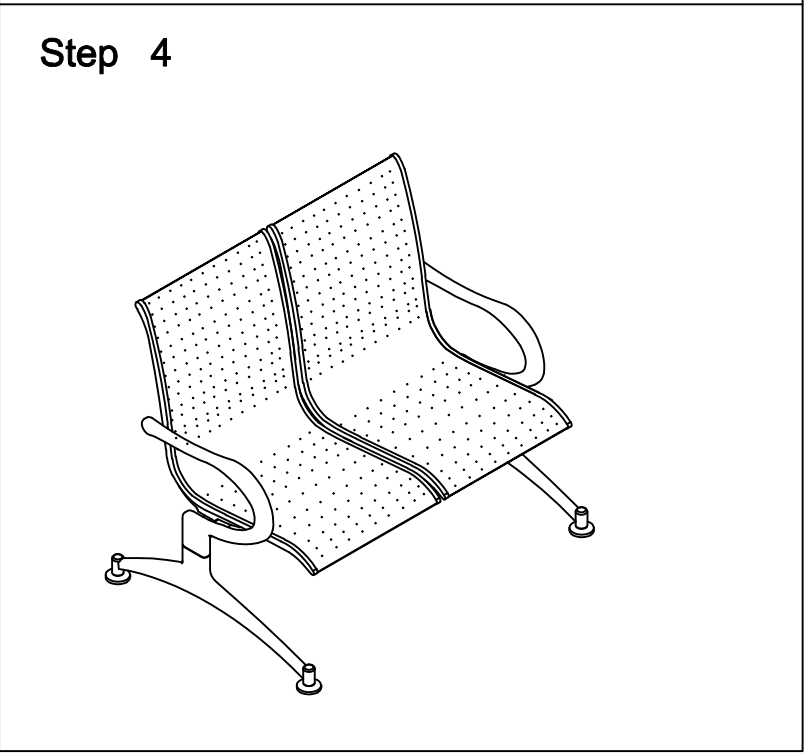
M10x100



M8x16



M8x12



M8x16