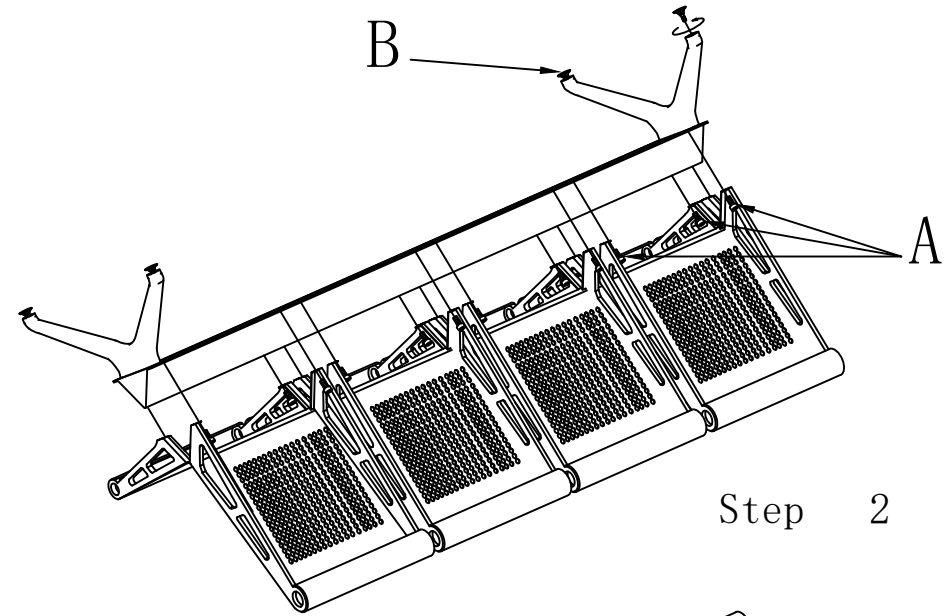
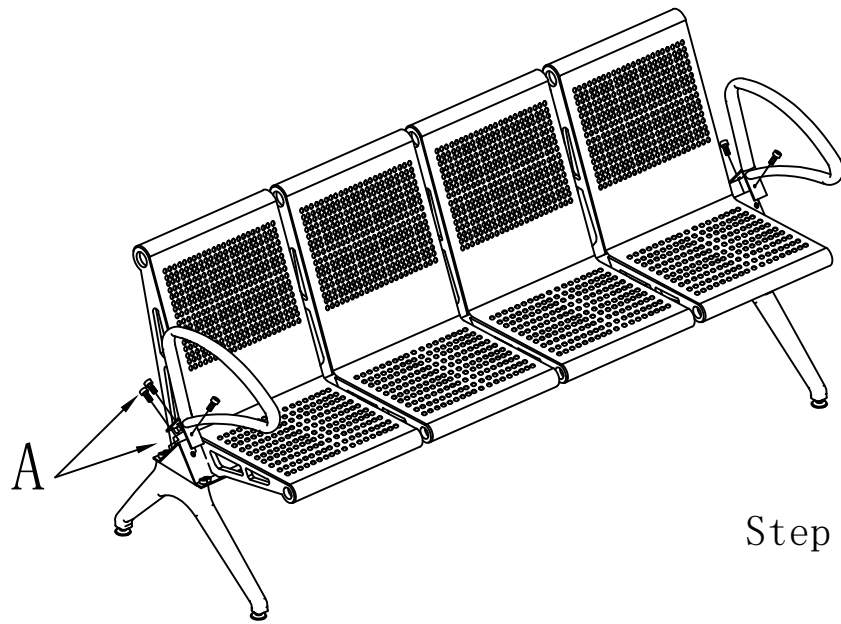


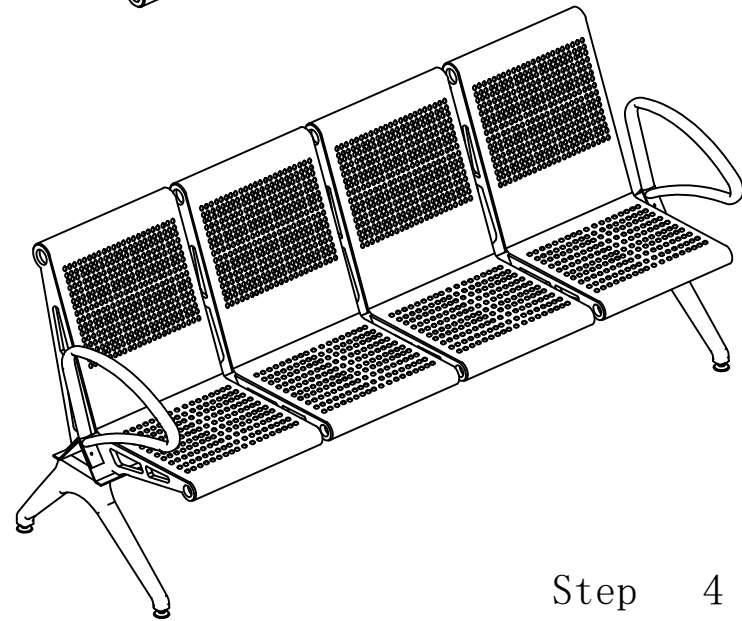
Step 1





Step 2



Step 3



Step 4

A		30
B		4