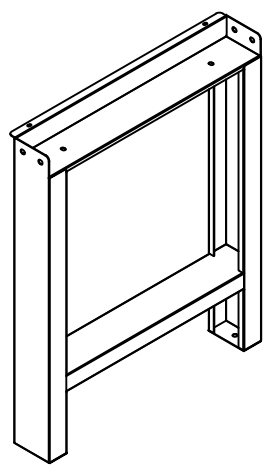
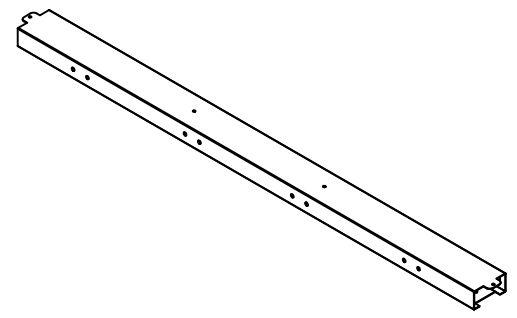


A



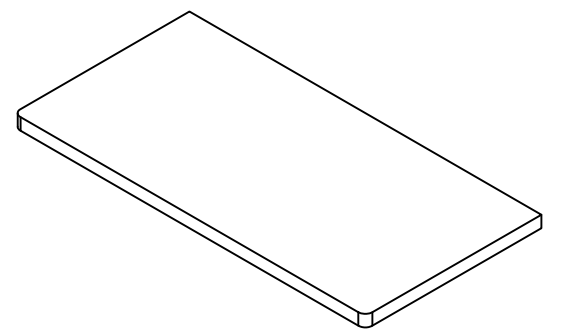
1Pc

B



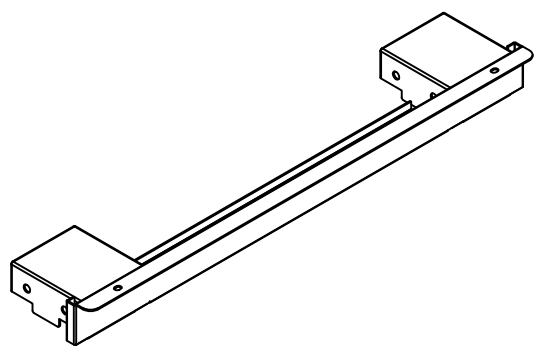
2Pcs

C



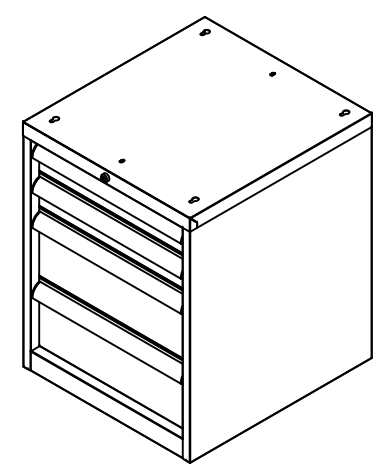
1Pc

D



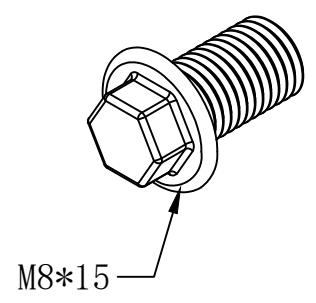
1Pc

E



1Pc

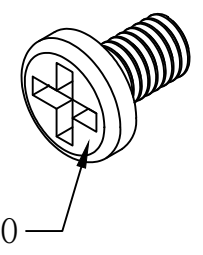
a



M8*15

8Pcs

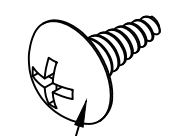
b



M6*10

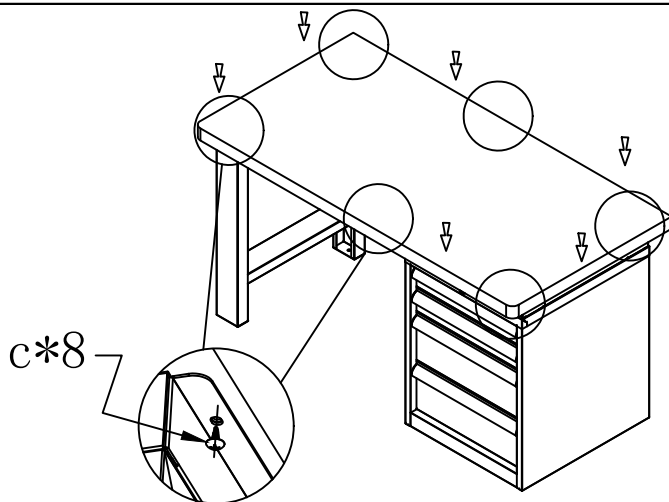
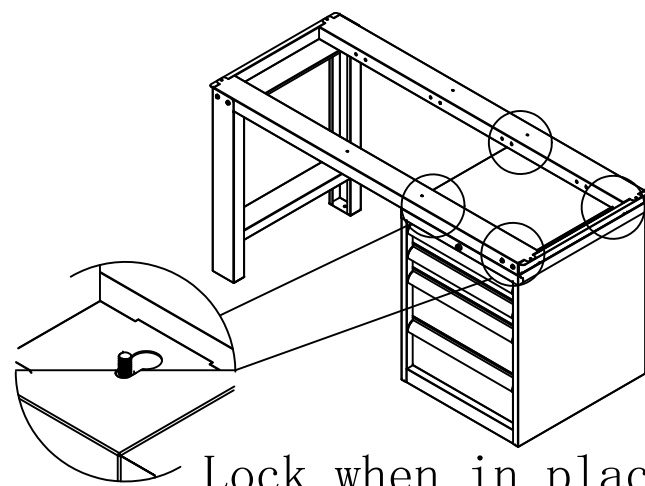
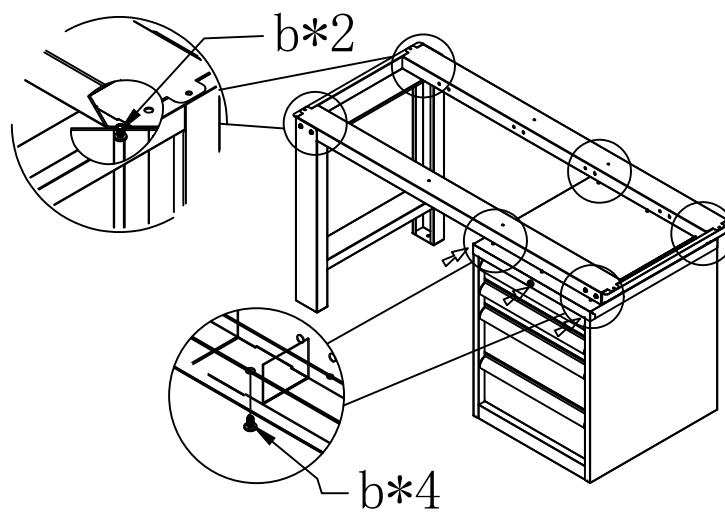
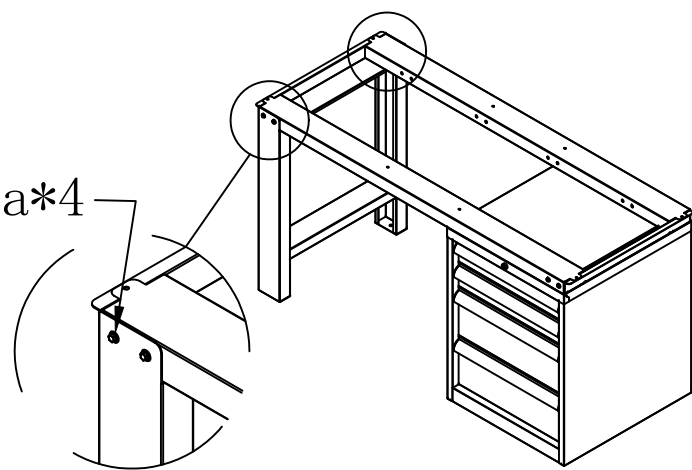
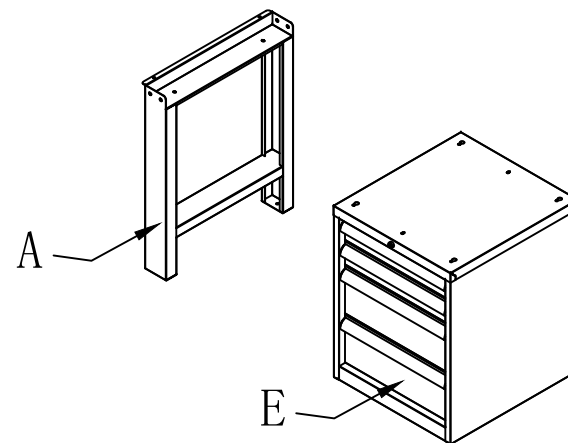
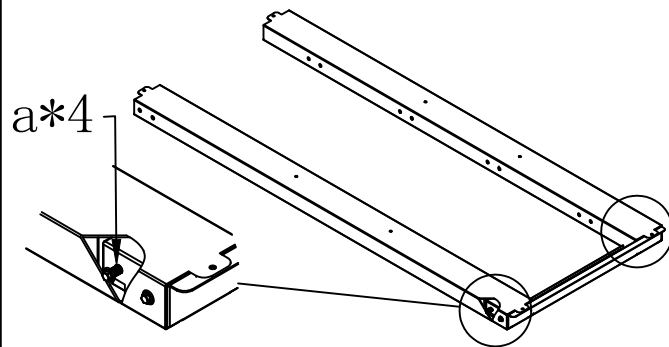
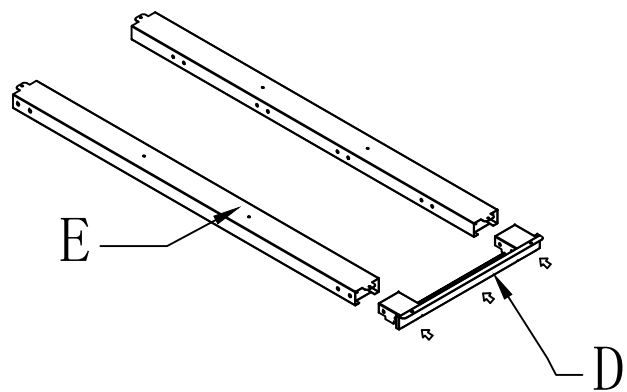
6Pcs

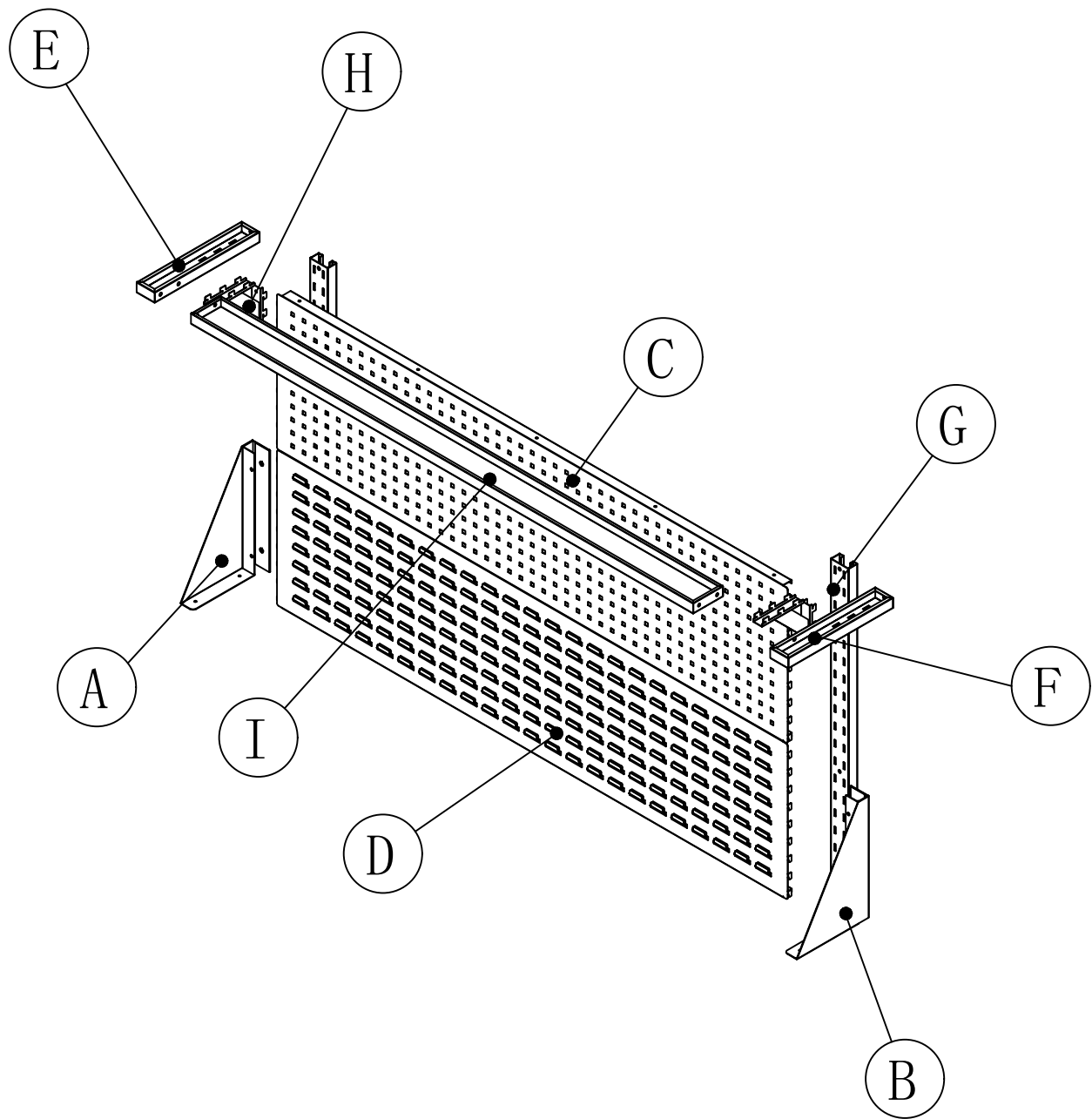
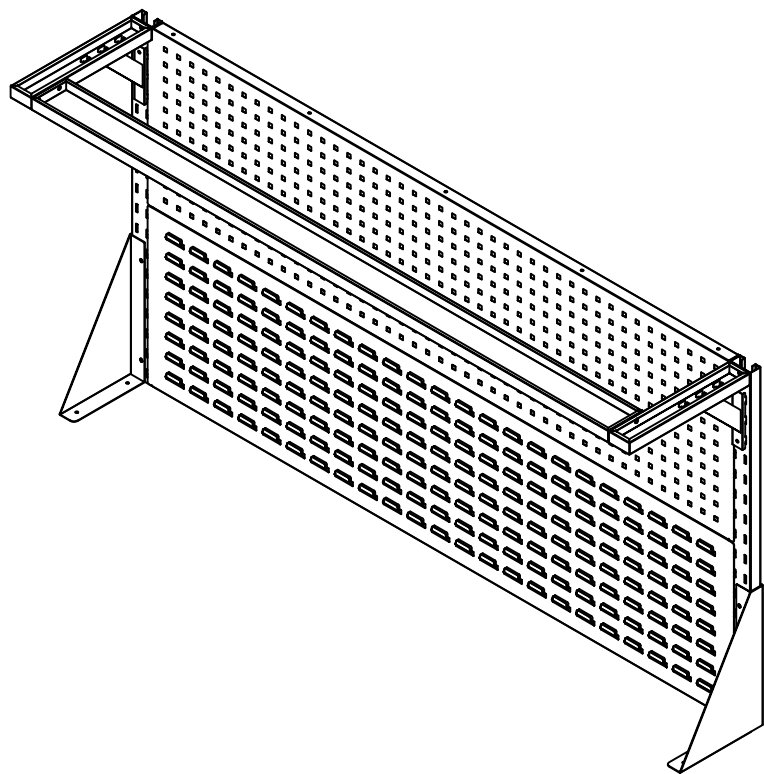
c

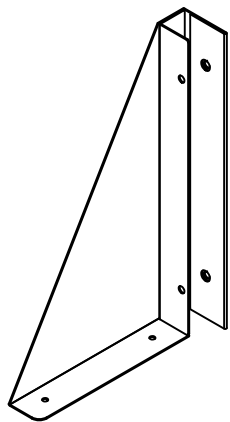


M5*15

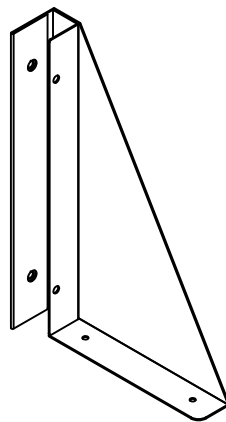
8Pcs



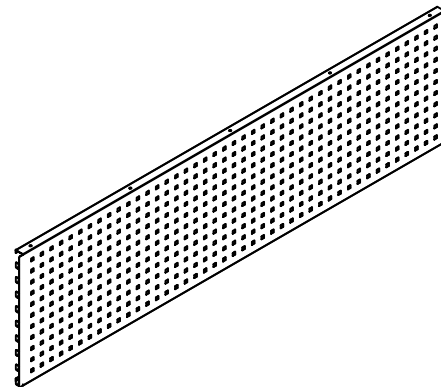


A

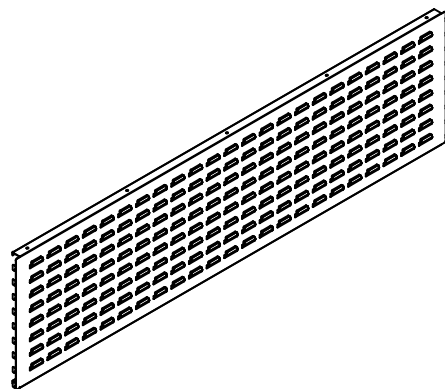
1Pc

B

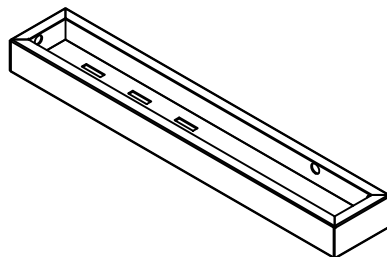
1Pc

C

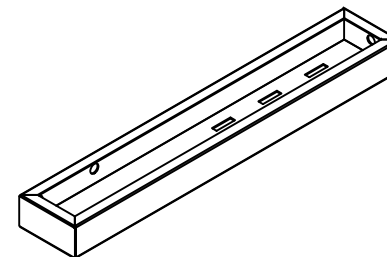
1Pc

D

1Pc

E

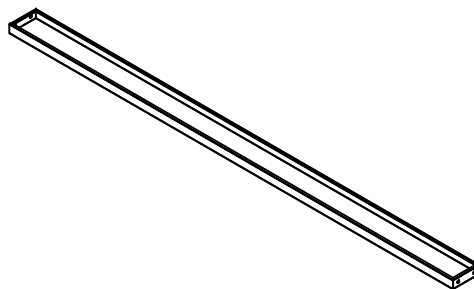
1Pc

F

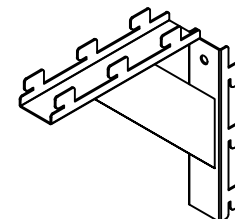
1Pc

G

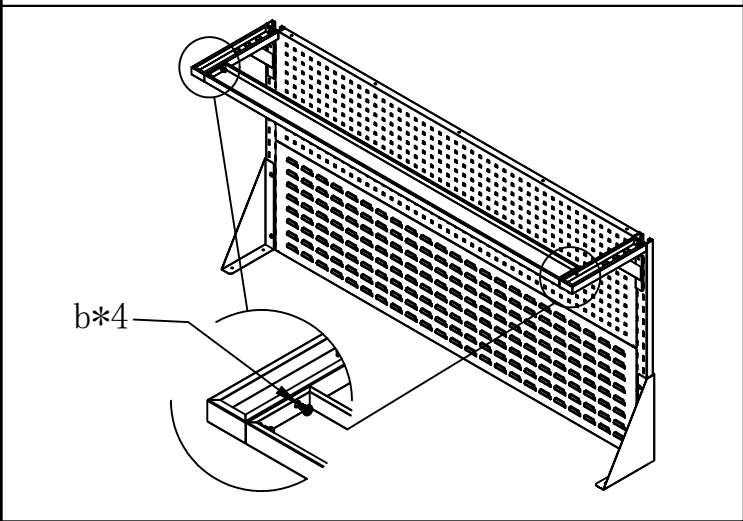
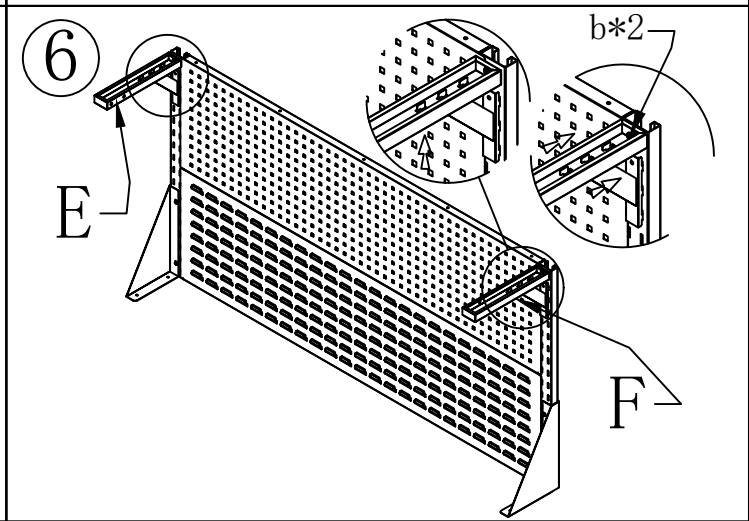
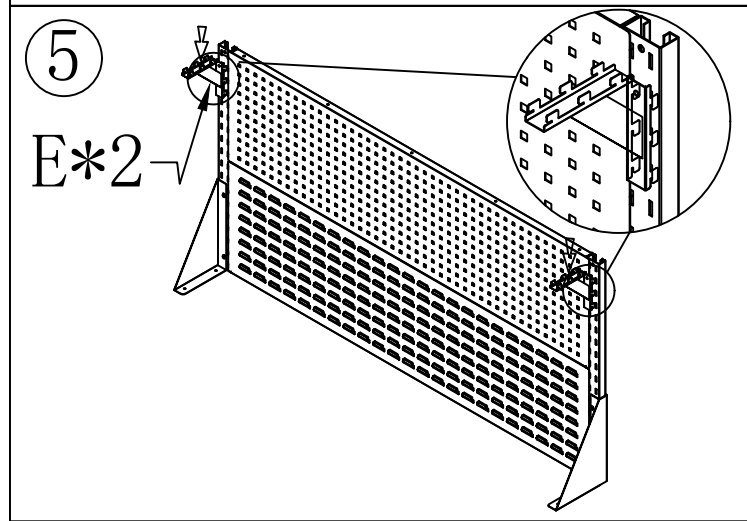
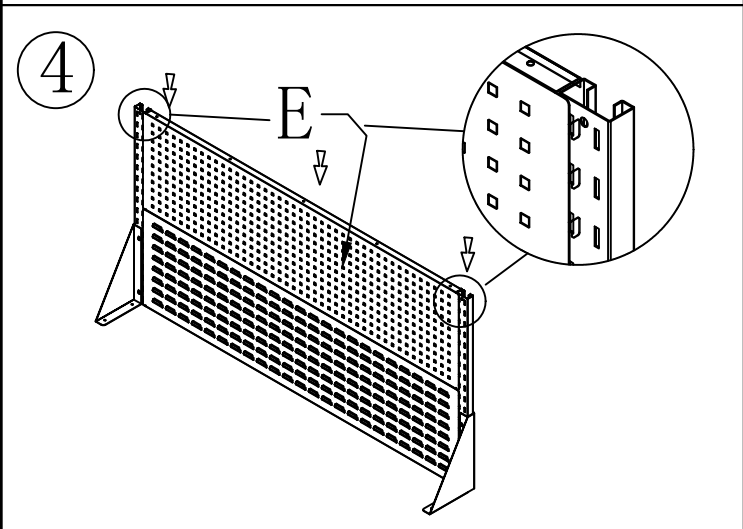
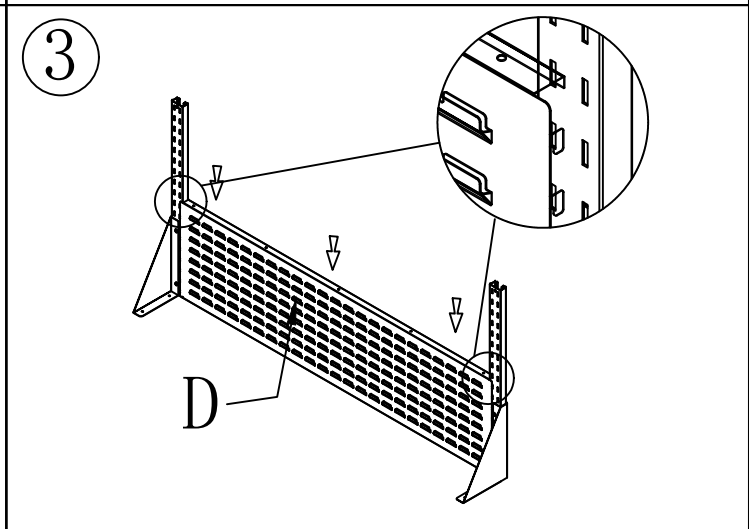
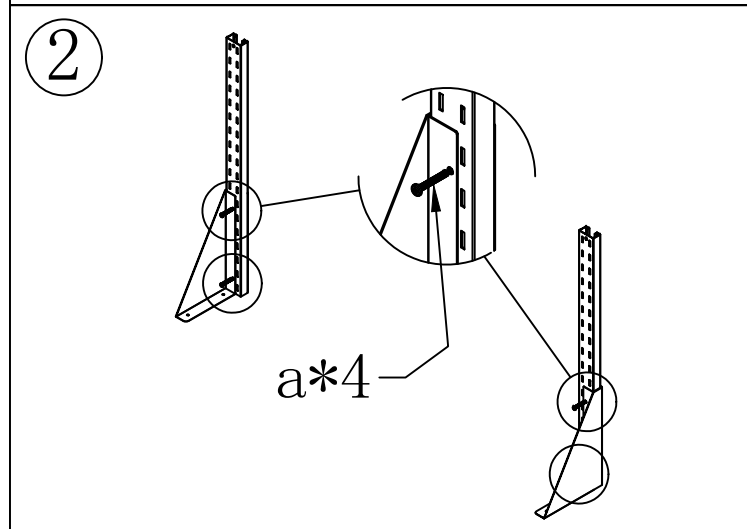
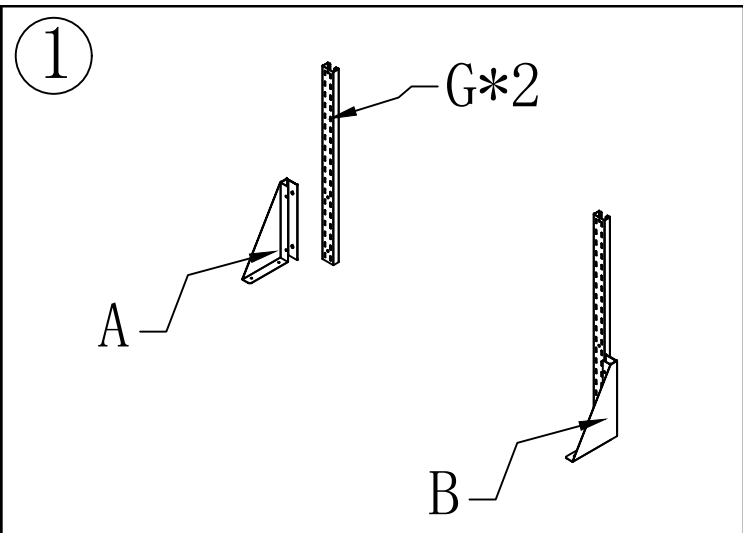
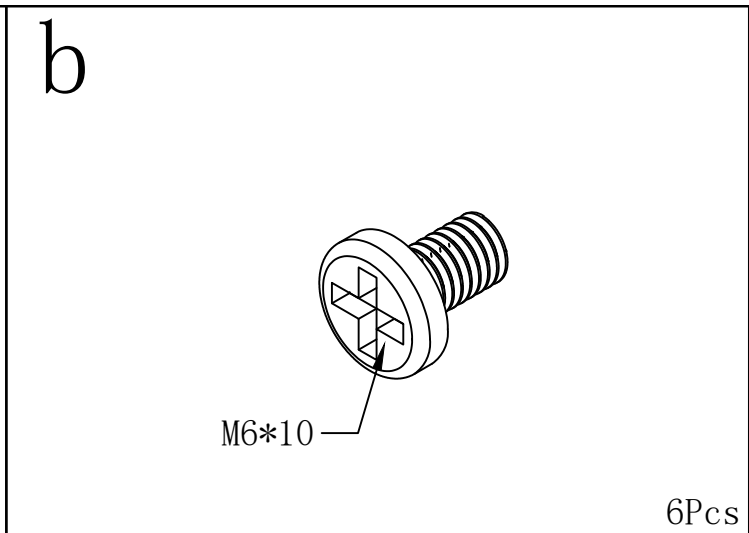
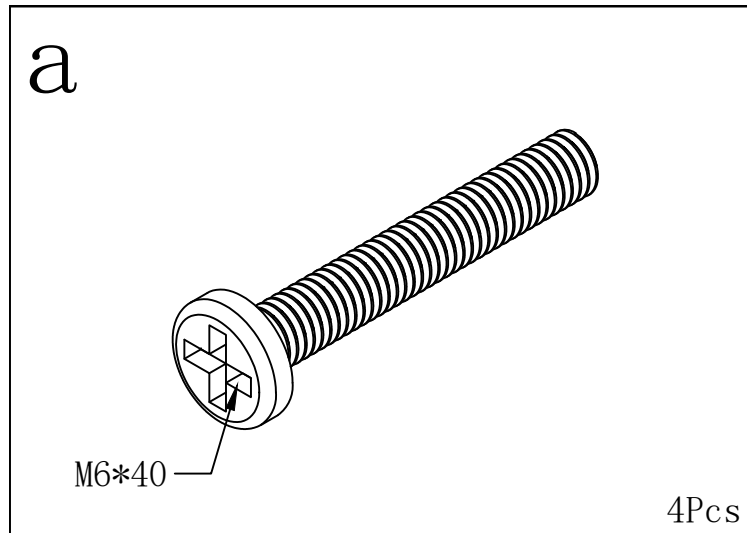
2Pcs

H

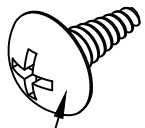
1Pc

I

2Pcs

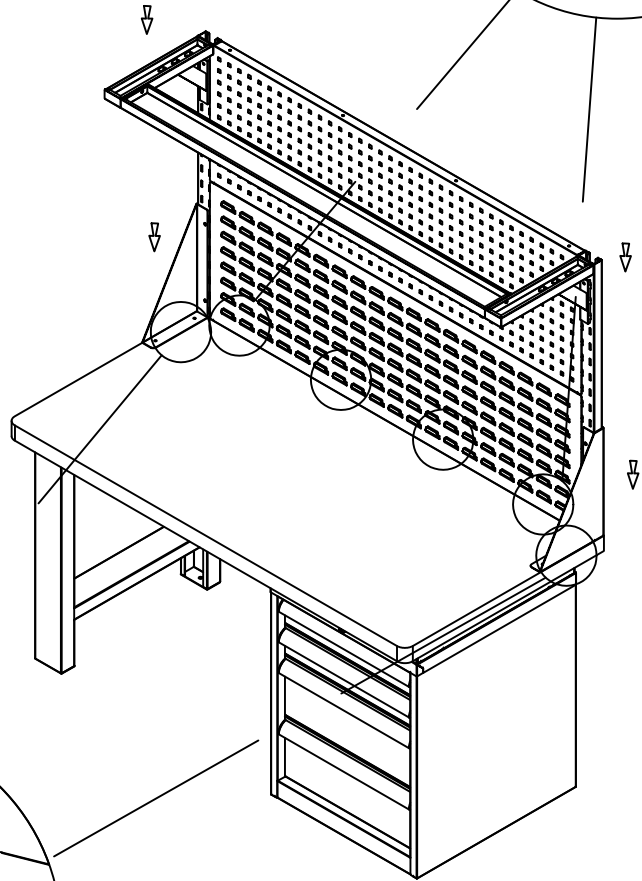
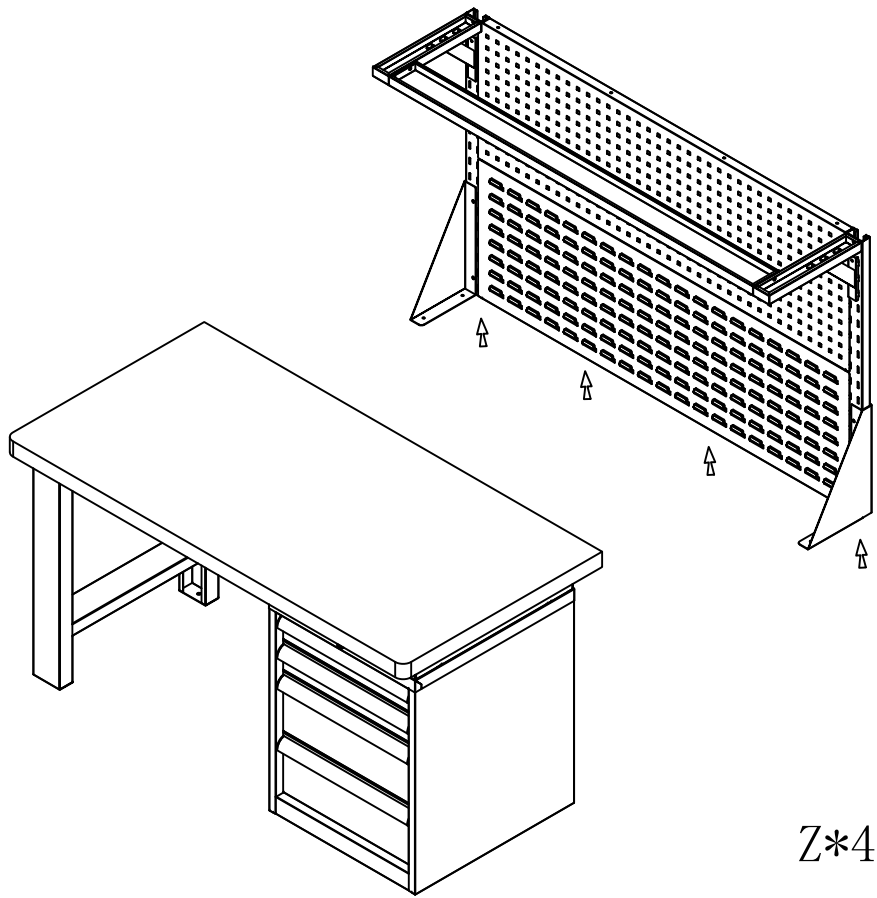


Z

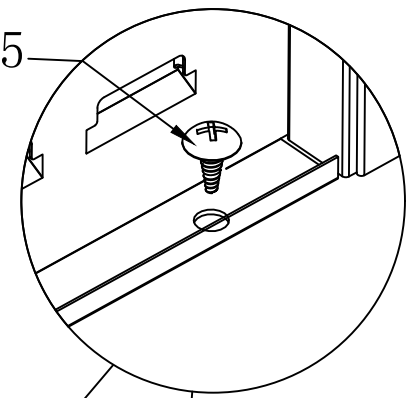


M5*15

9Pcs



Z*5



Z*4

