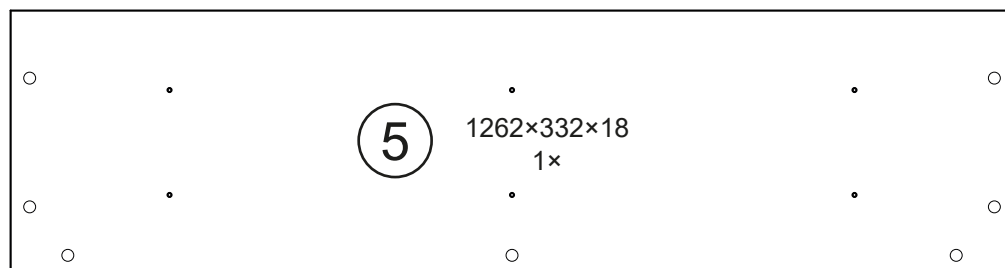
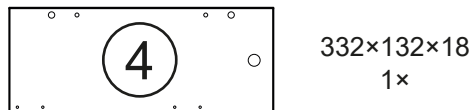
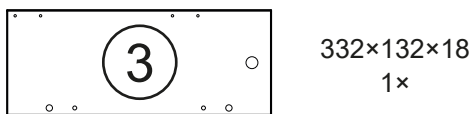
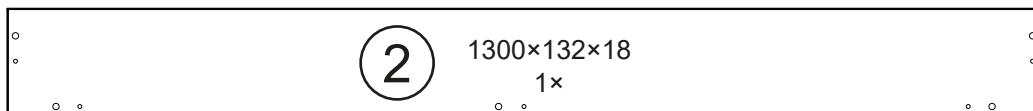
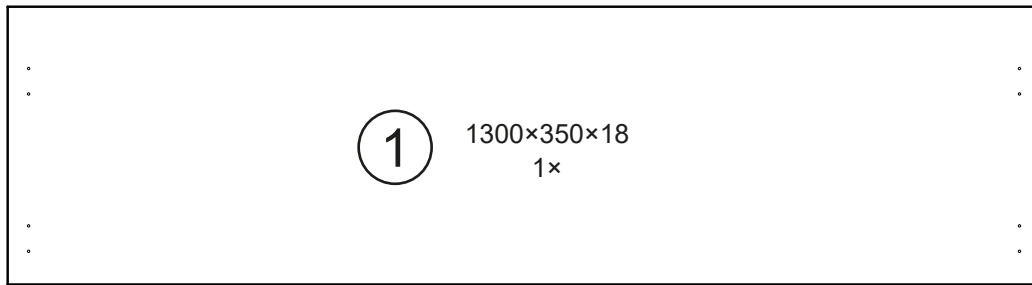
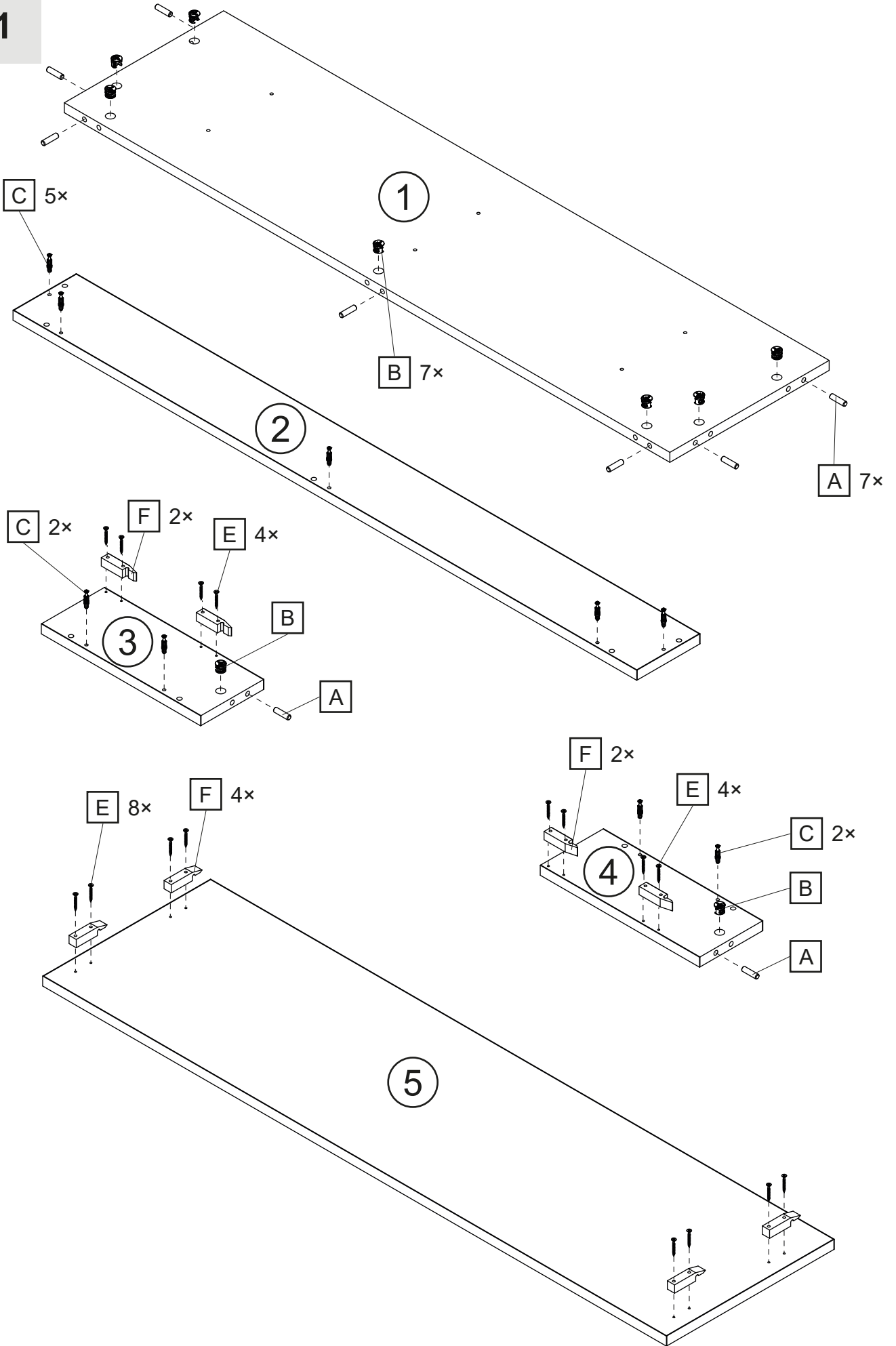
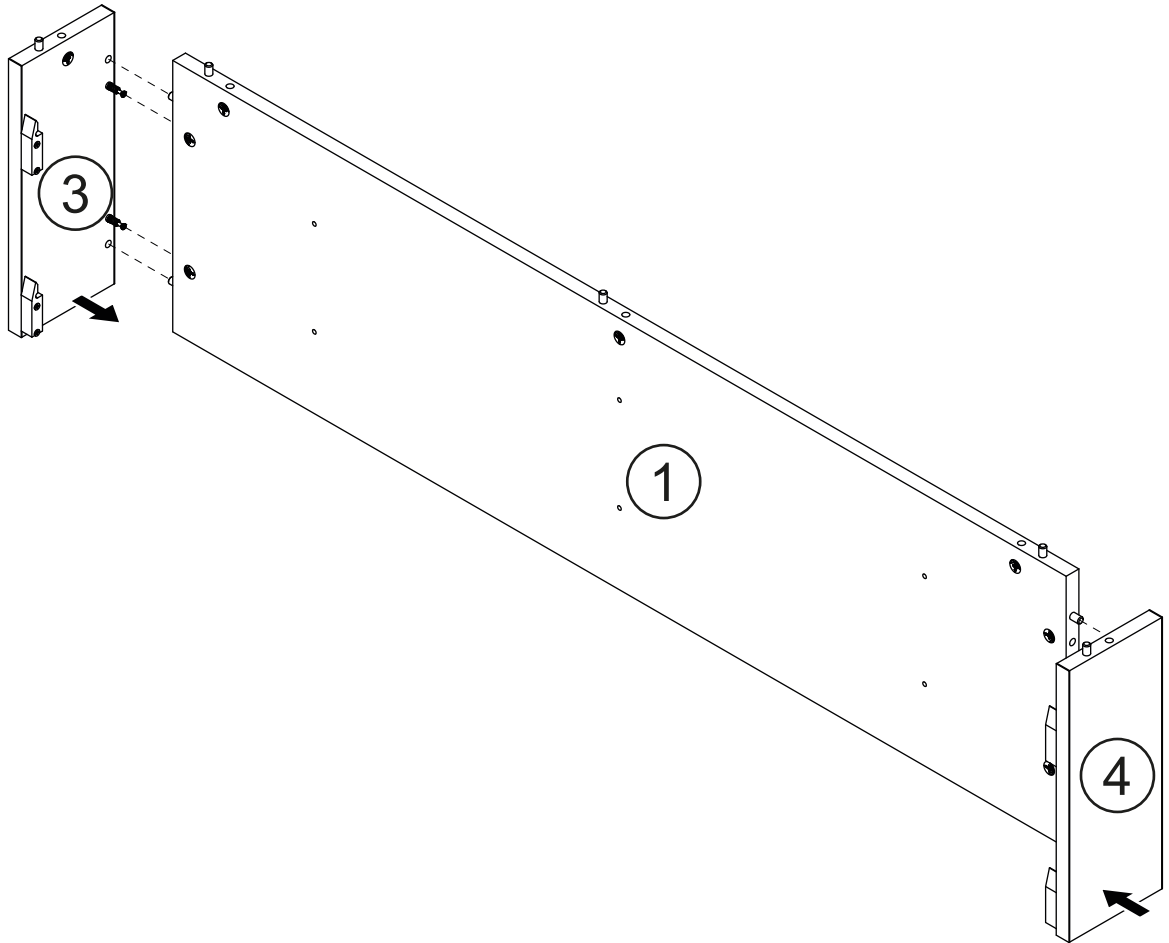

Ø8 × 35		Ø8 × 24		Ø3,5 × 30	
A 9×	B 9×	C 9×	D 9×	E 22×	F 8×



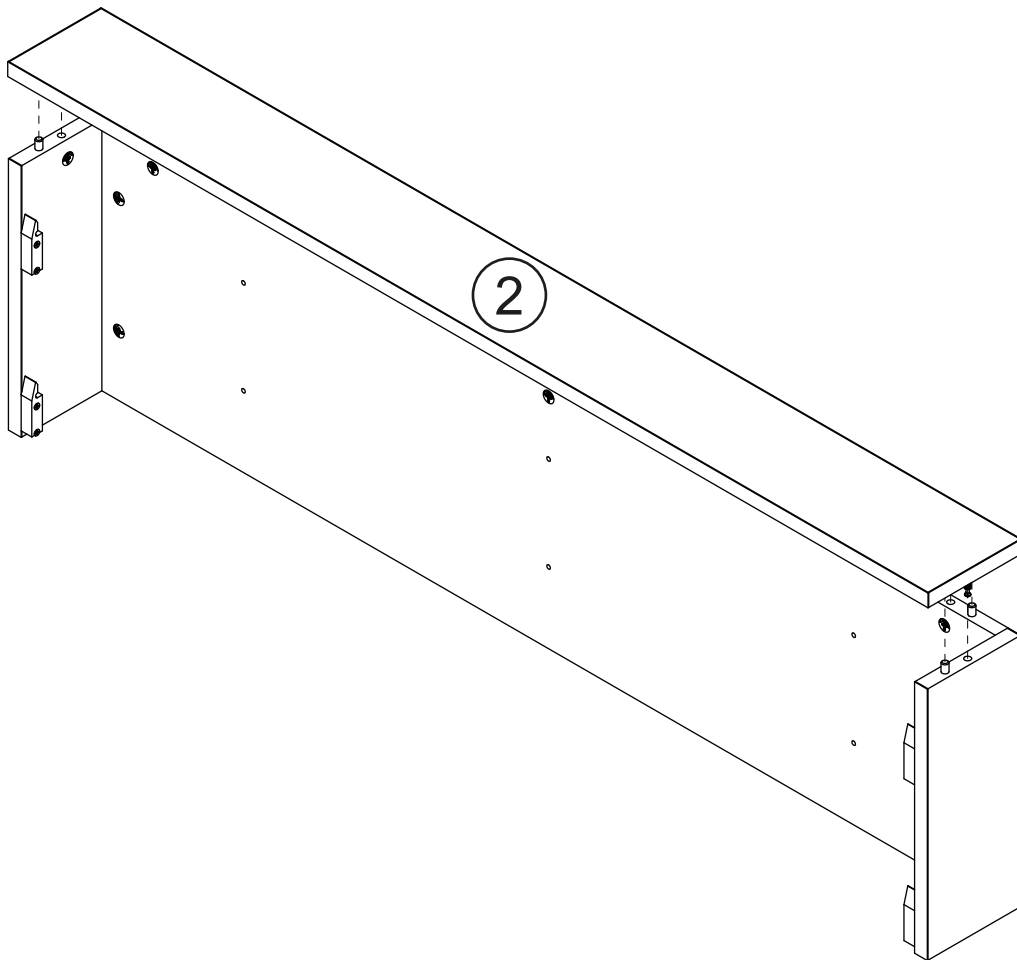
1



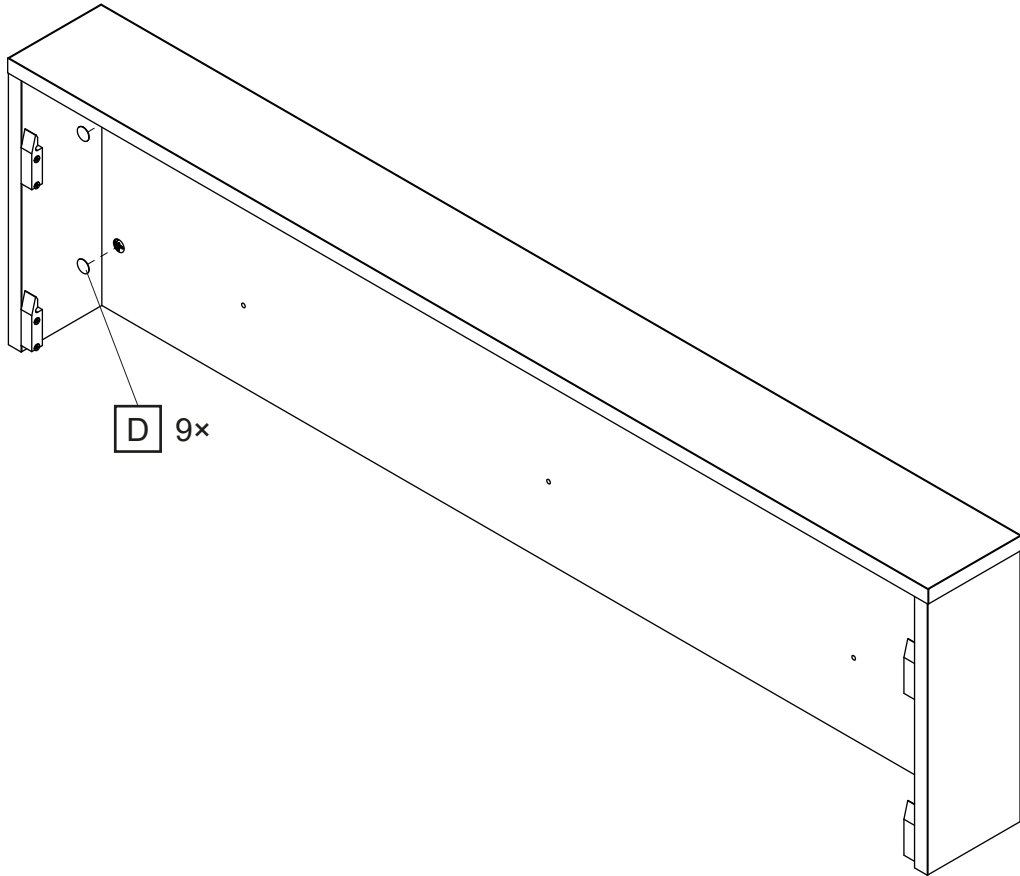
2



3



4



5

