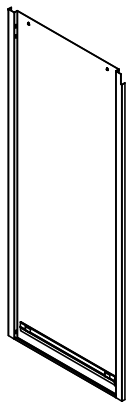
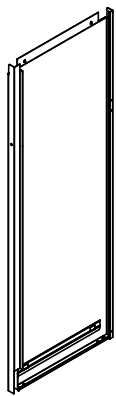


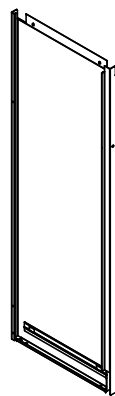
Ax1



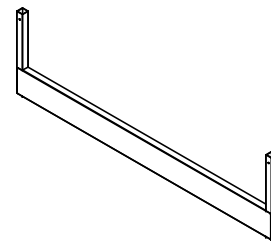
Bx1



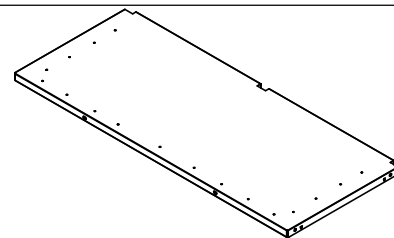
Cx1



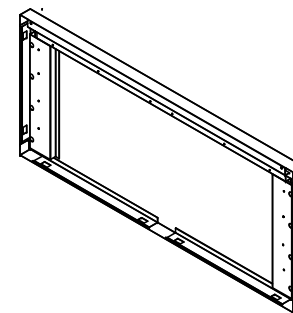
Dx1



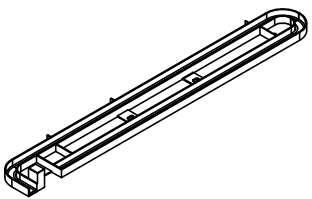
Ex1



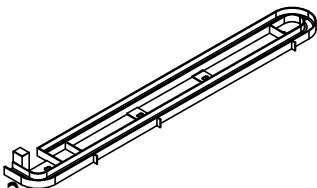
Fx1



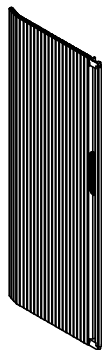
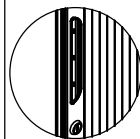
Jx1



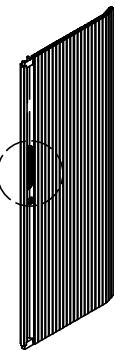
Hx2



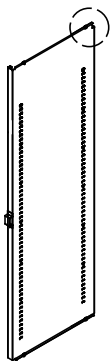
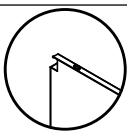
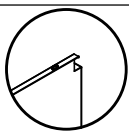
Ix2



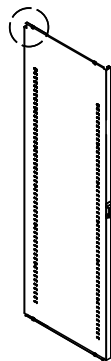
Gx1



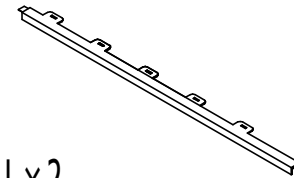
Kx1



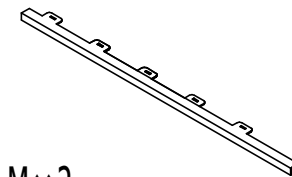
Nx1



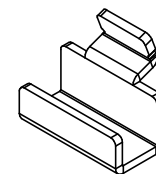
Ox1



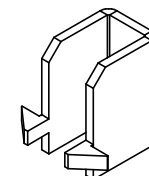
Lx2



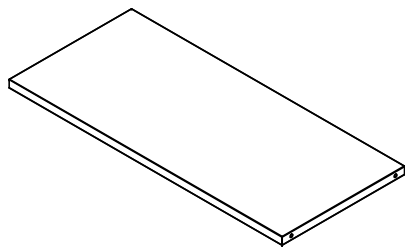
Mx2



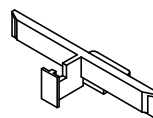
Qx8



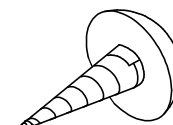
Rx8



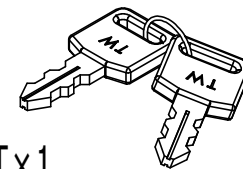
Px2



Ux2

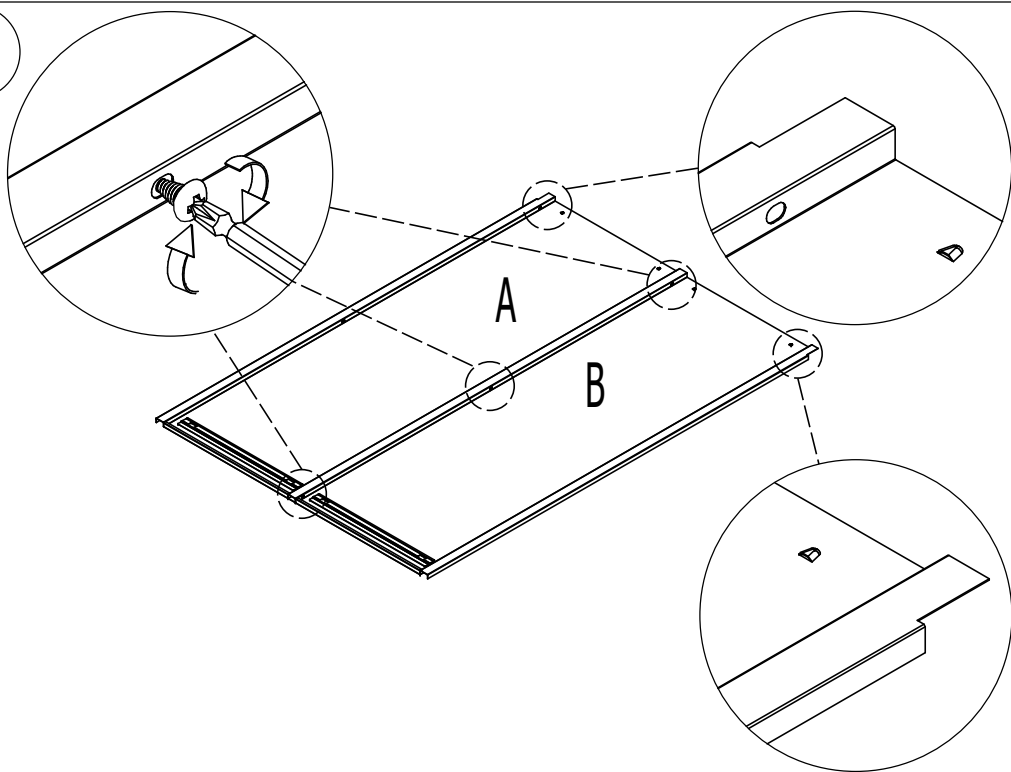


Sx55

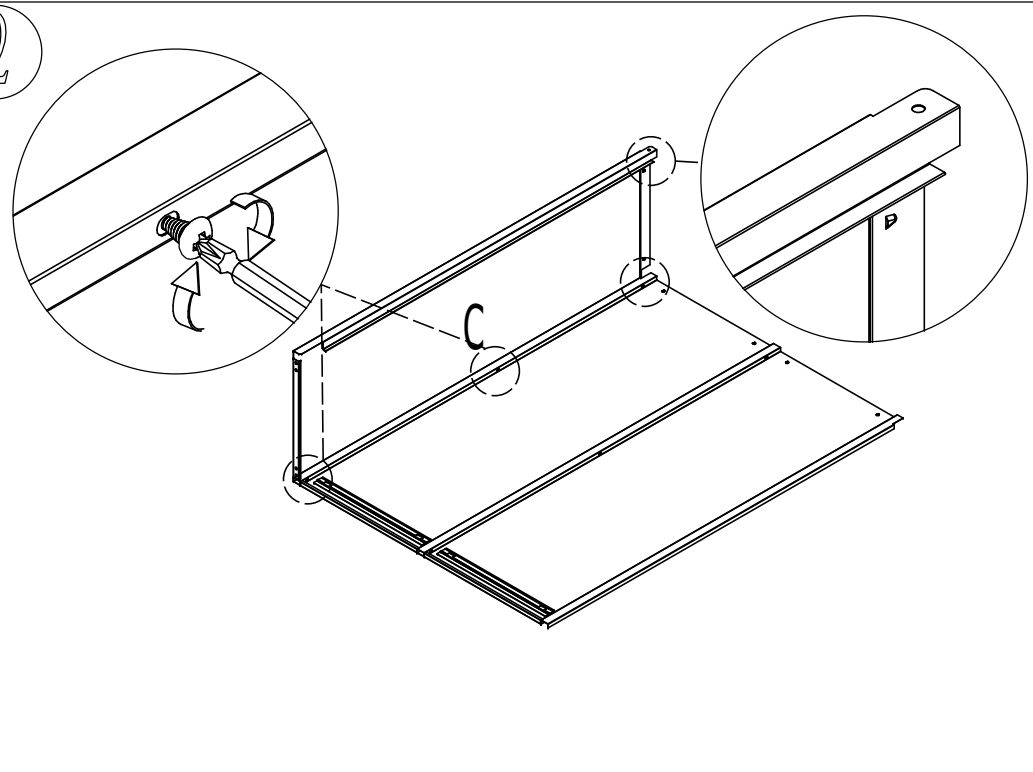


Tx1

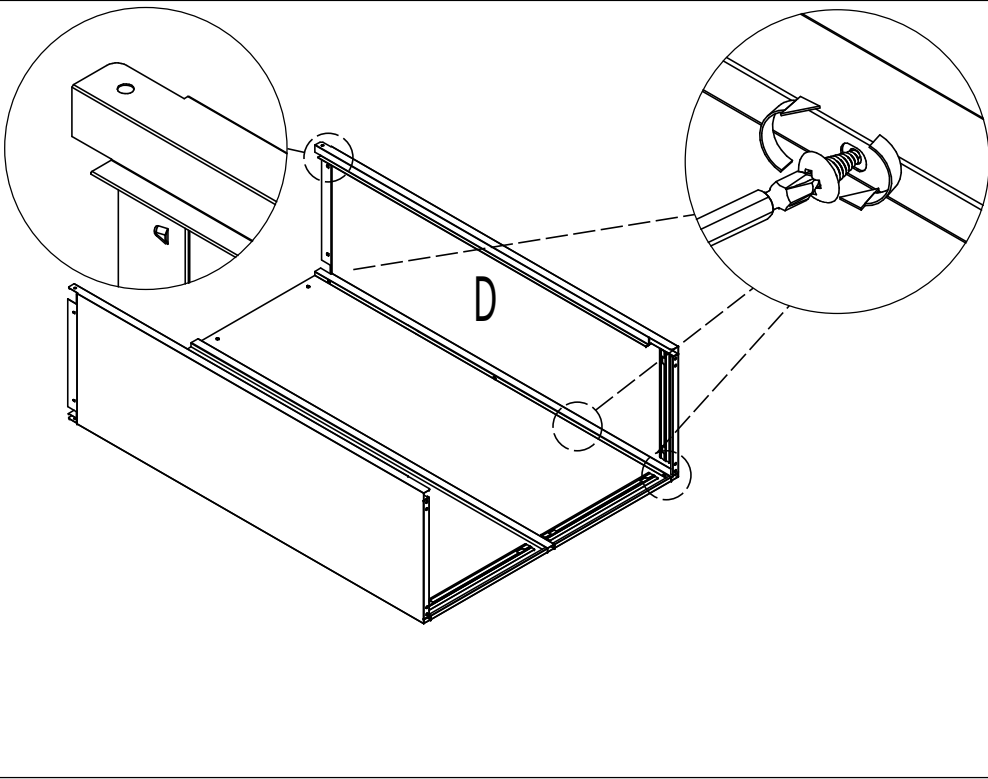
1



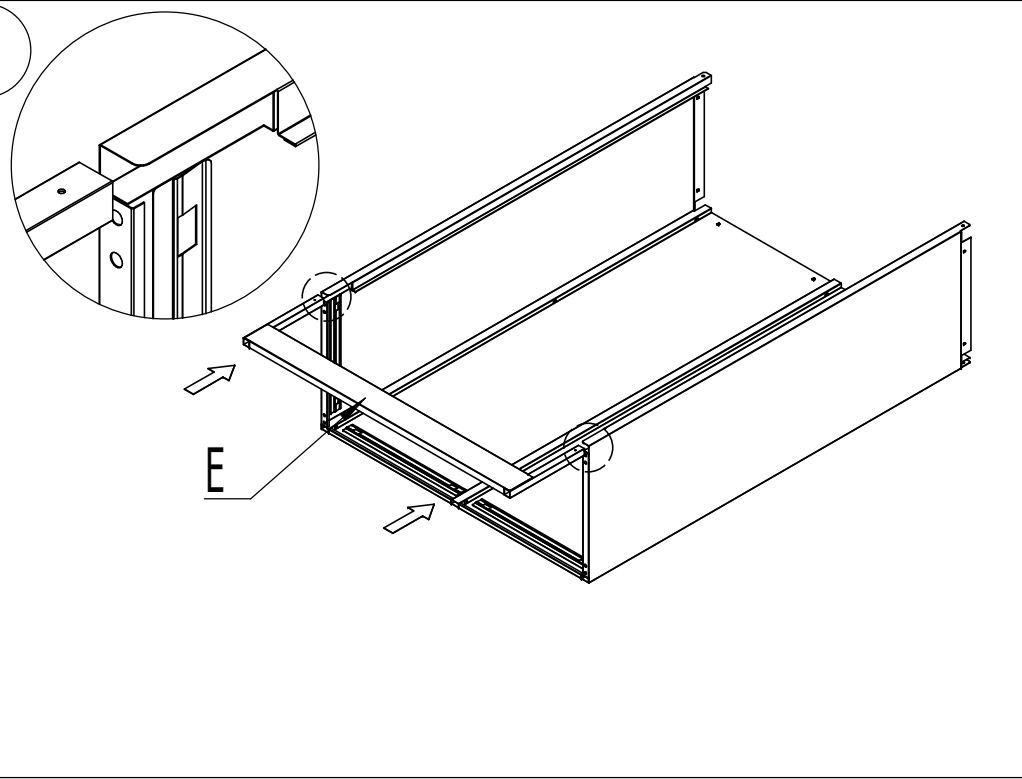
2



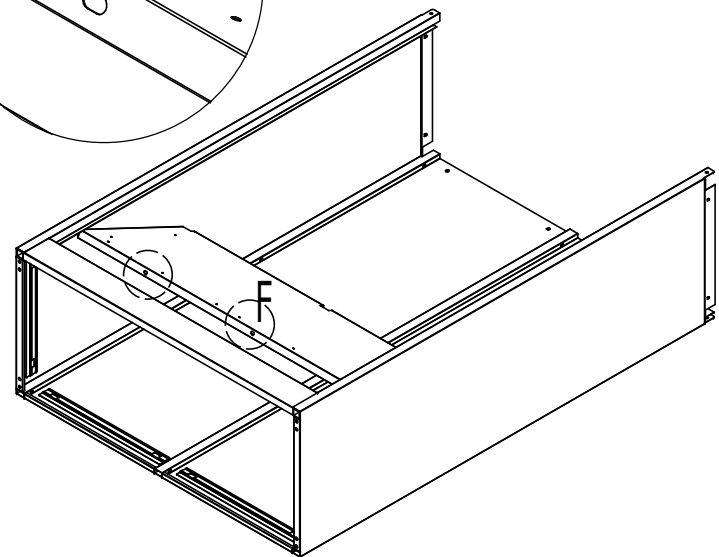
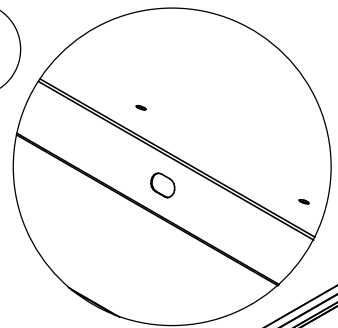
3



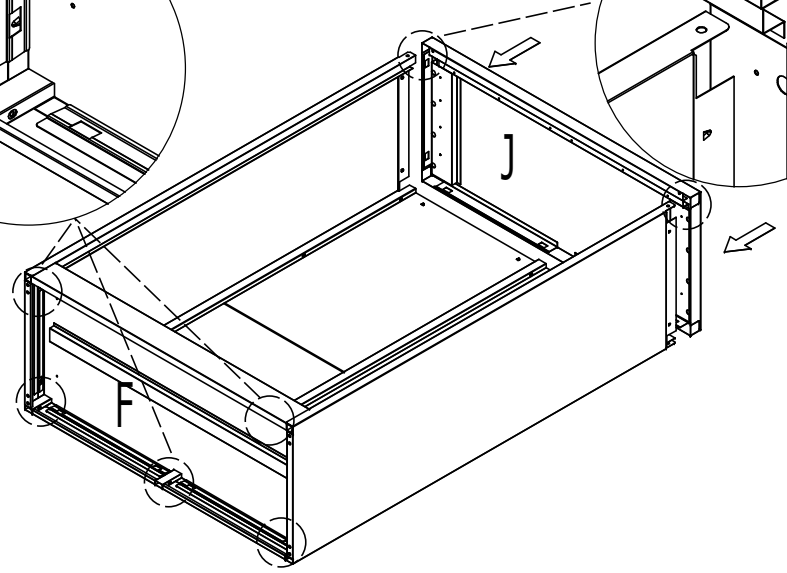
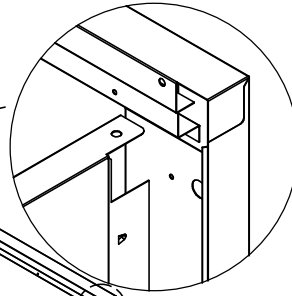
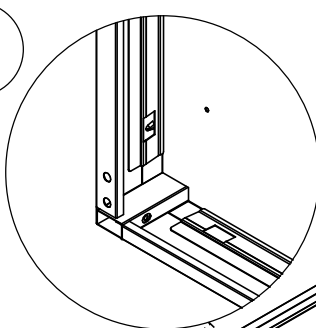
4



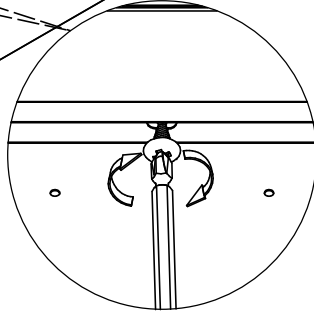
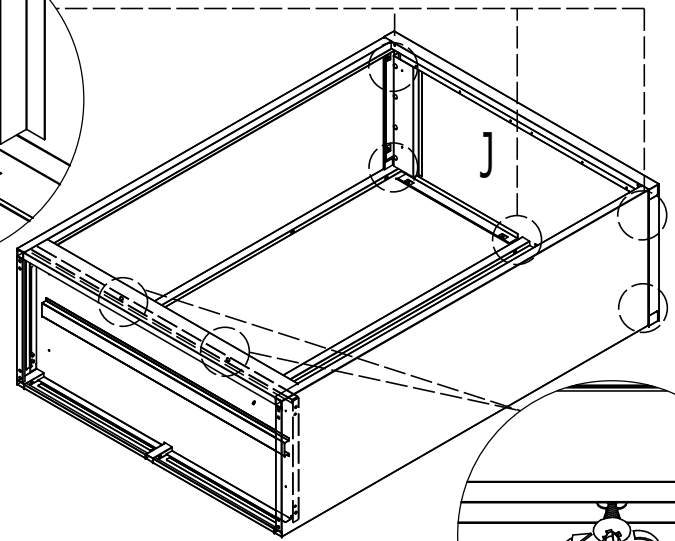
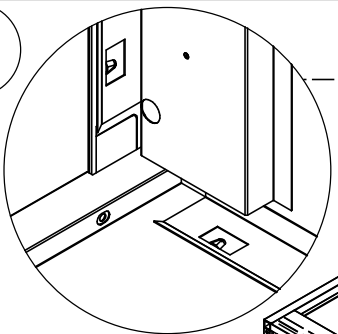
5



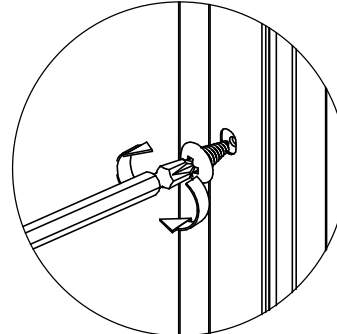
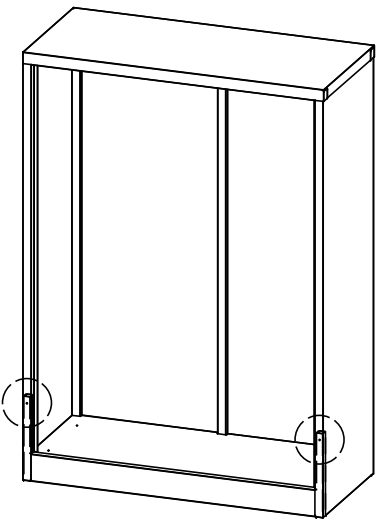
6



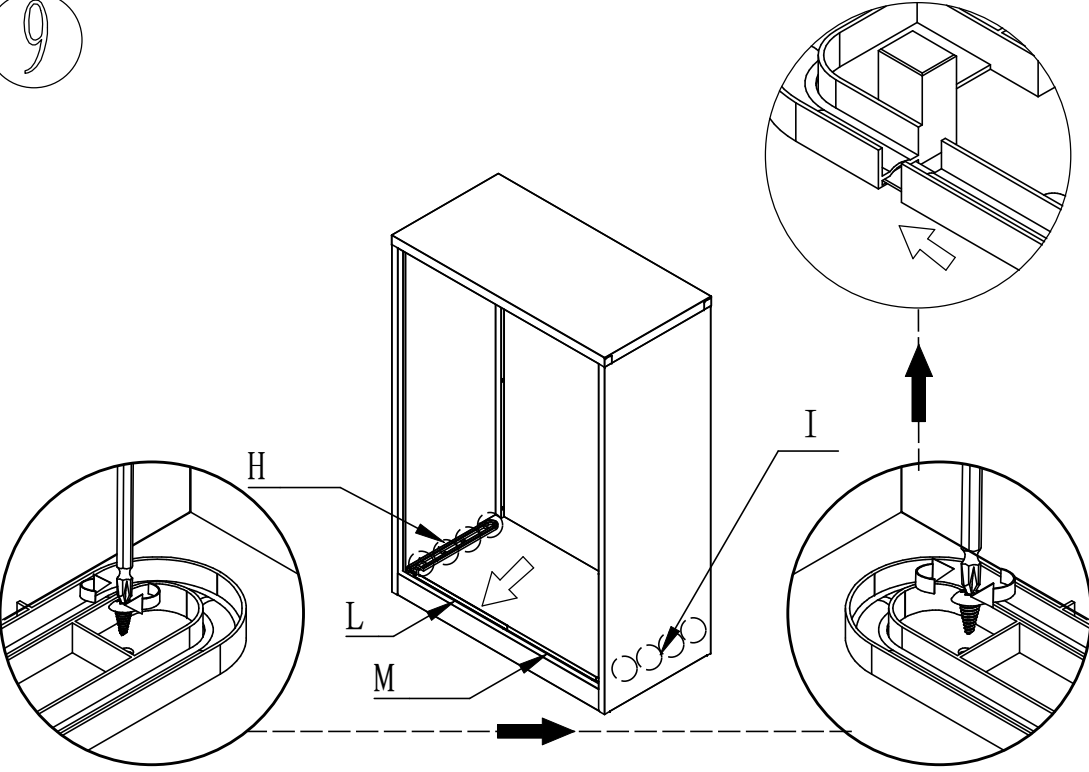
7



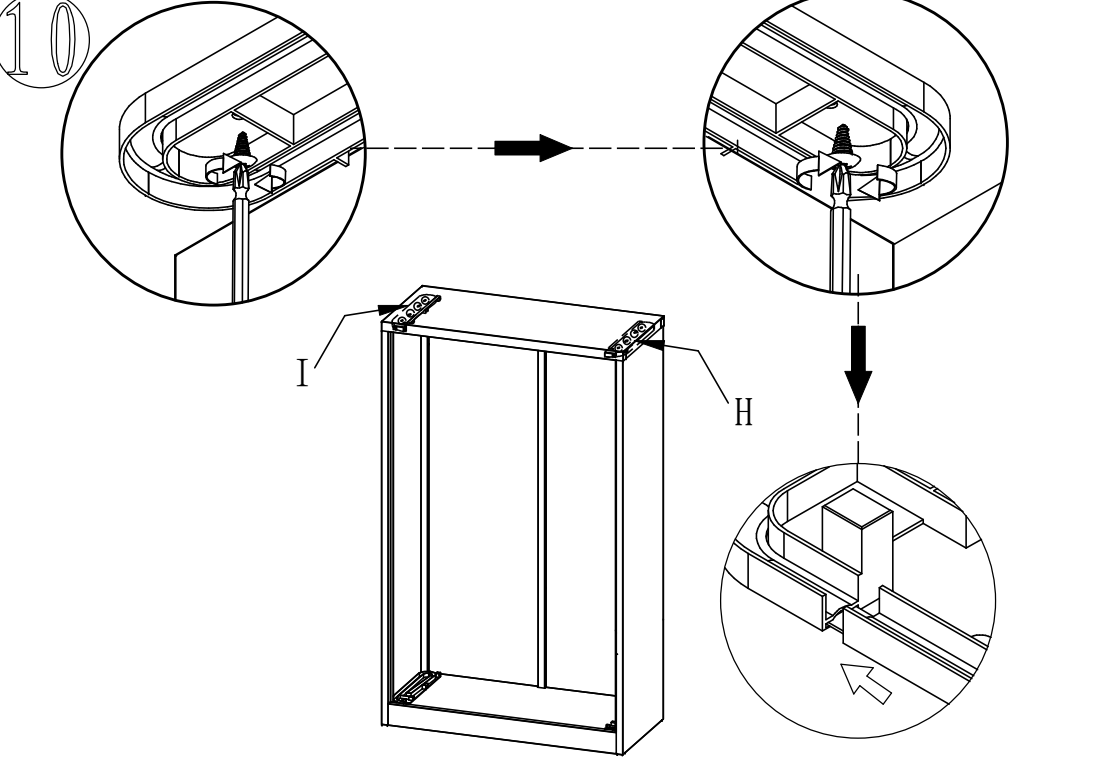
8



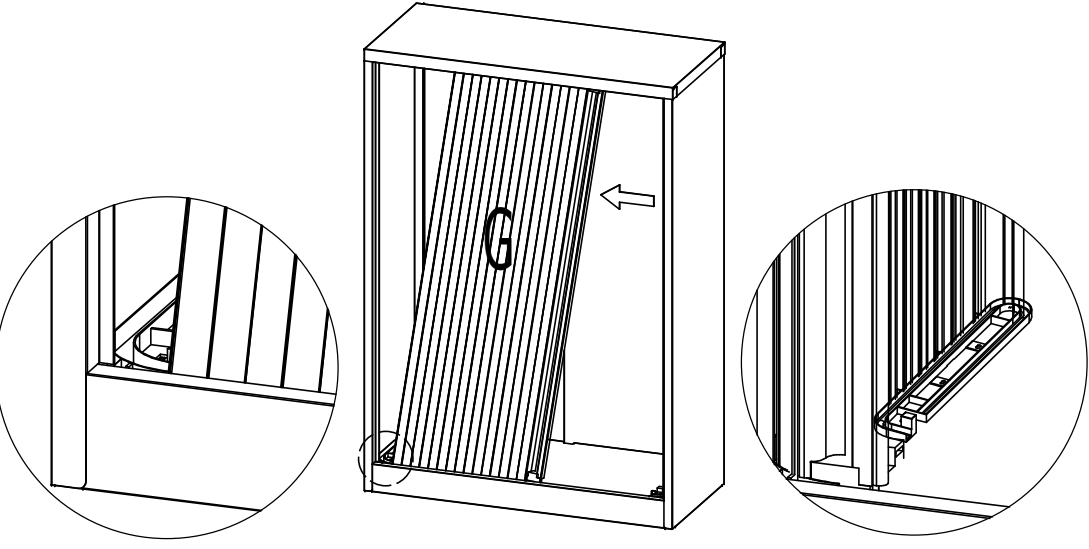
9



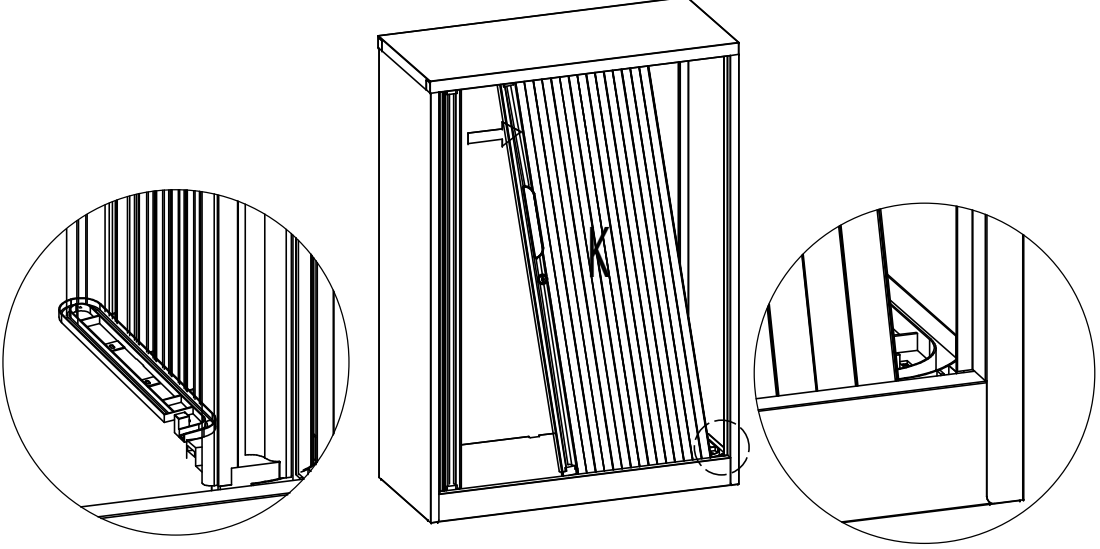
10



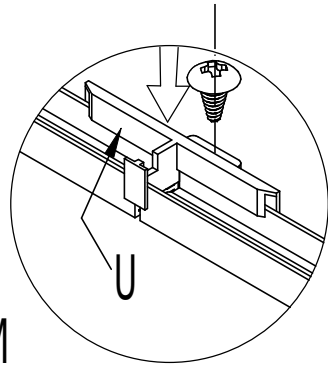
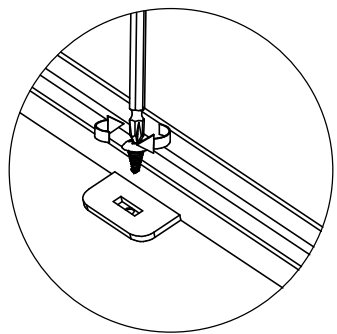
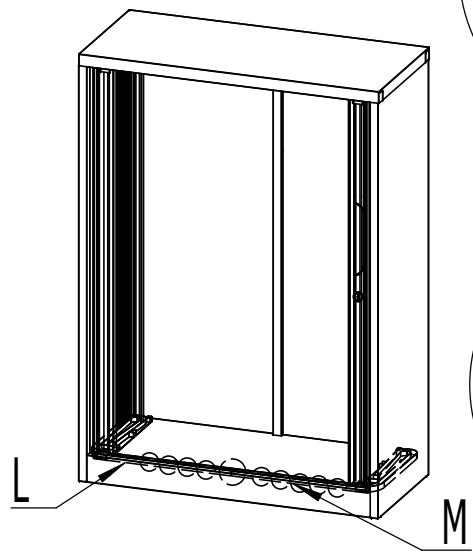
11



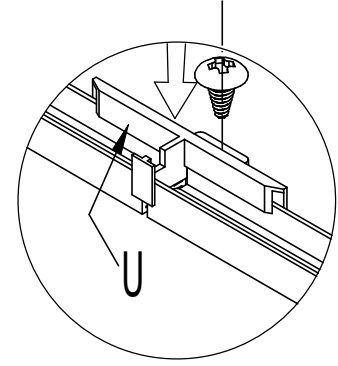
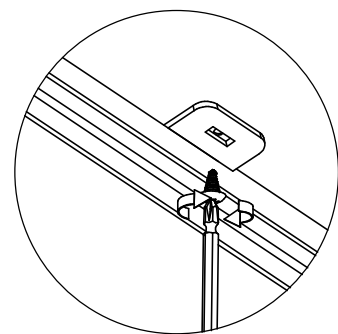
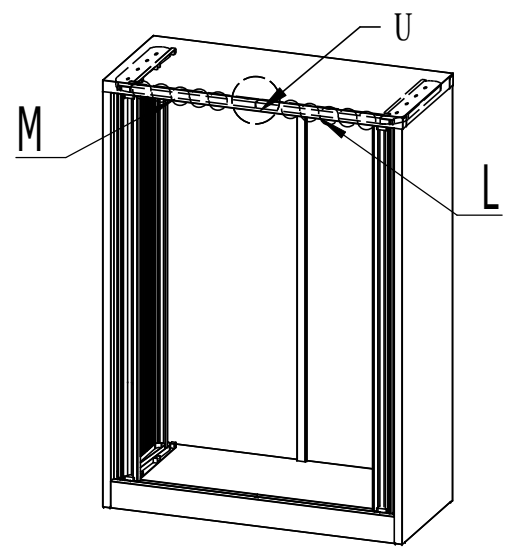
12



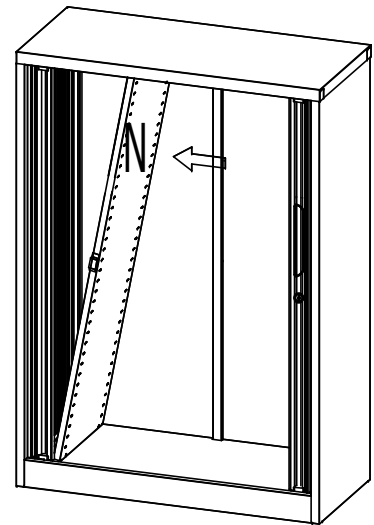
13



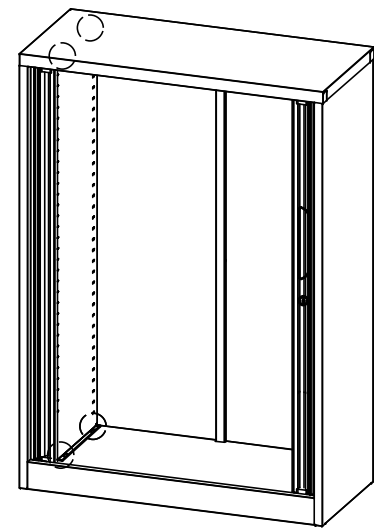
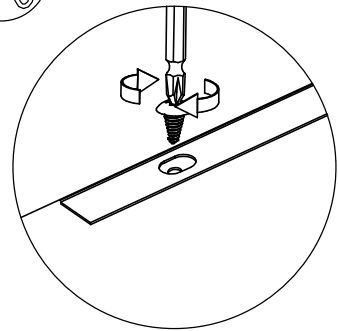
14



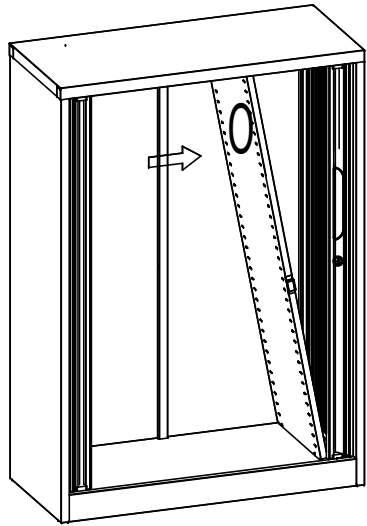
15



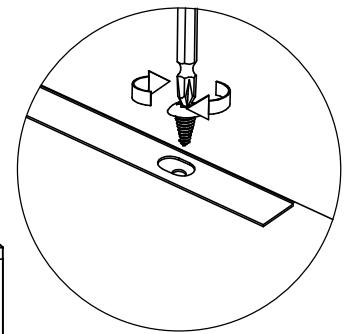
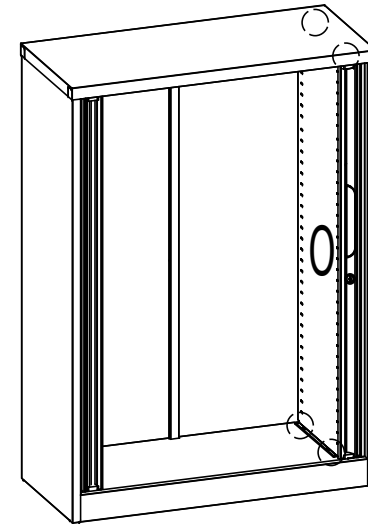
16



17

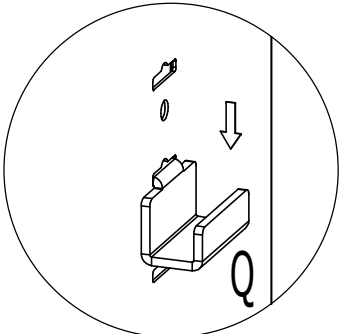
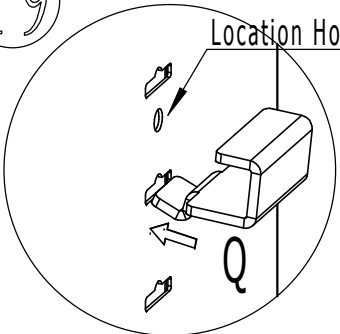
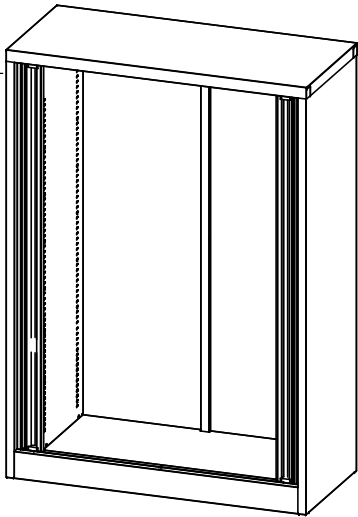


18



19

Location Hole



20

