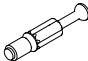



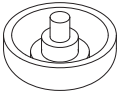
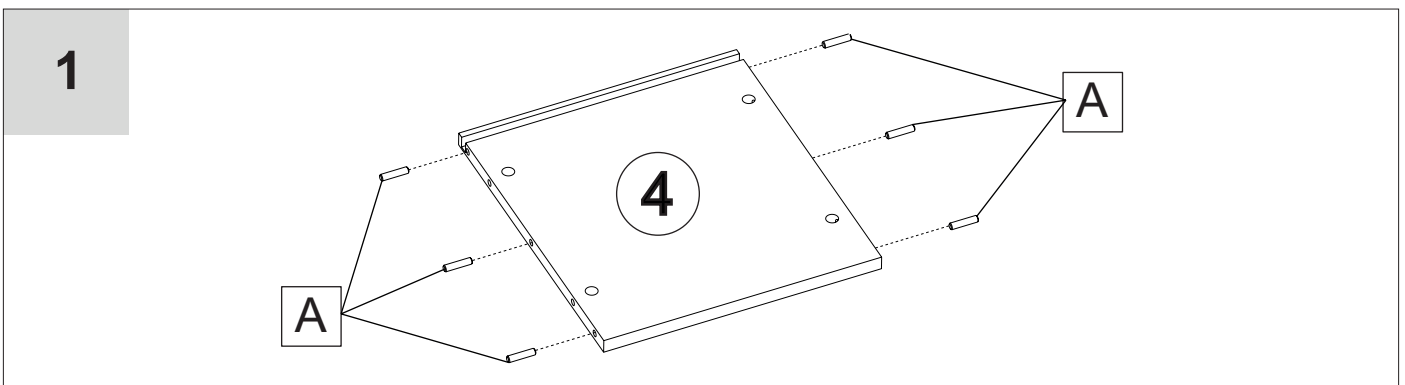
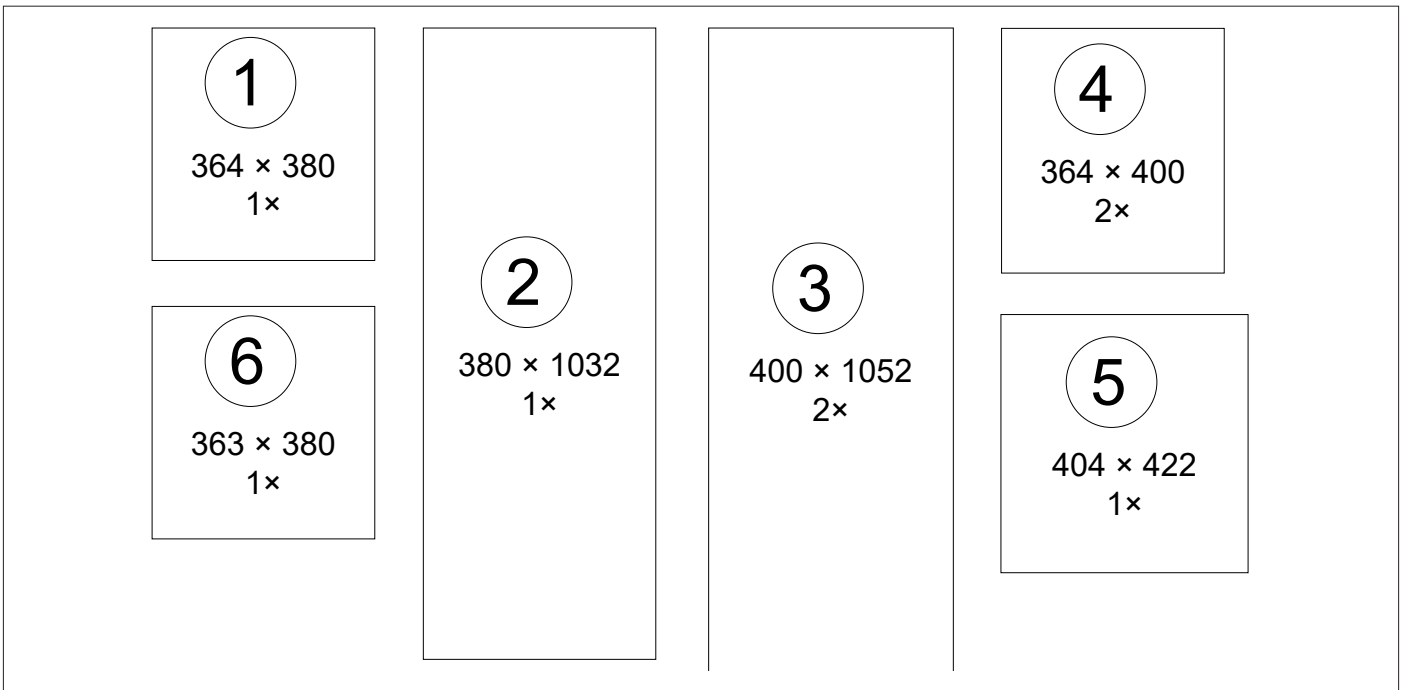
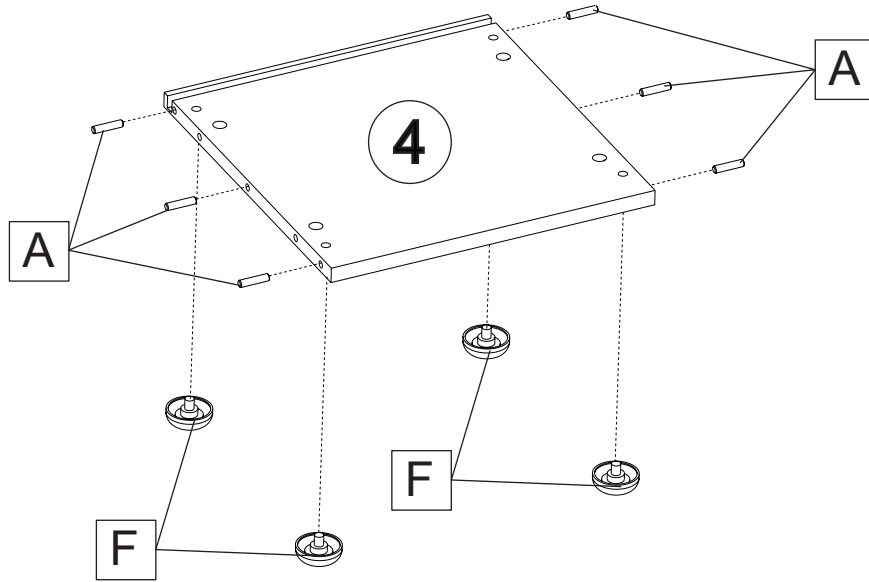
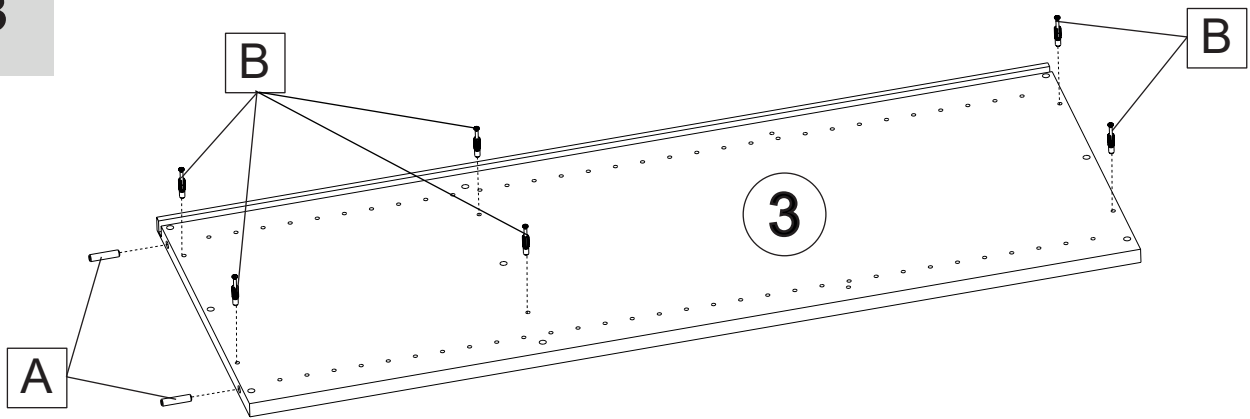
 Ø8 x 35					
A 24x	B 12x	C 12x	D 12x	E 4x	F 4x



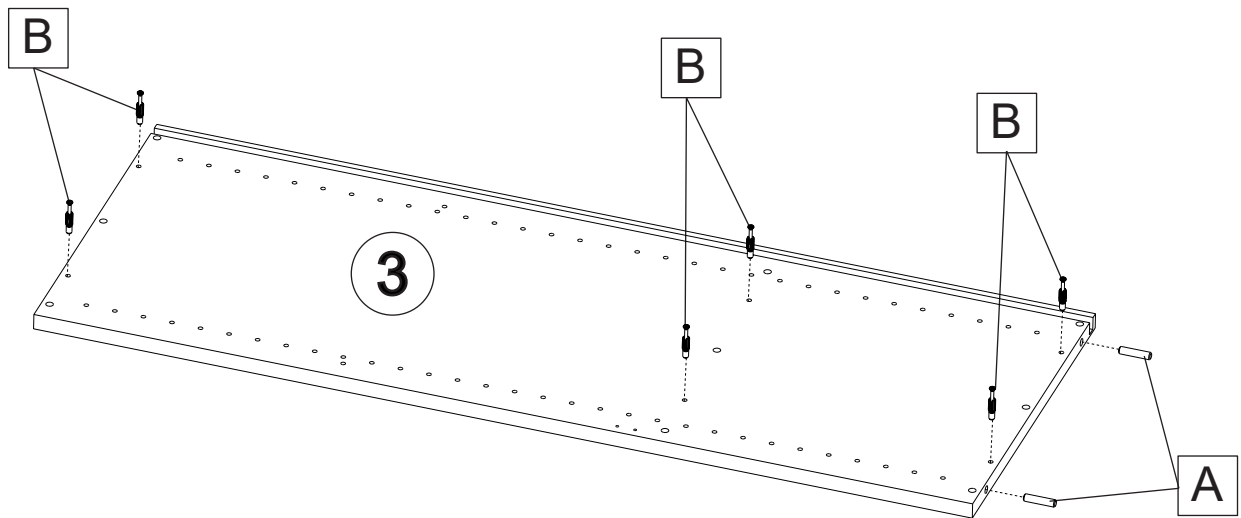
2



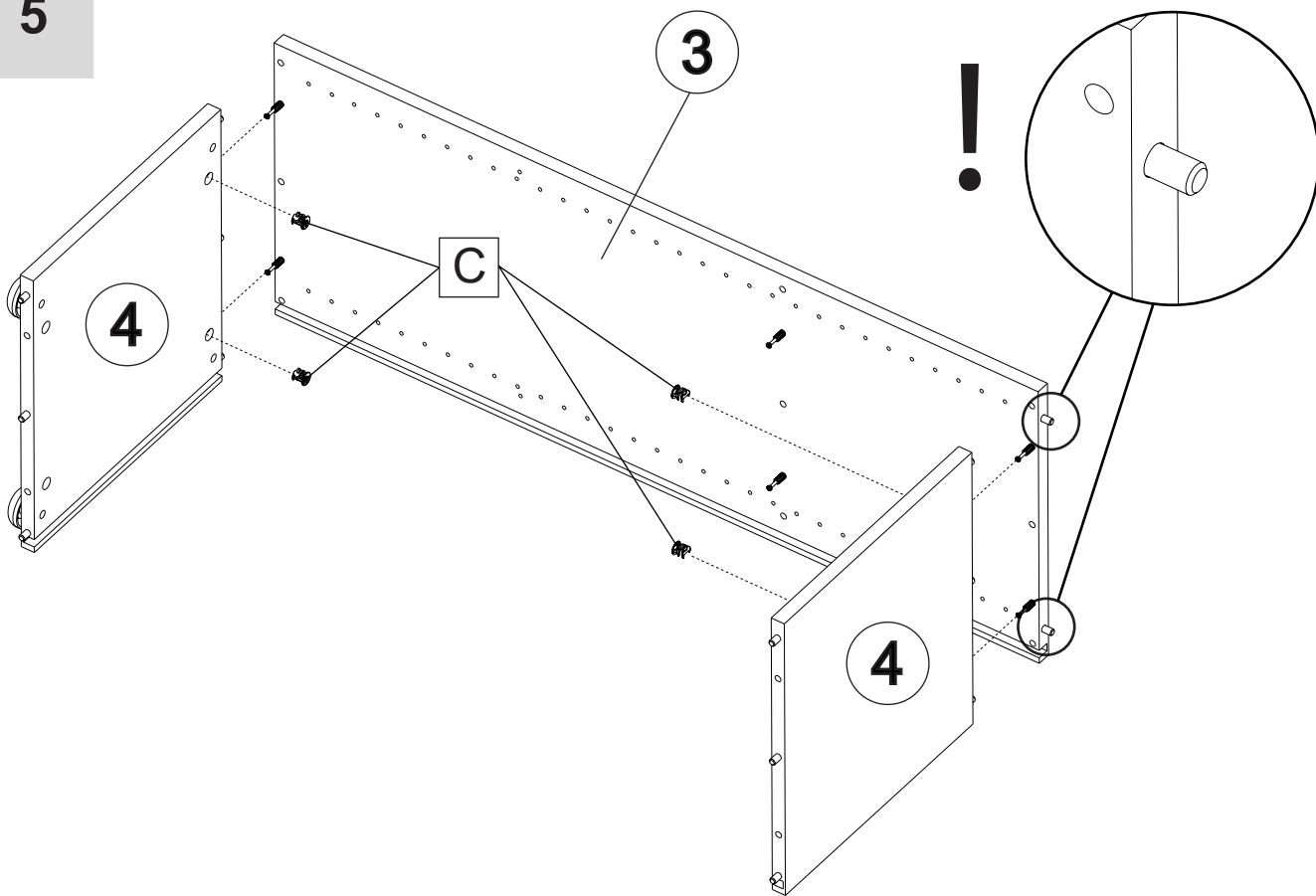
3



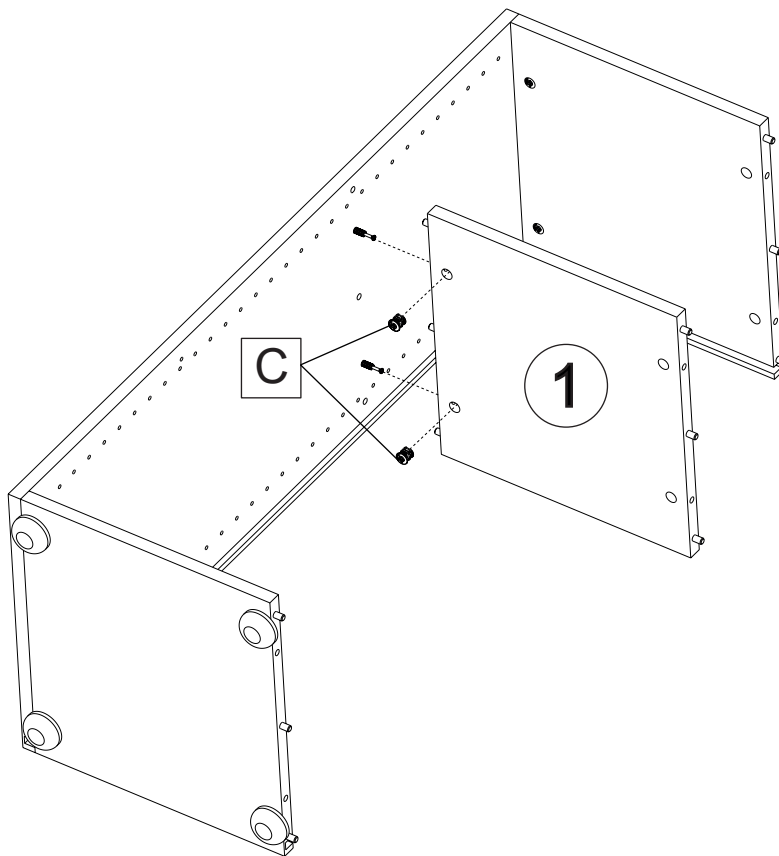
4



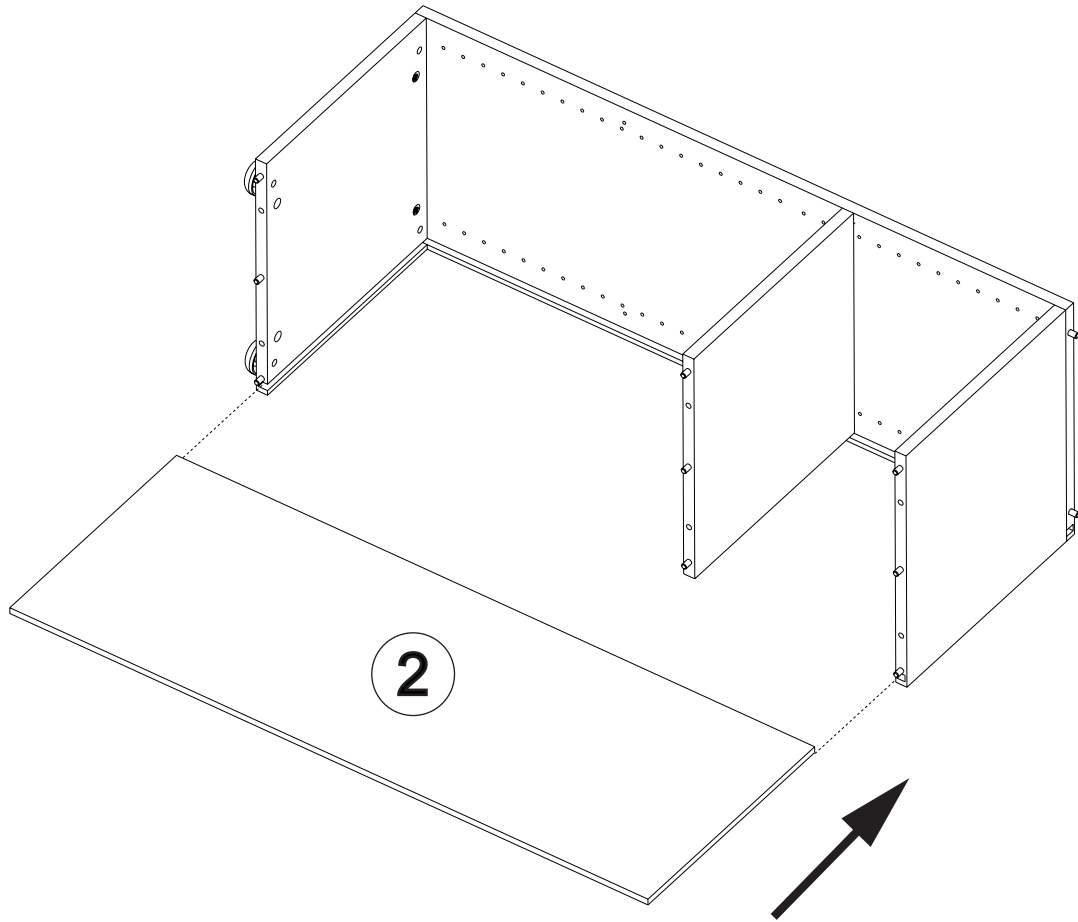
5



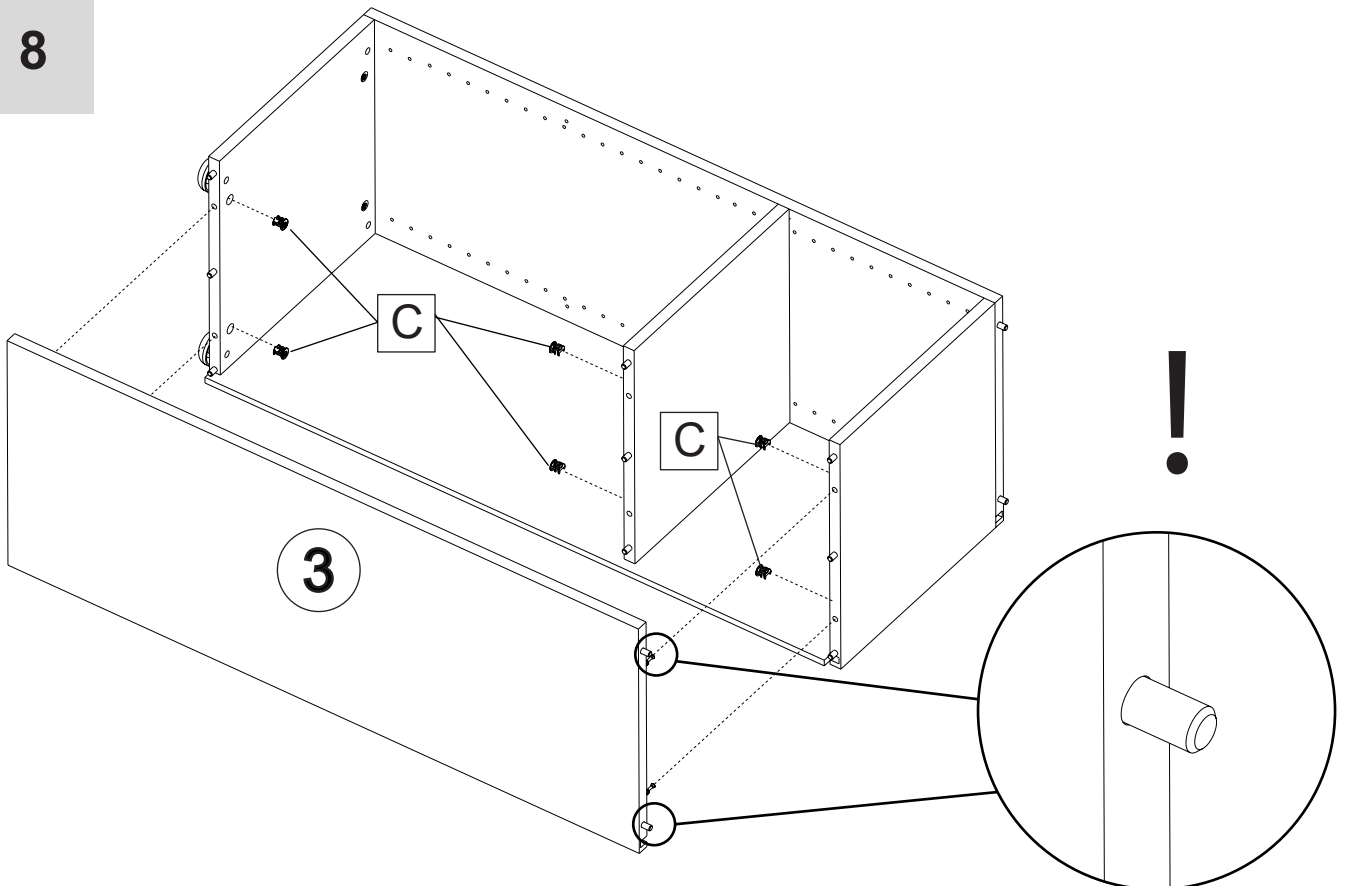
6



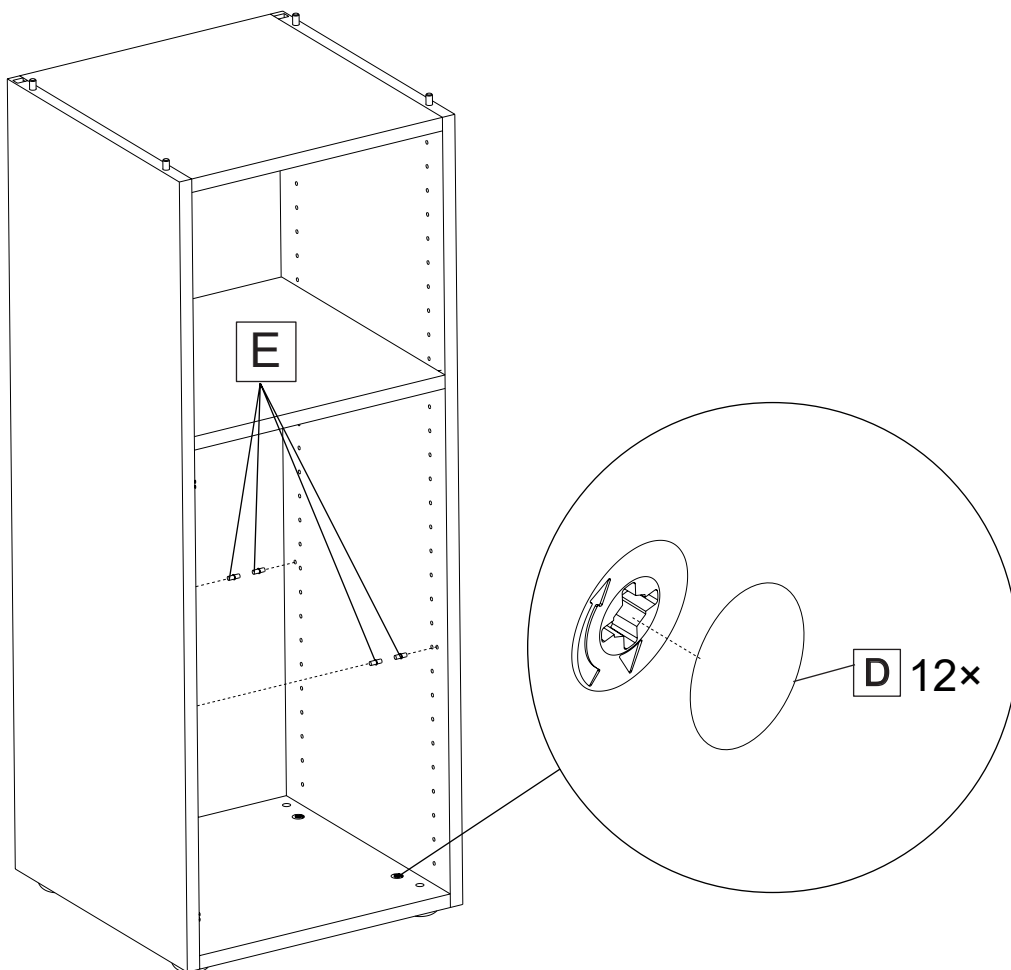
7



8



9



10

