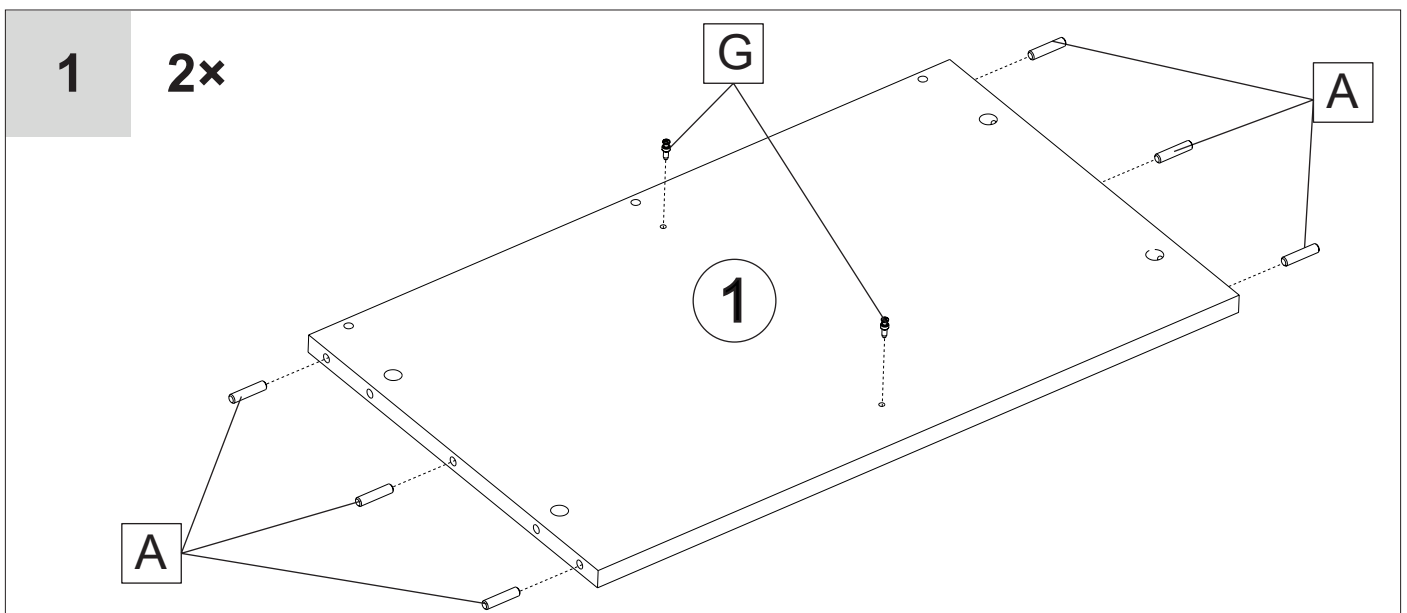
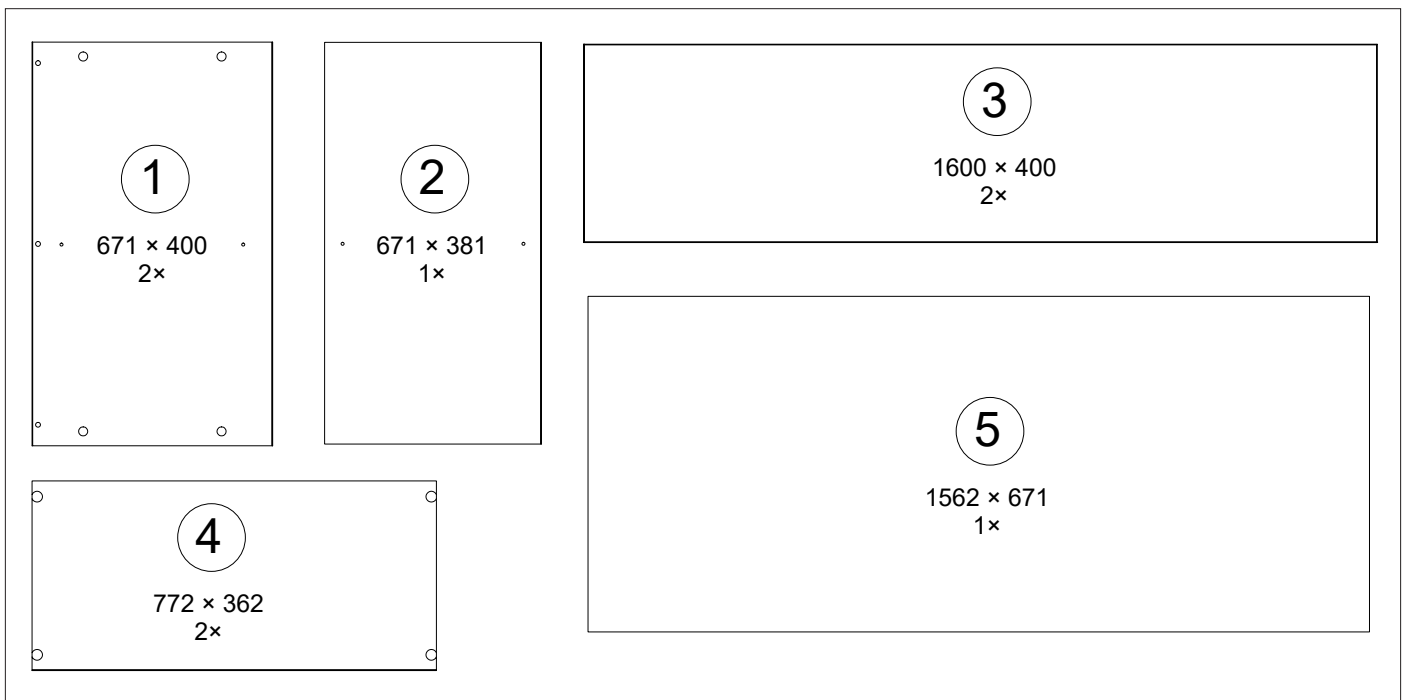
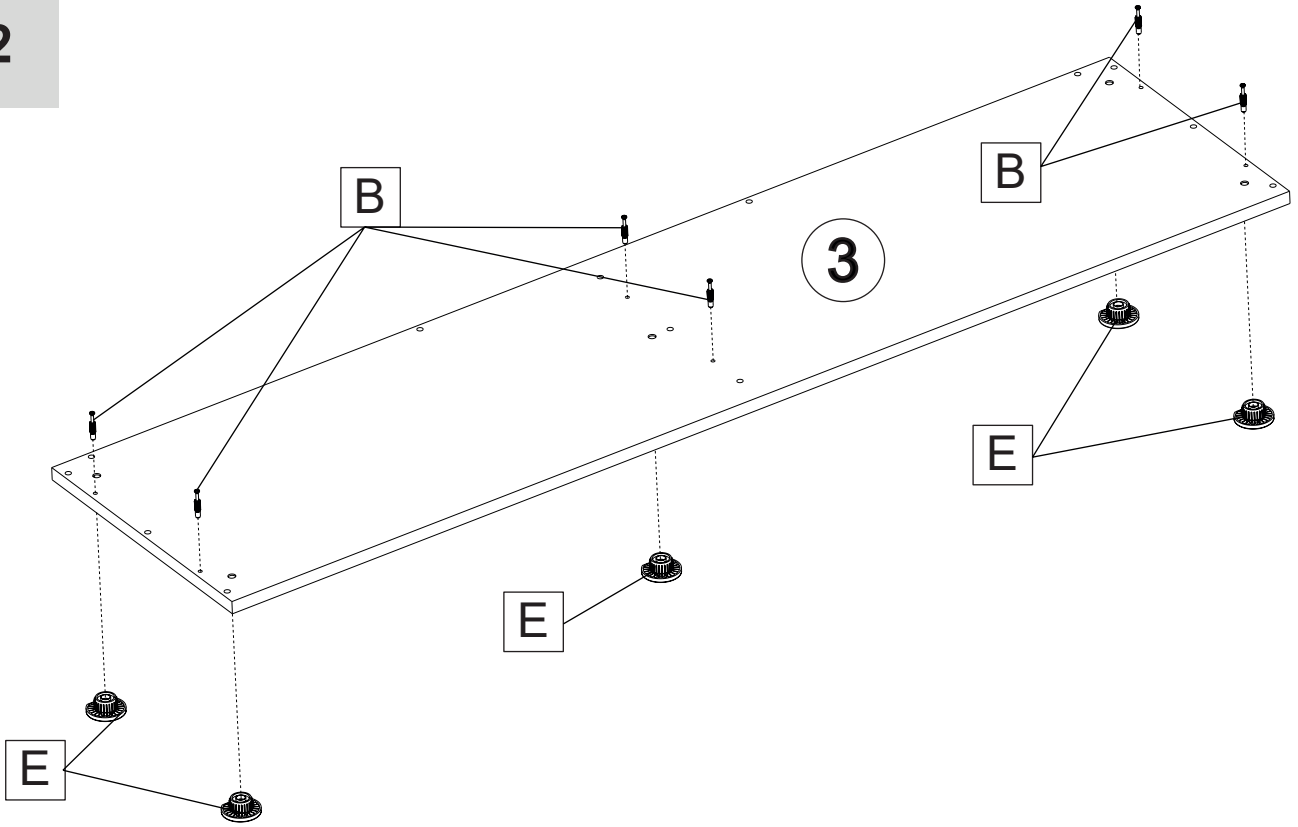
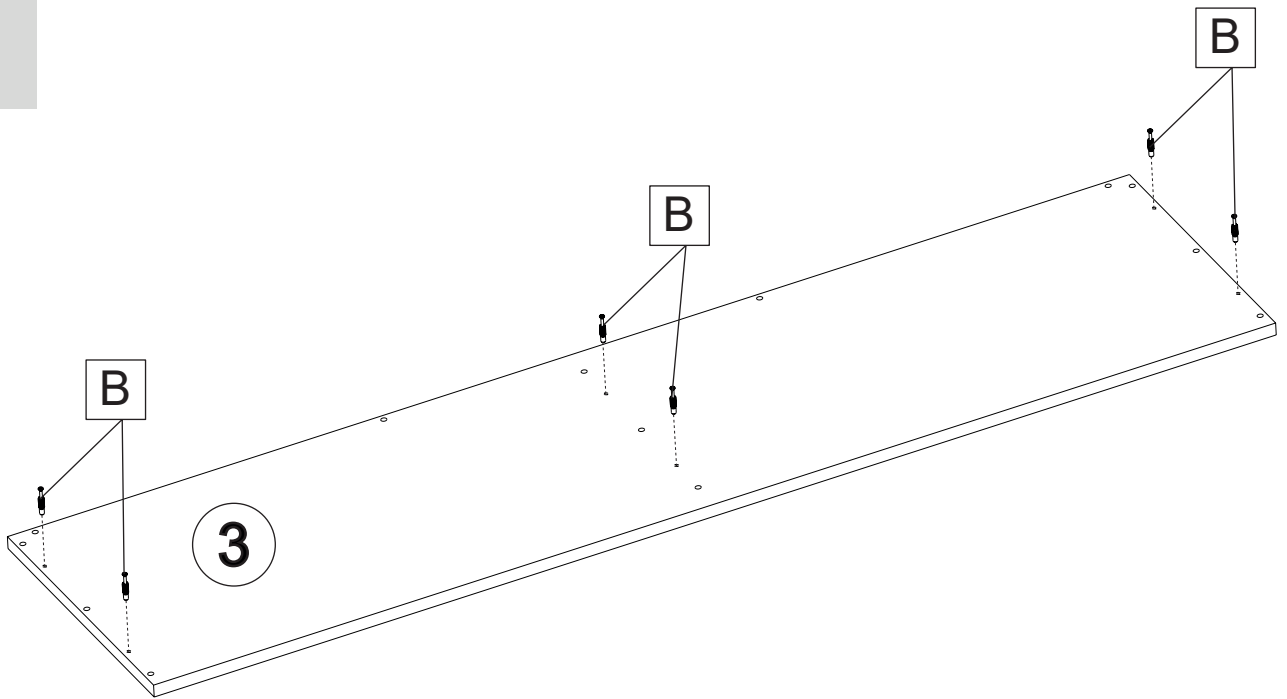

Ø8 × 35						
A 32×	B 12×	C 12×	D 12×	E 5×	F 8×	G 8×



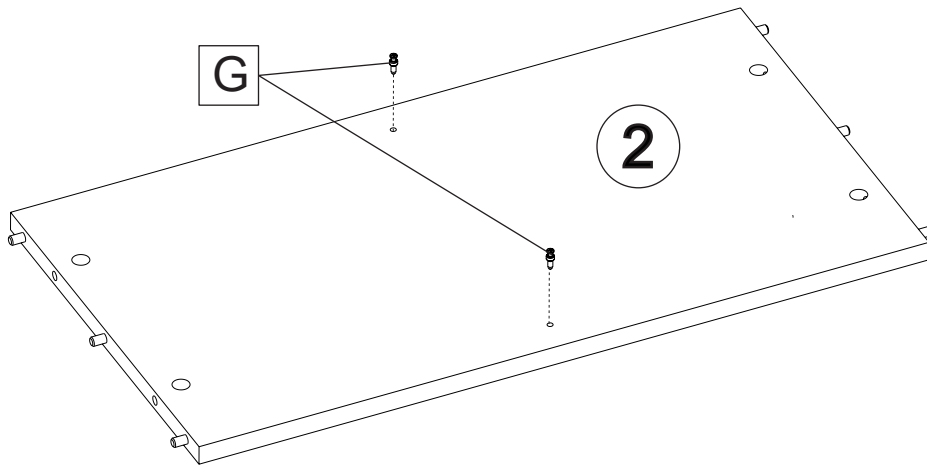
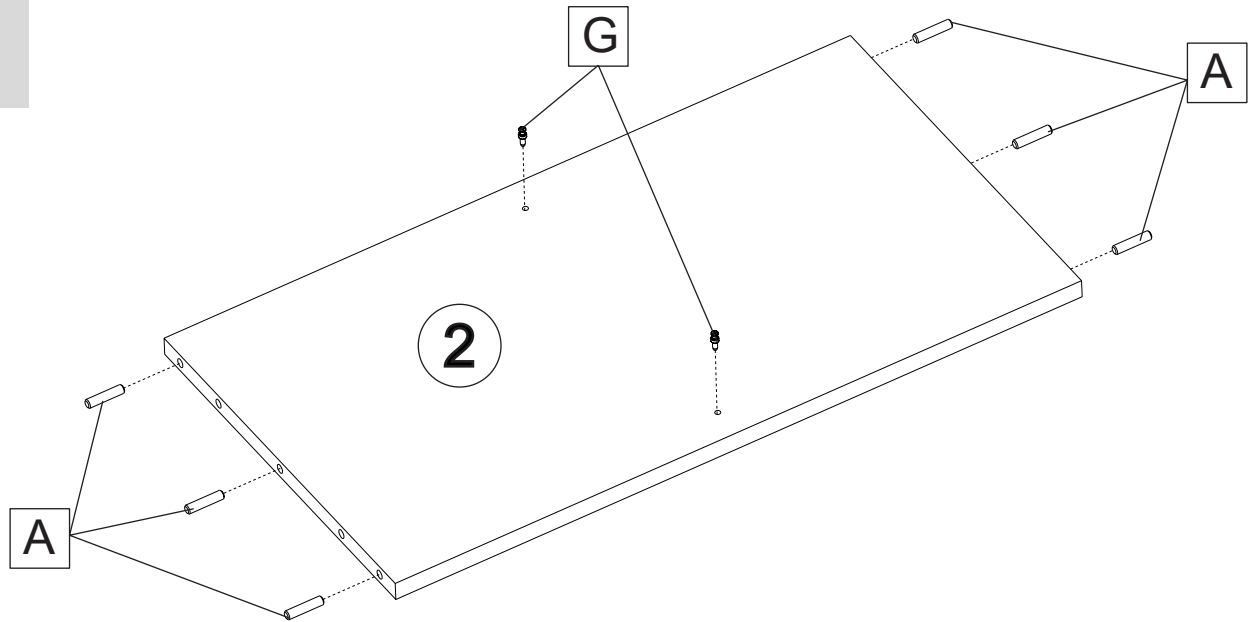
2



3

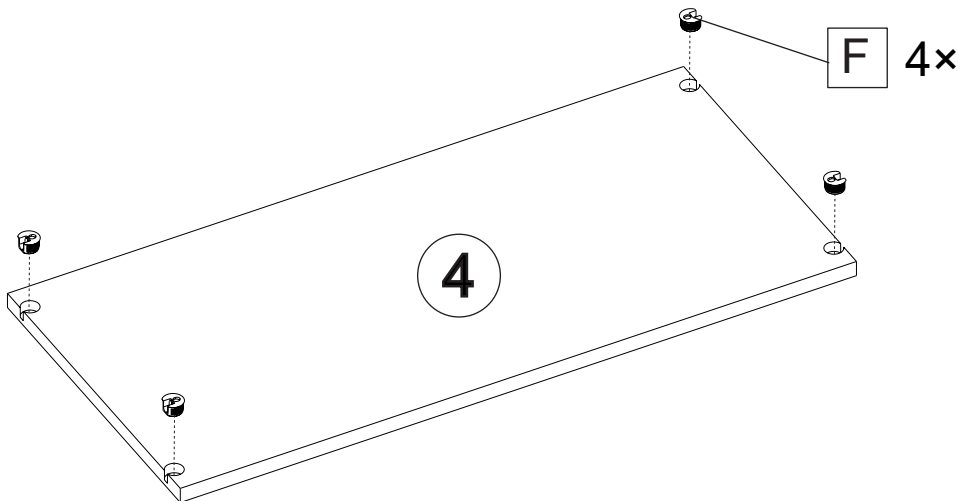


4



5

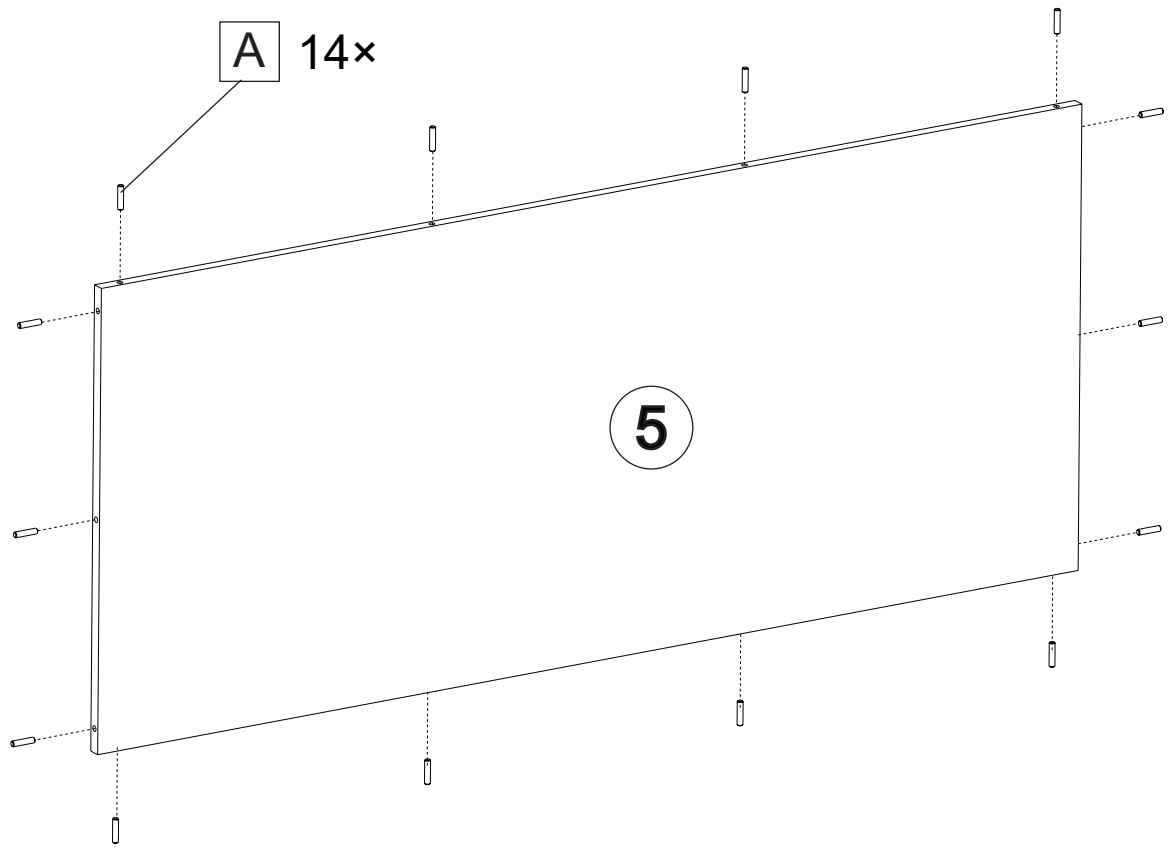
2x



6

A 14x

5

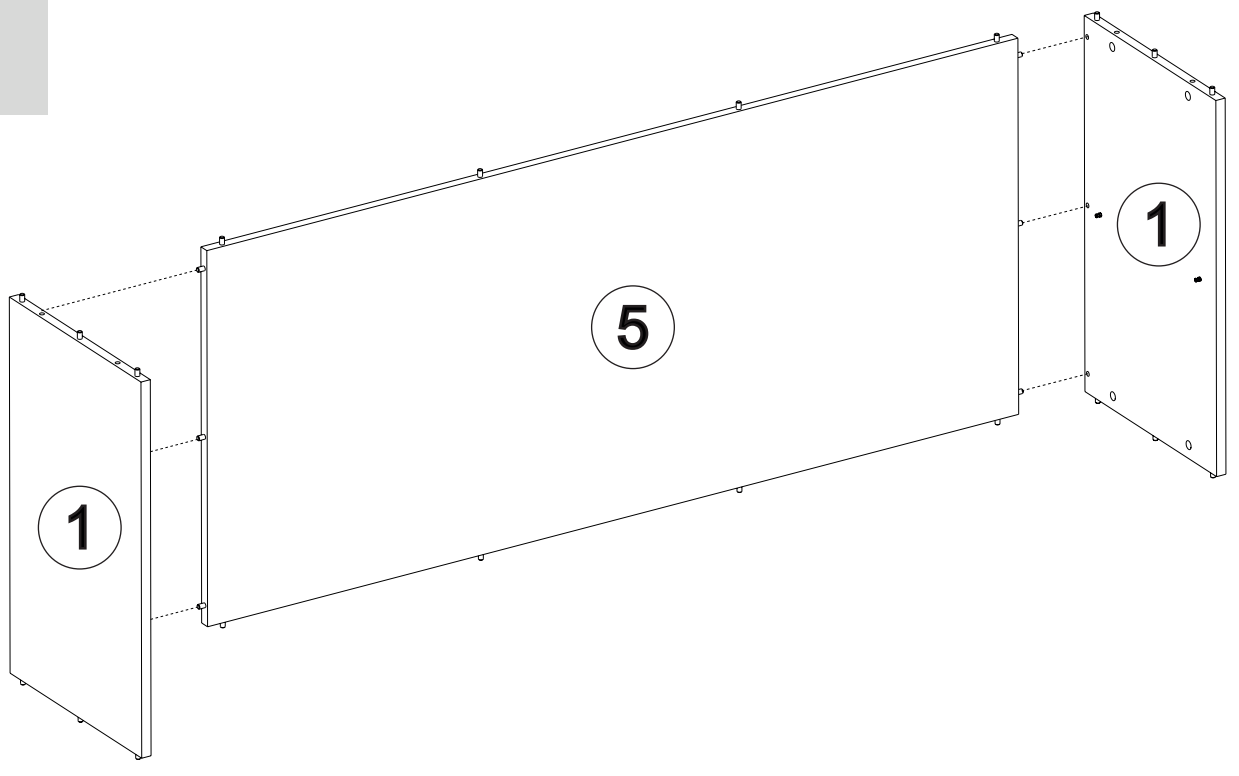


7

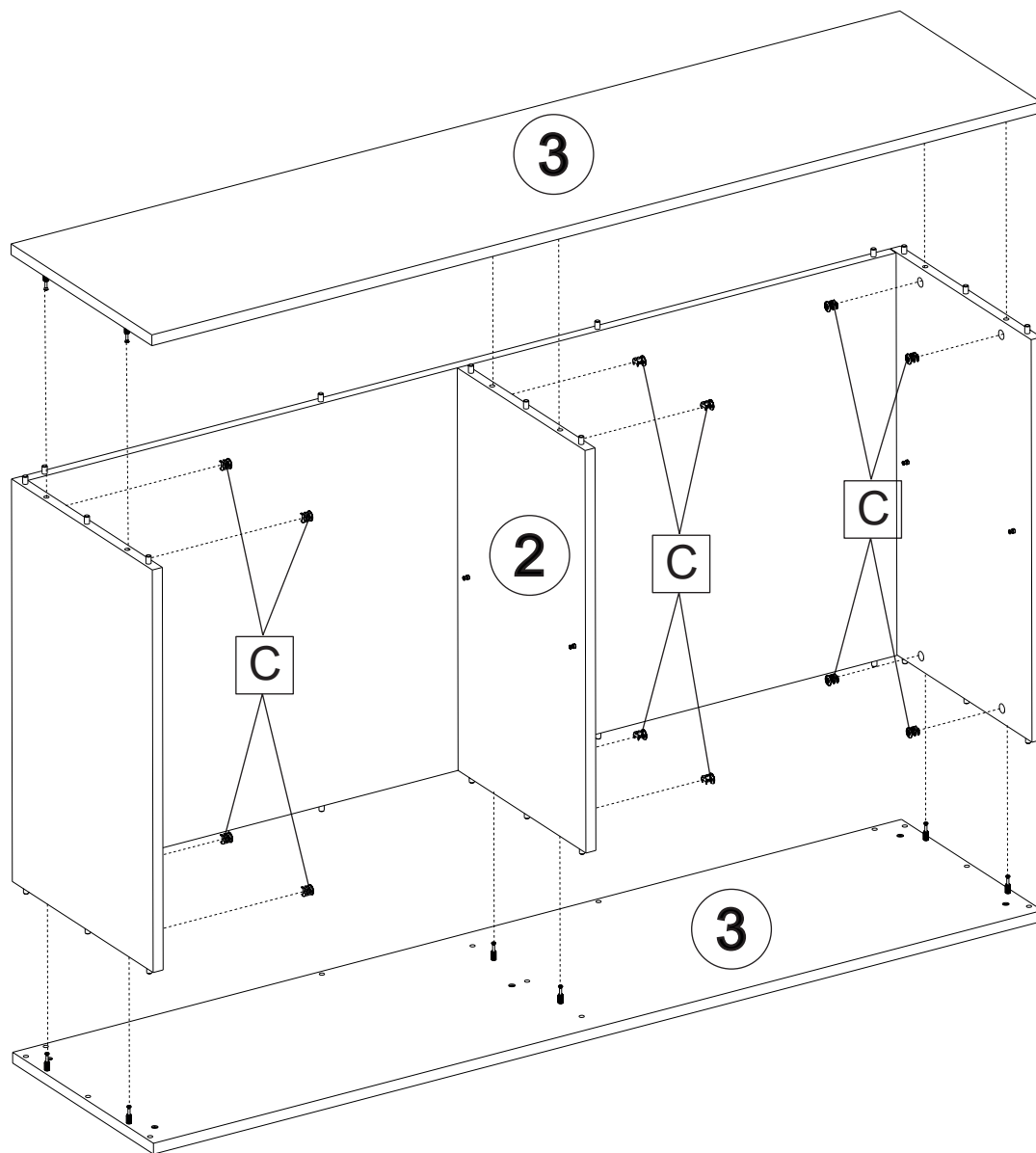
5

1

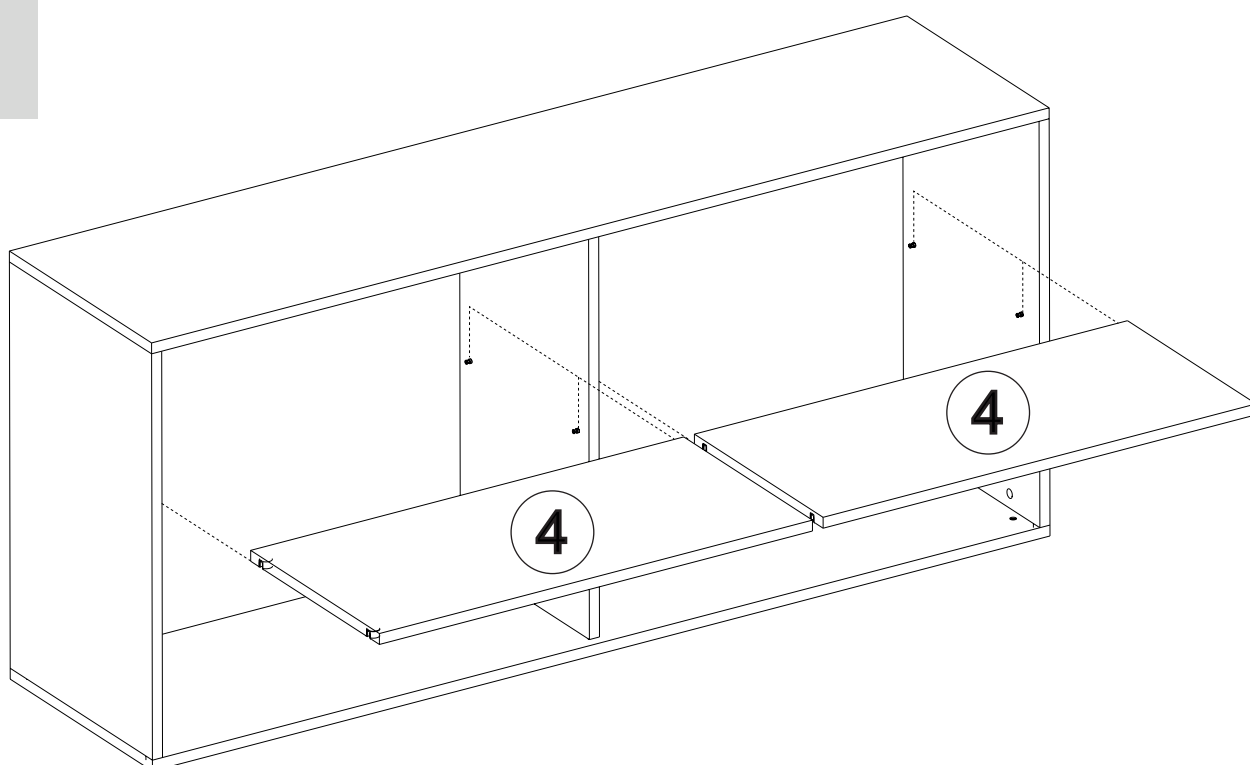
1



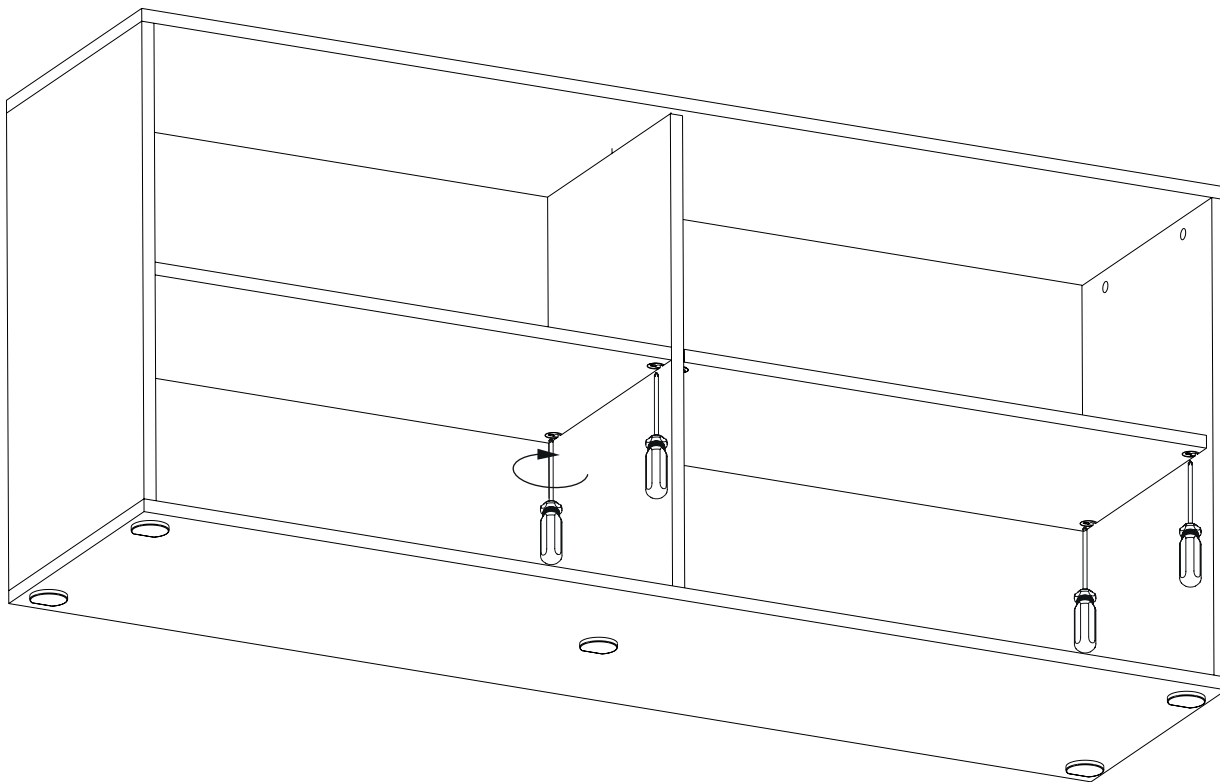
8



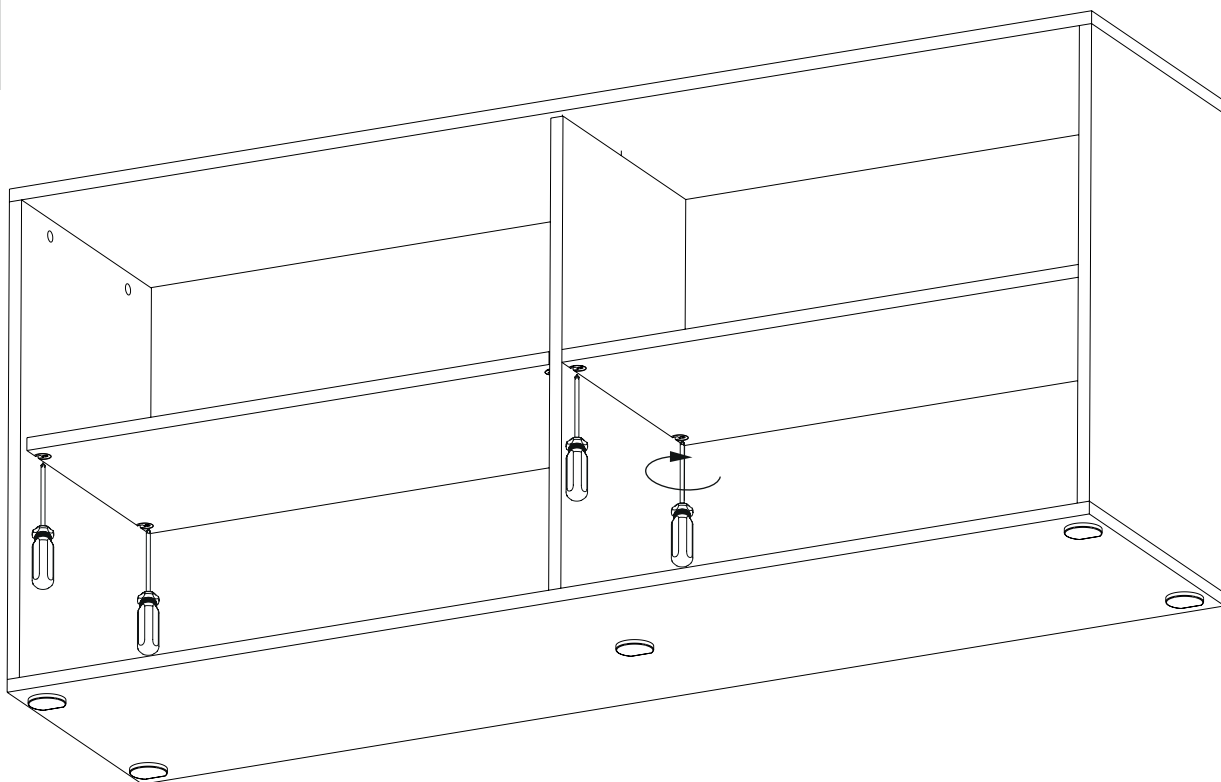
9



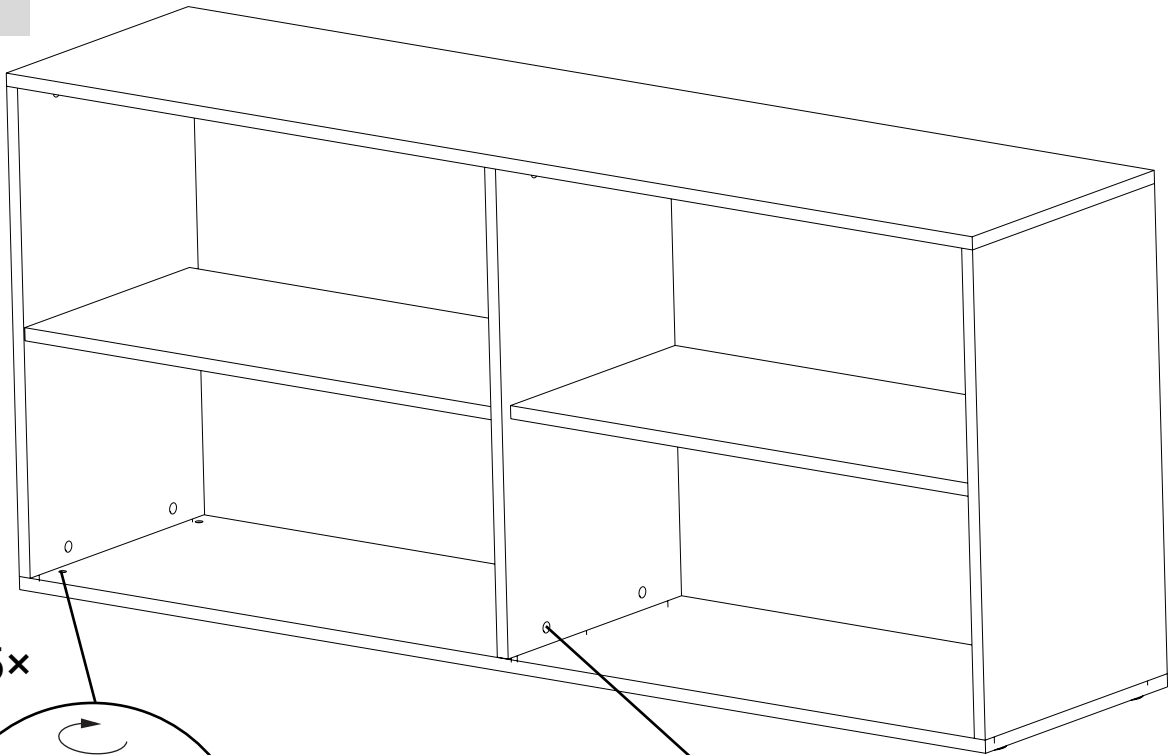
10



11



12



5x

