
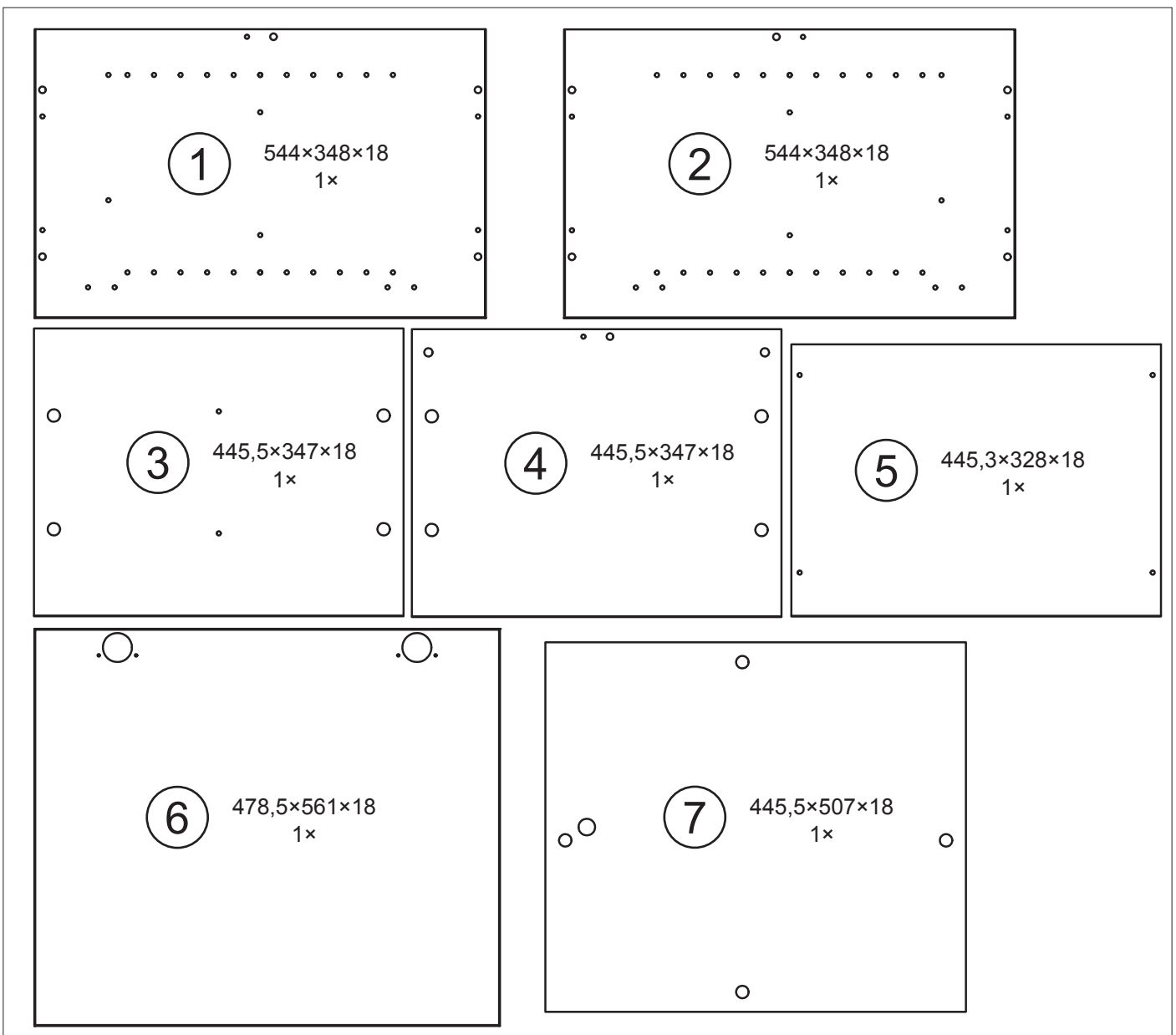
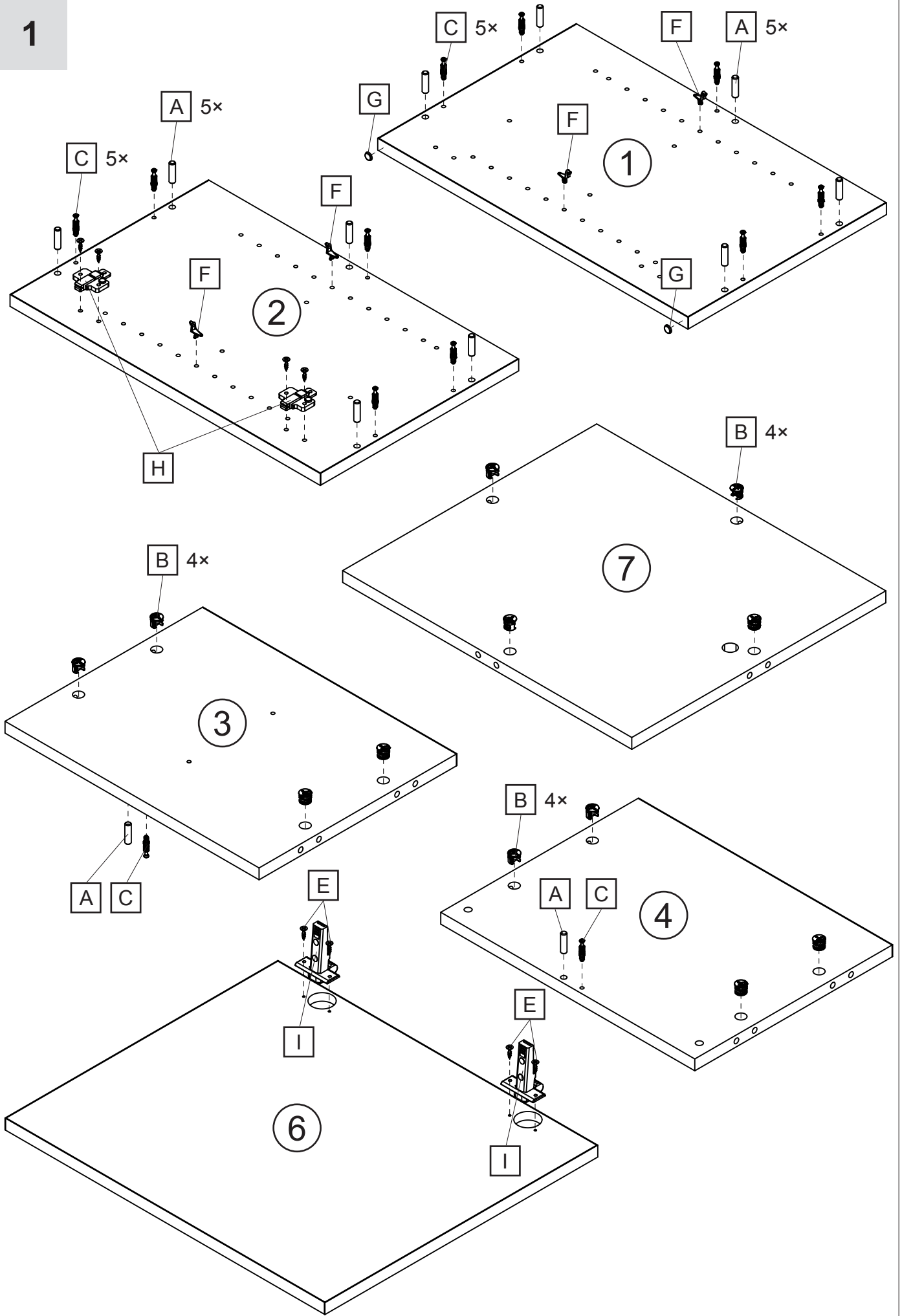
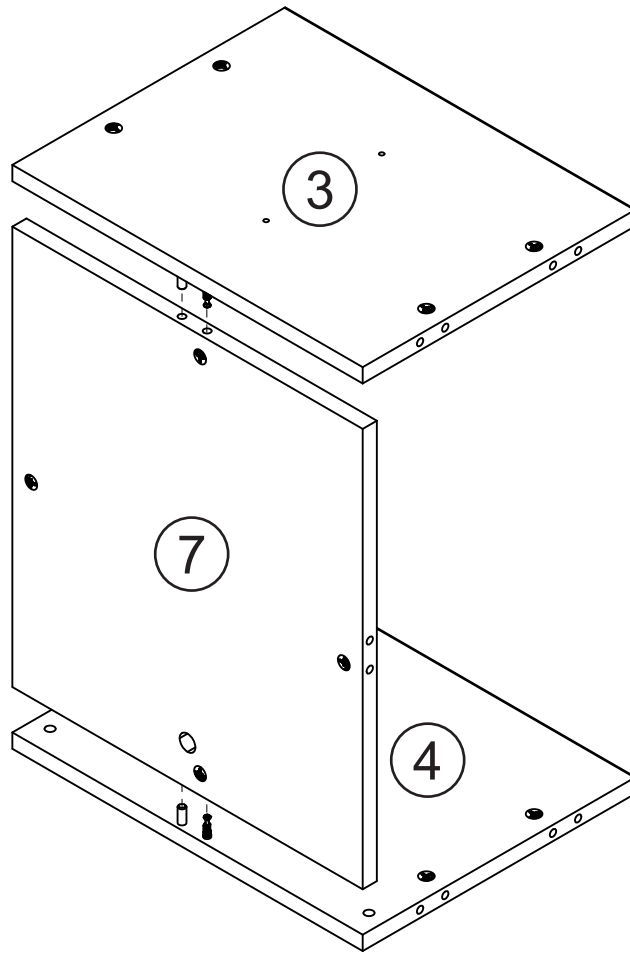

Ø8 × 35		Ø8 × 24		Ø3,5 × 16			
A 12×	B 12×	C 12×	D 12×	E 4×	F 4×	G 2×	H 2×
							
I 2×							



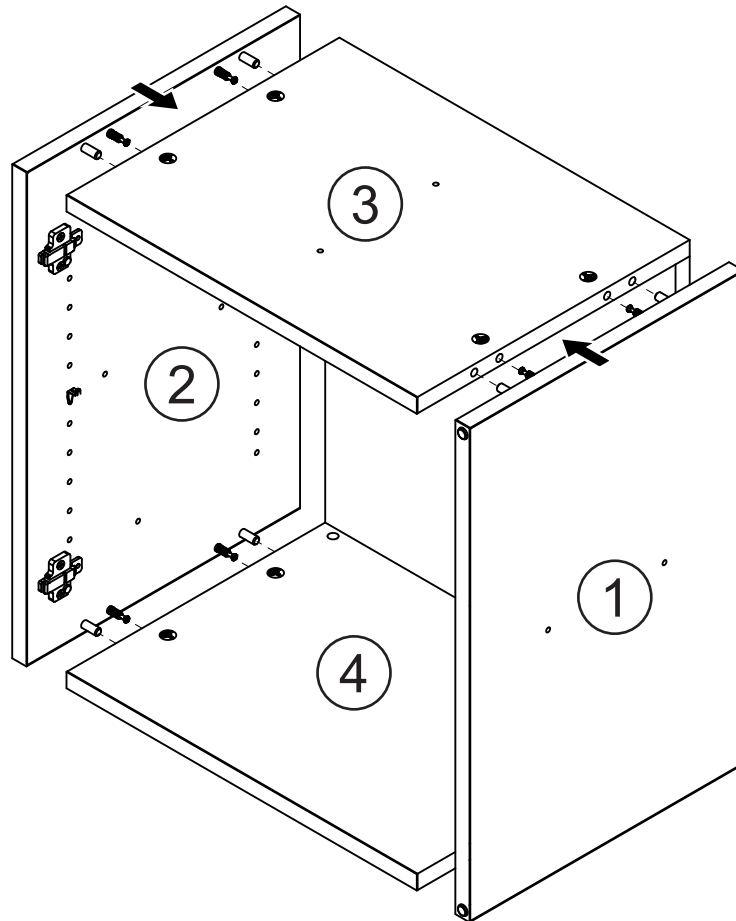
1



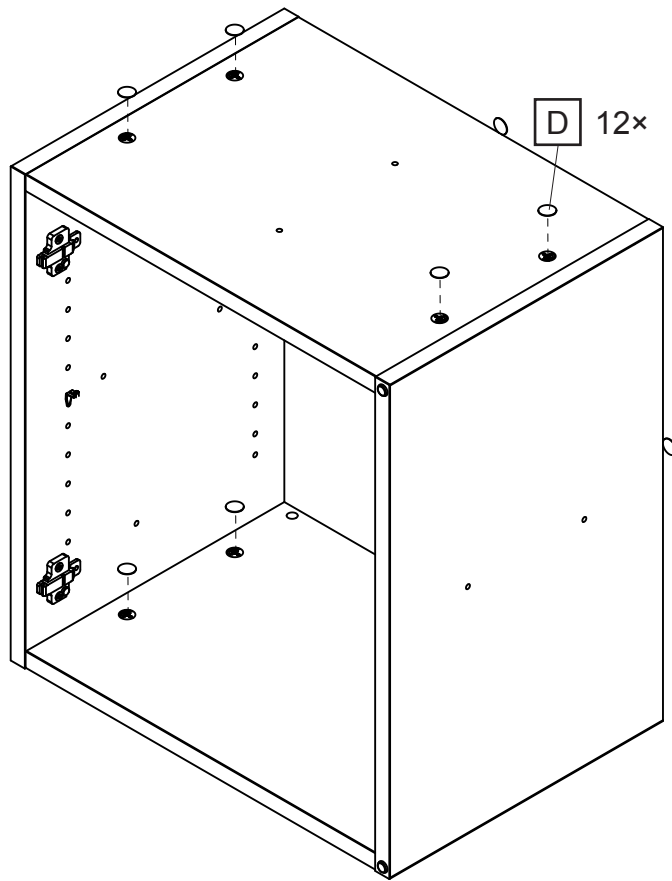
2



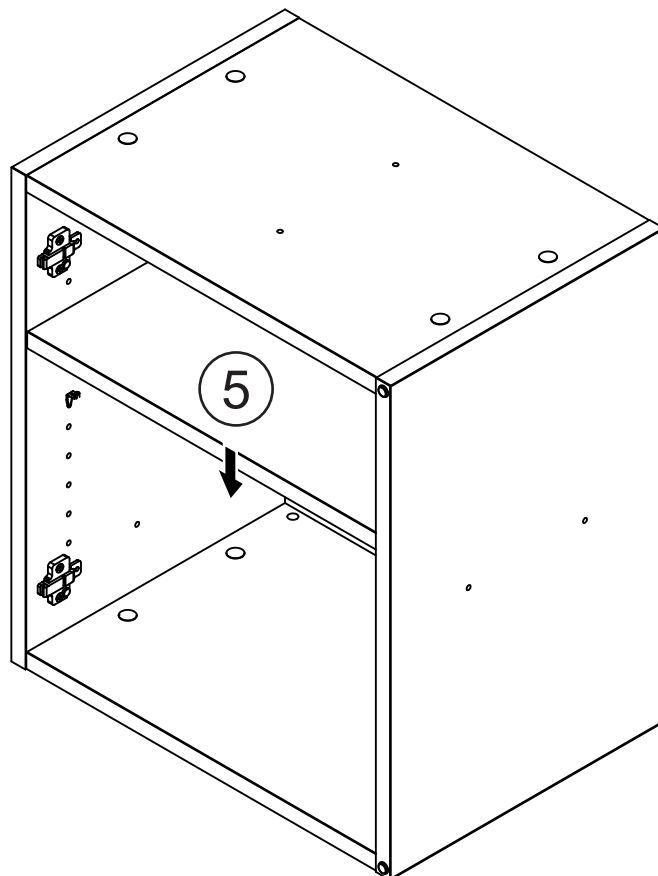
3



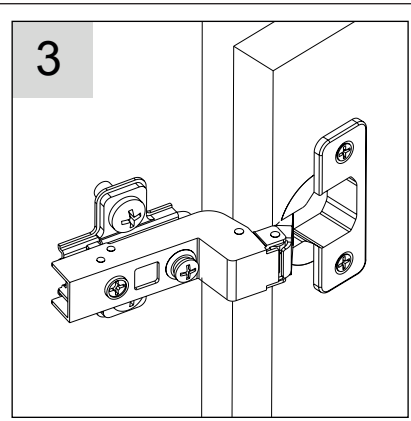
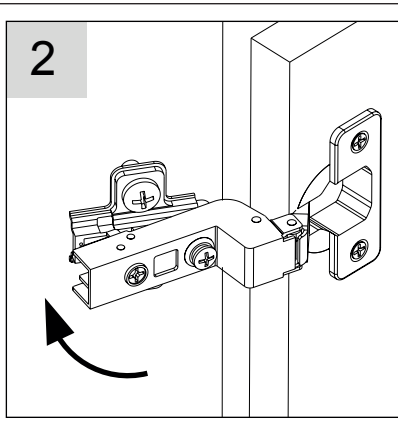
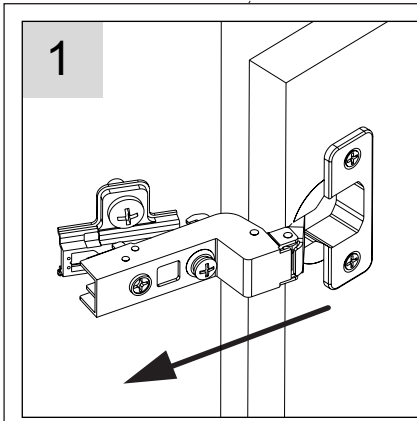
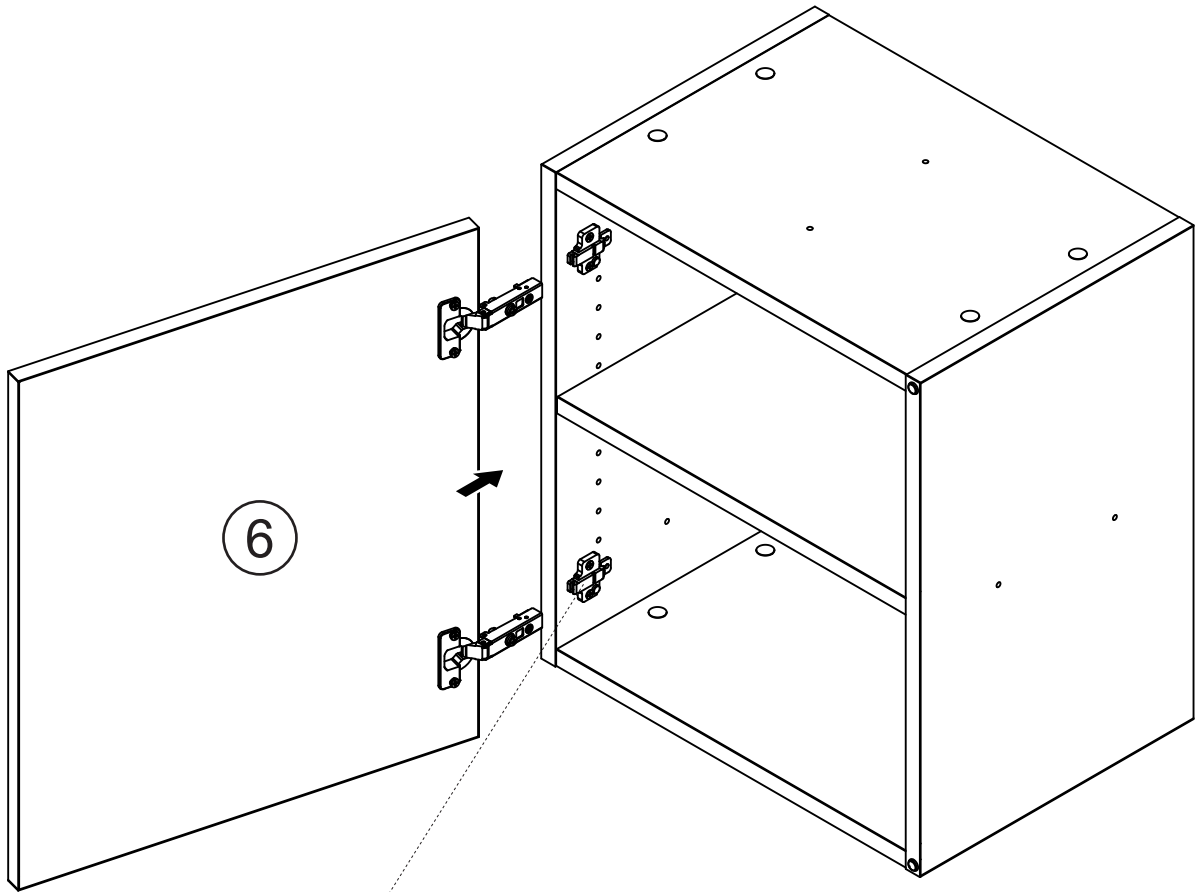
4



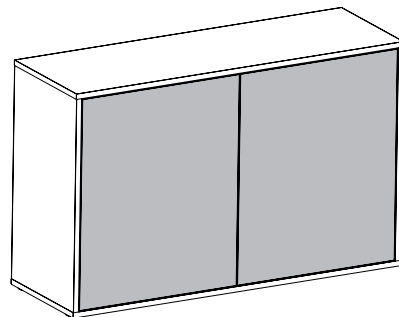
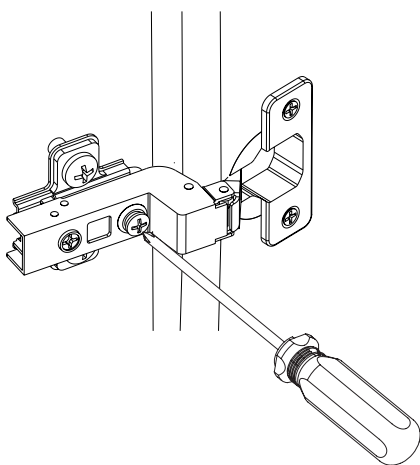
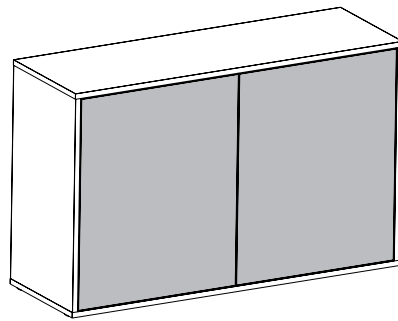
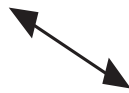
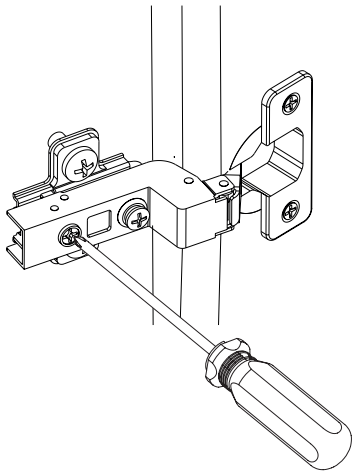
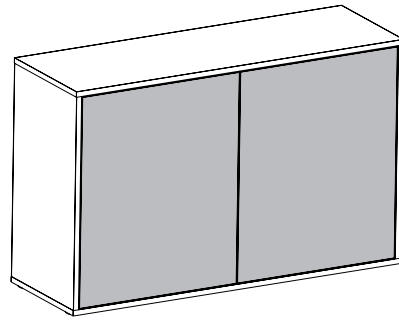
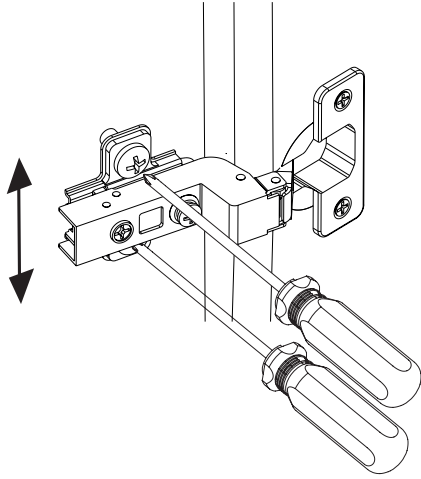
5

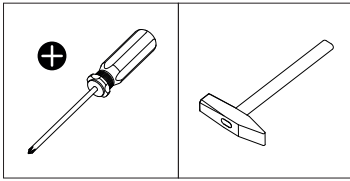
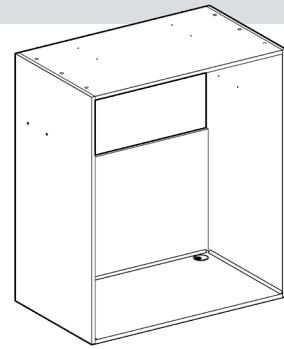







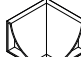


6

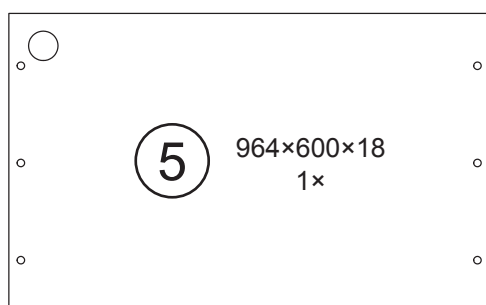
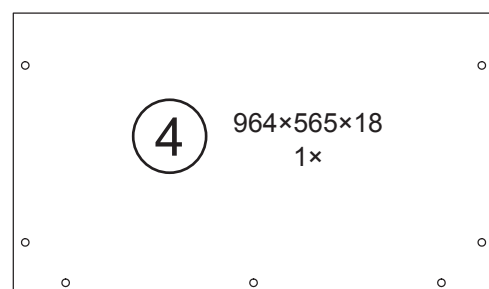
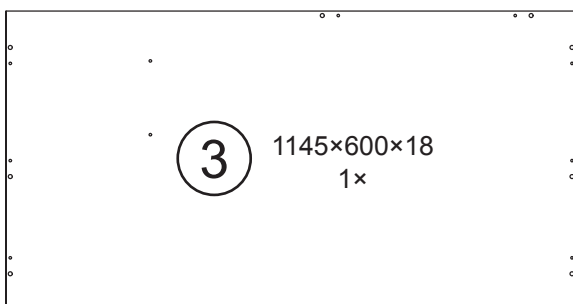
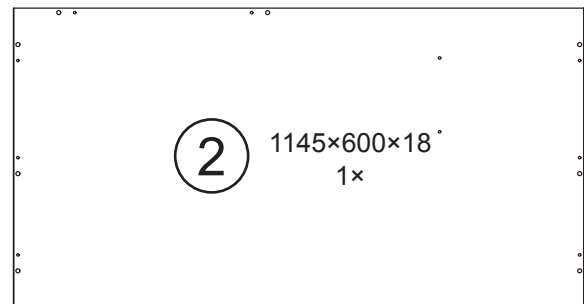
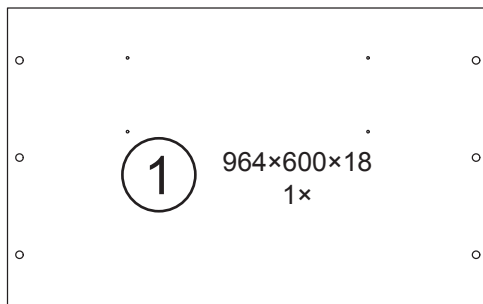


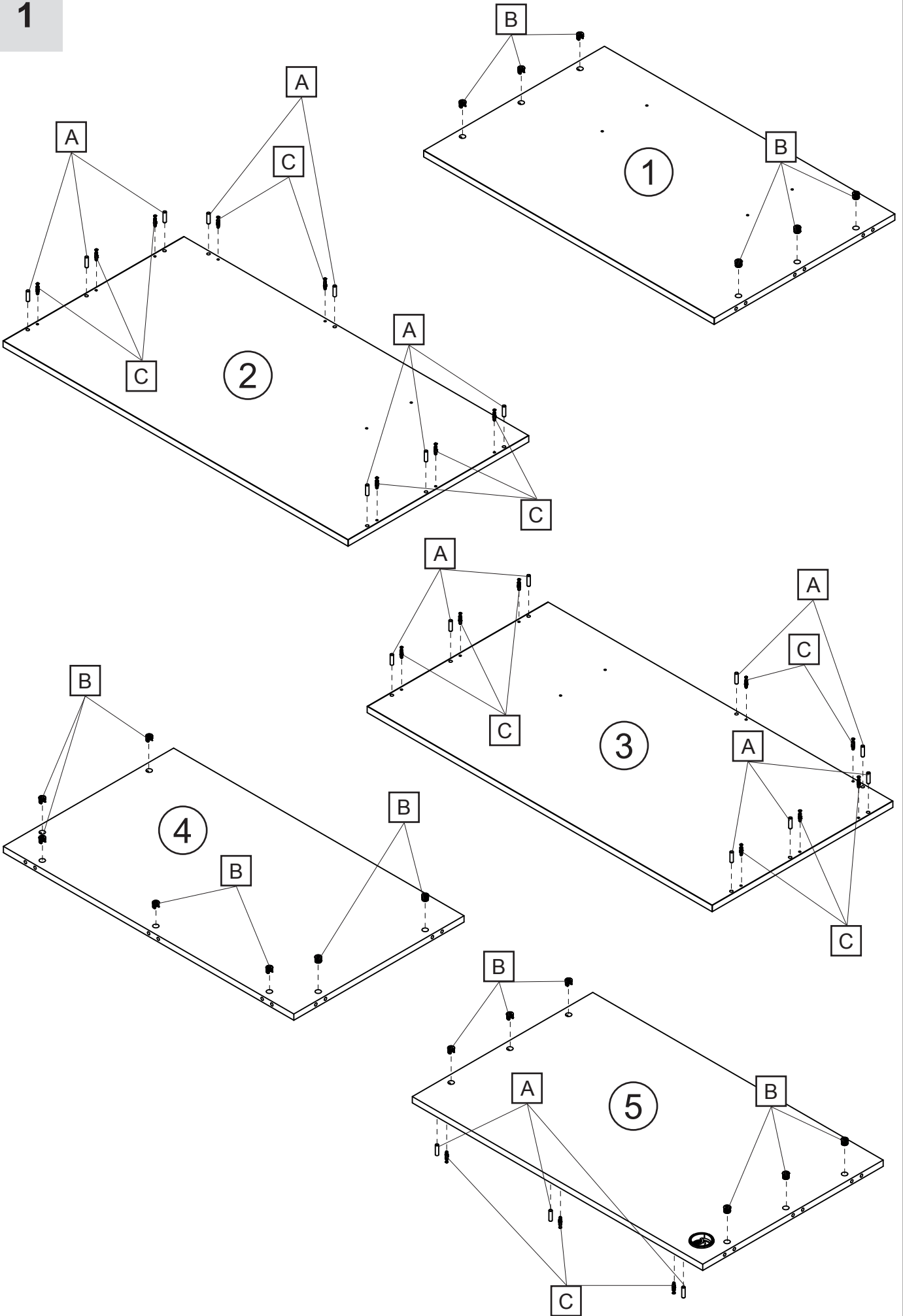
7





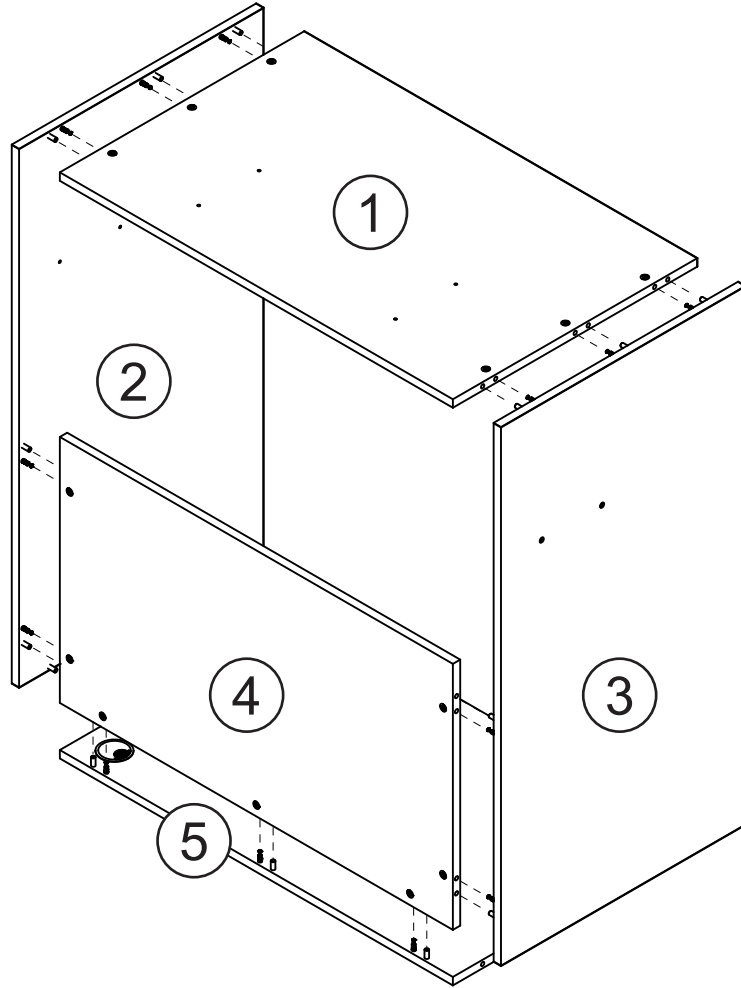
							
Ø8 × 35		Ø8 × 24				565 mm	934 mm
A 19×	B 19×	C 19×	D 13×	E 2×	F 2×	G 2×	H 1×



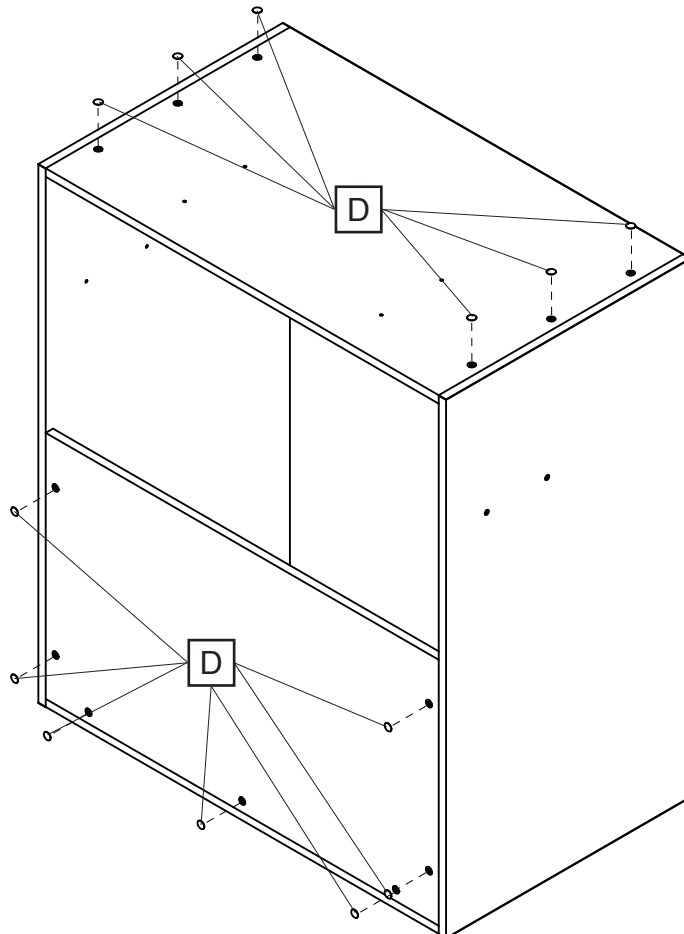




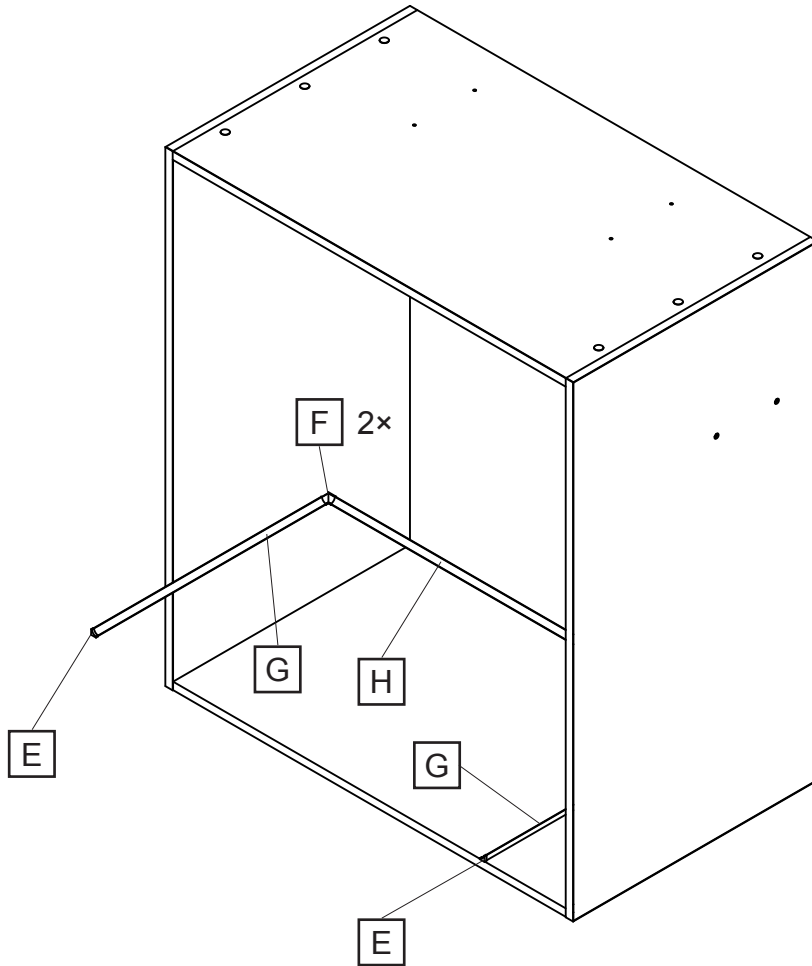
2



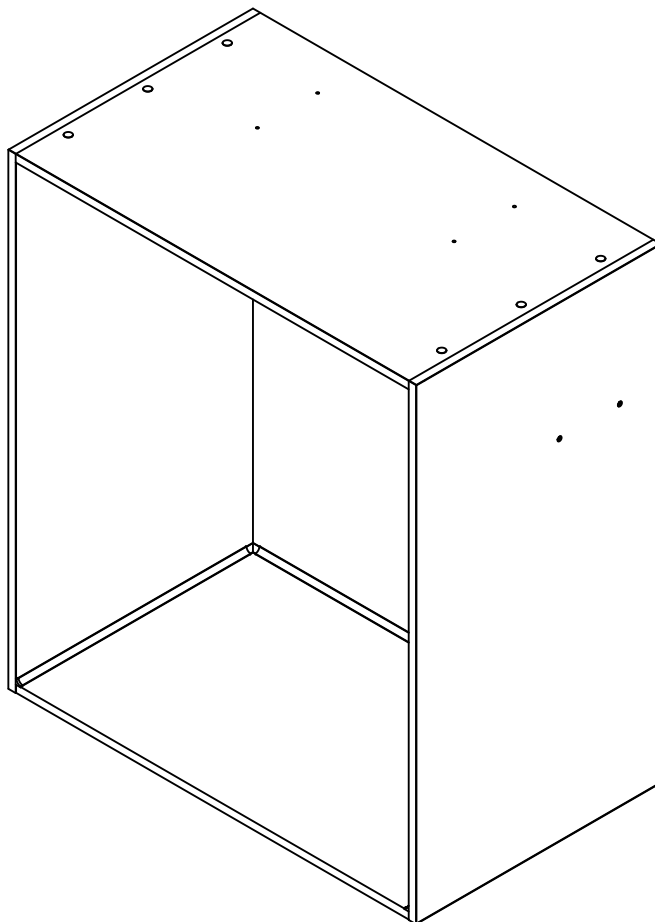
3

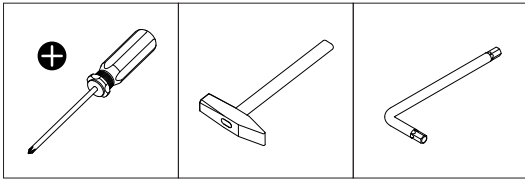
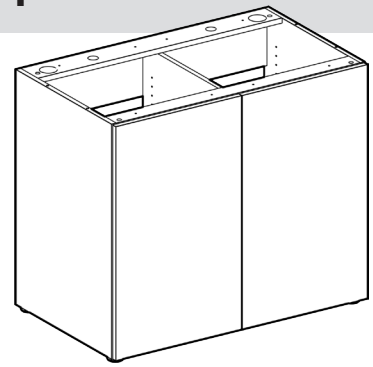













4

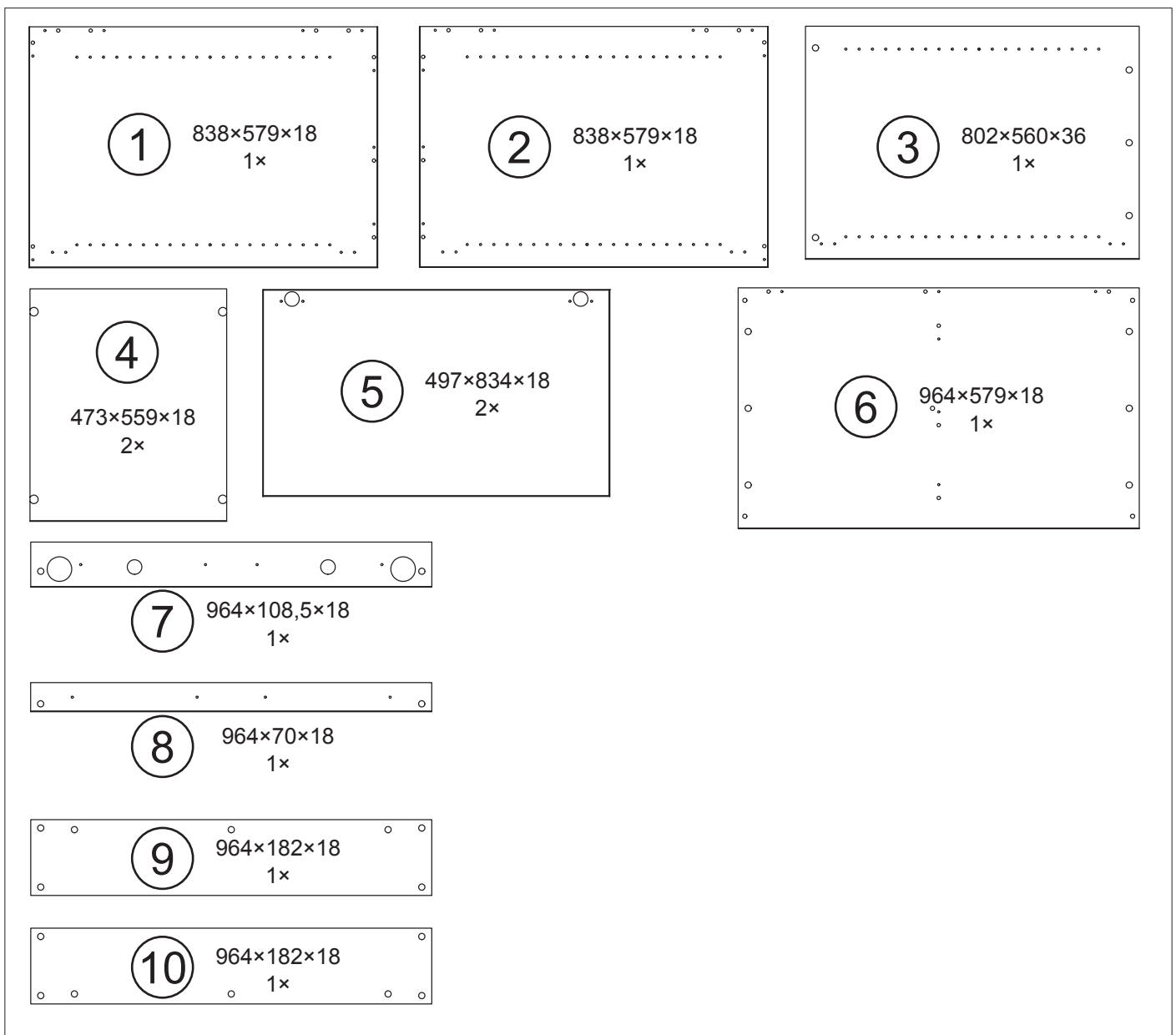


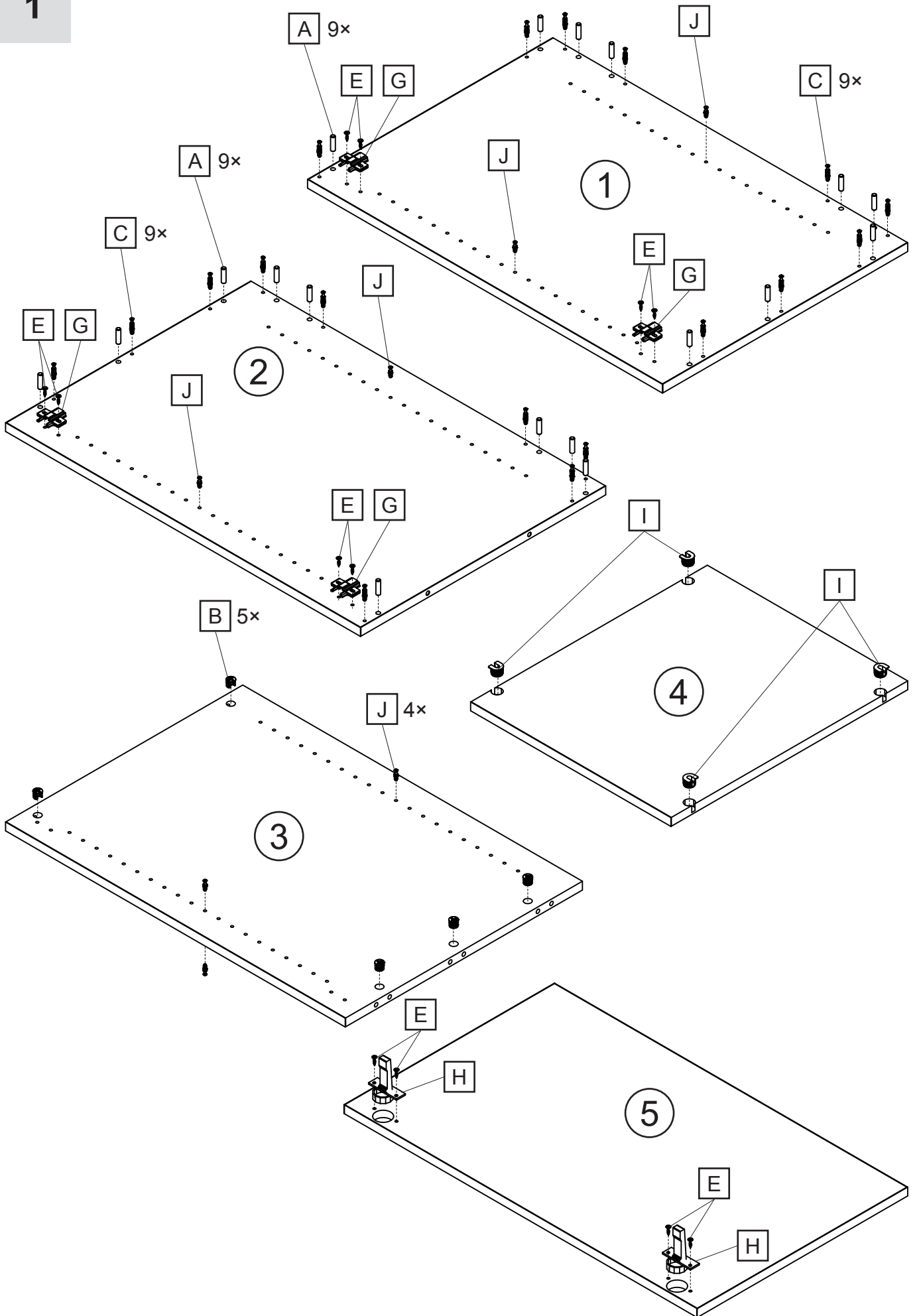
5



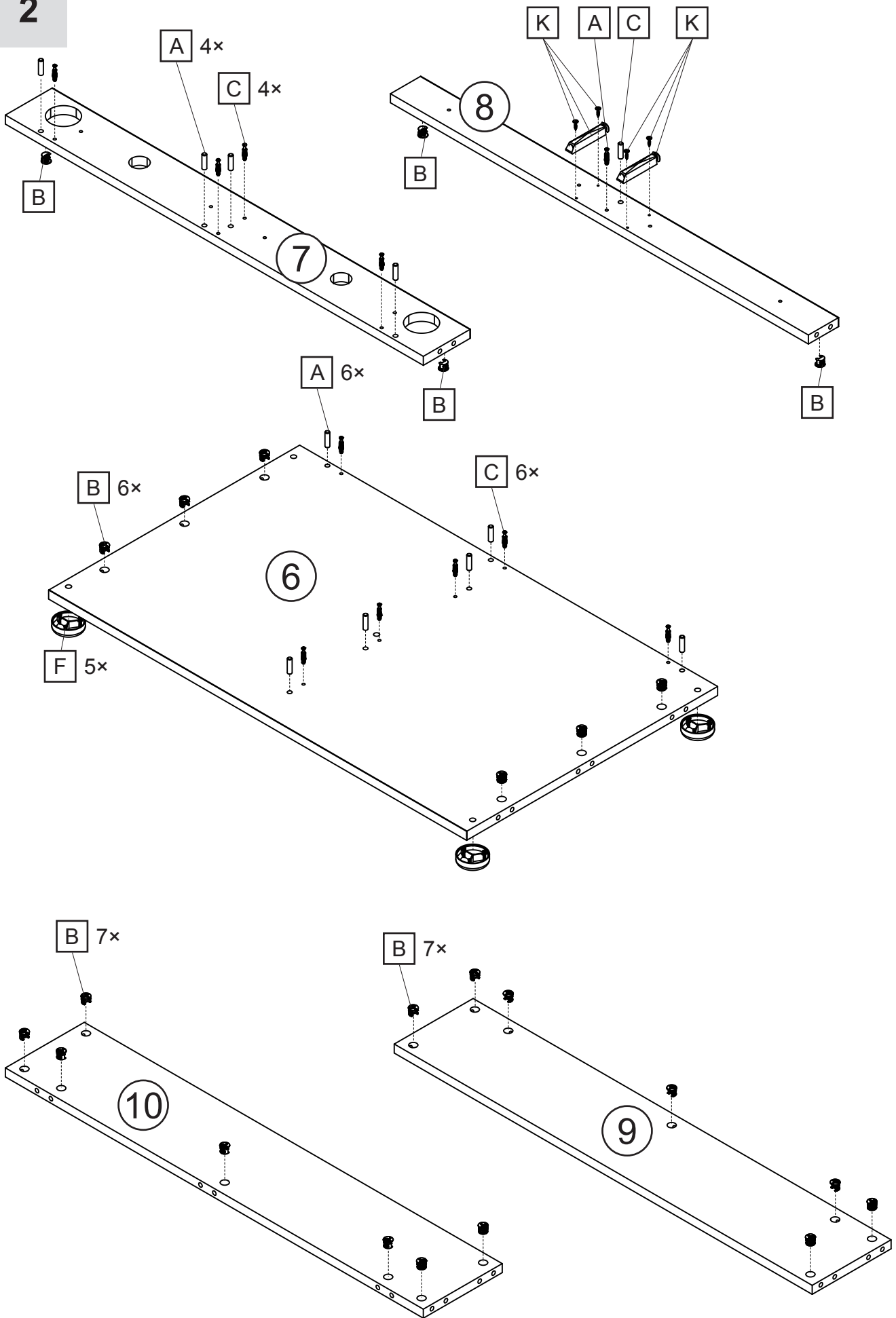


							
Ø8 × 35		Ø8 × 24		Ø3,5 × 16			
A 29×	B 29×	C 29×	D 29×	E 16×	F 5×	G 4×	H 4×
							
35/16	35/16						
I 8×	J 8×	K 2×					

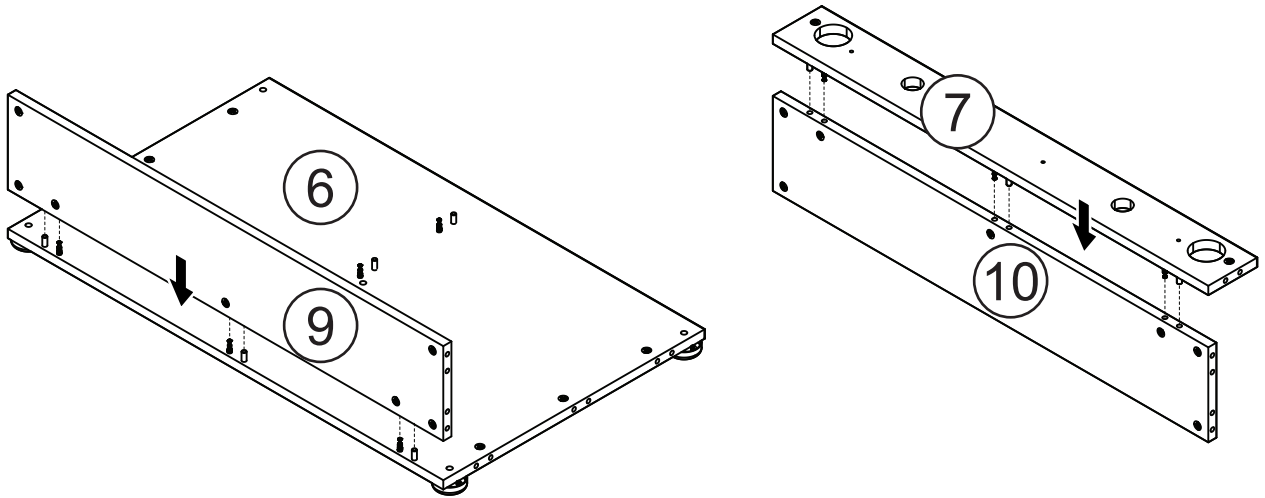




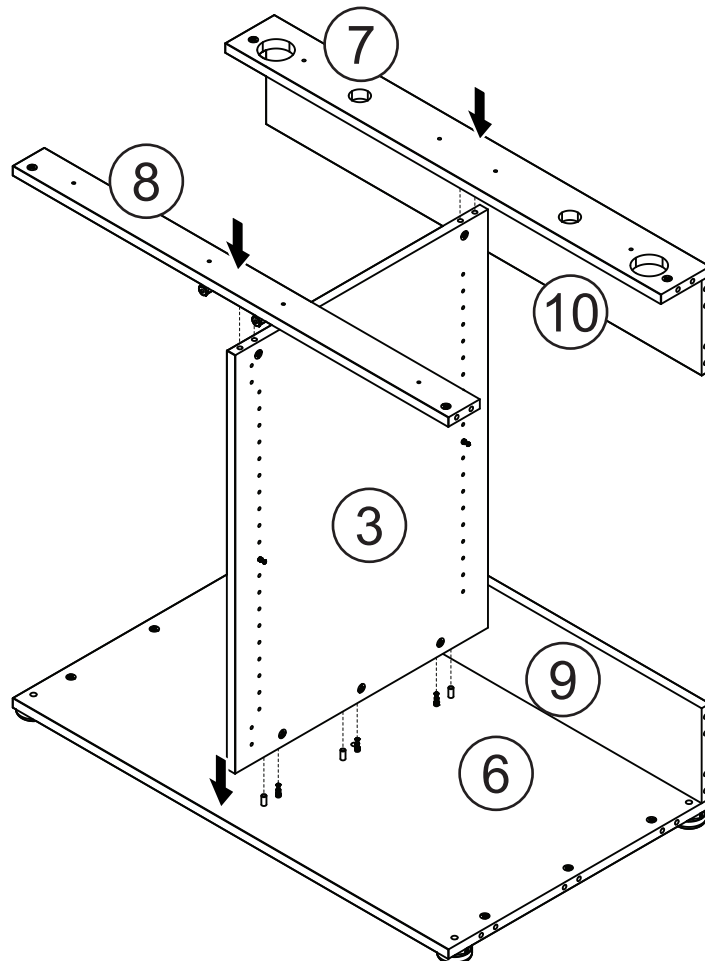
2



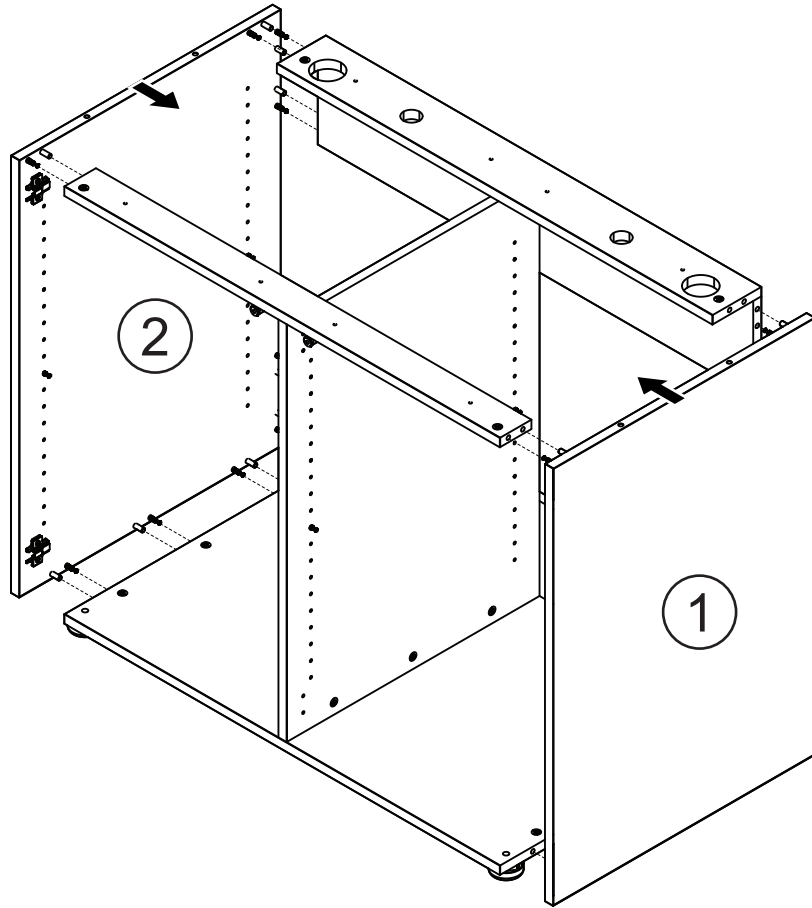
3



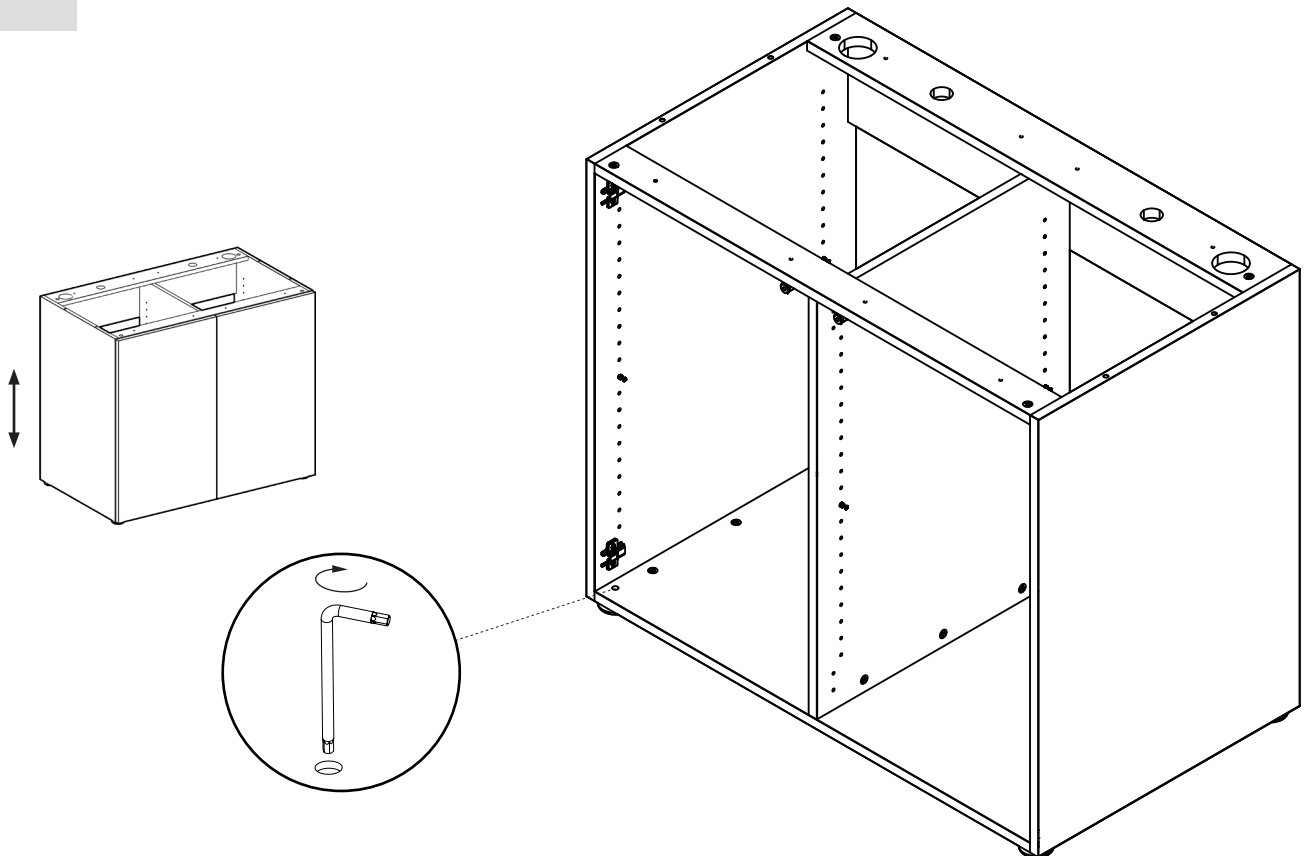
4



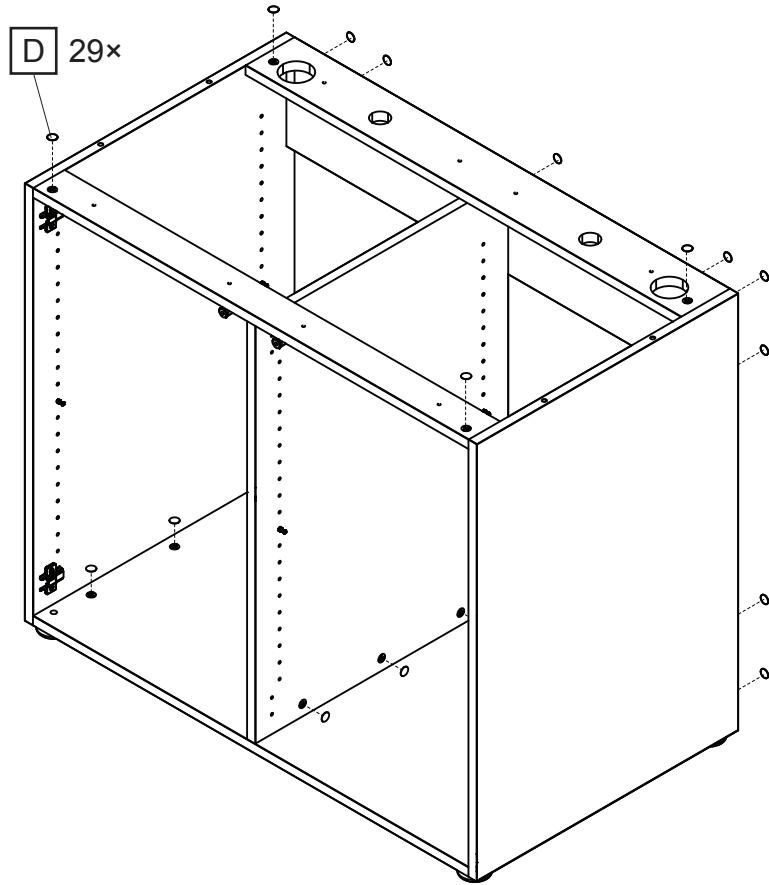
5



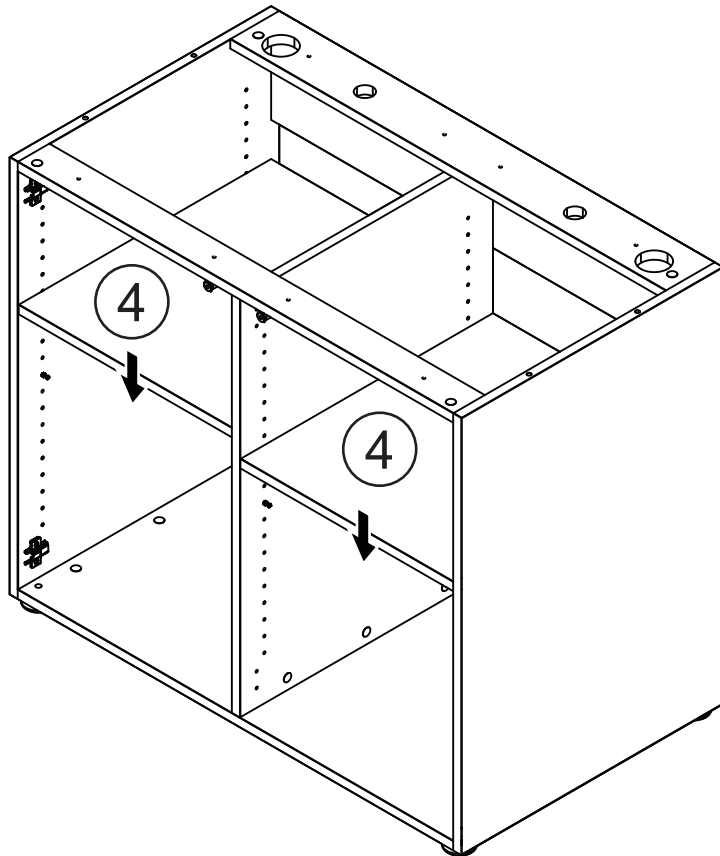
6



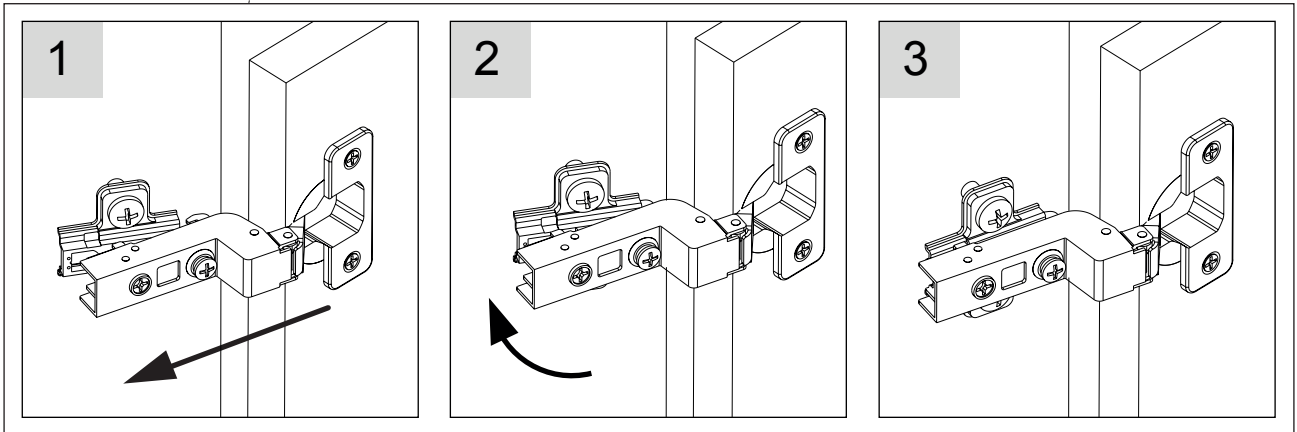
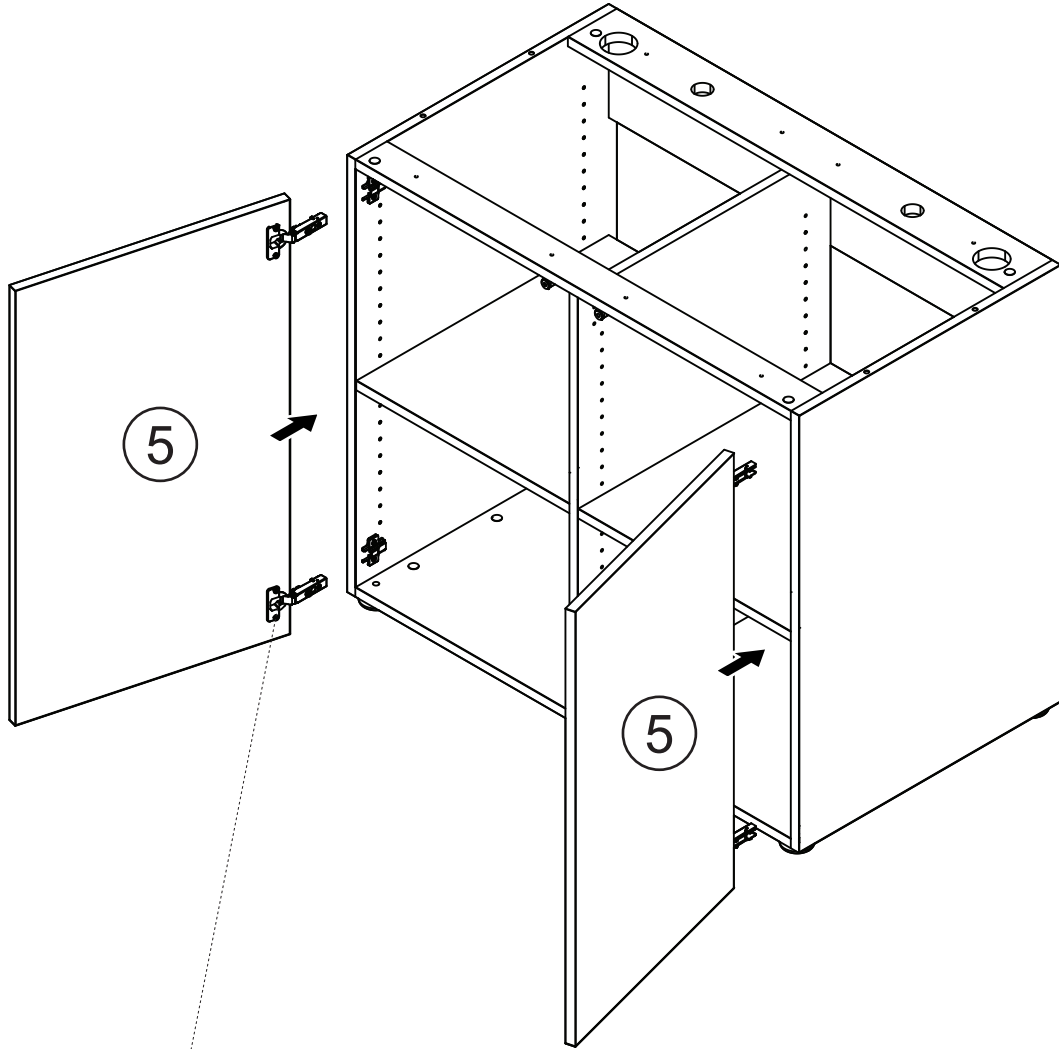
7

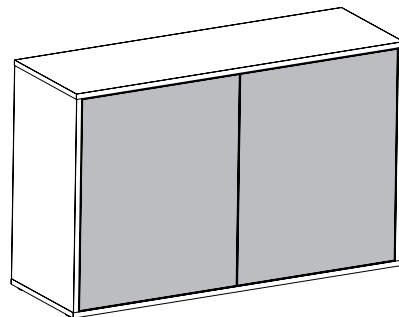
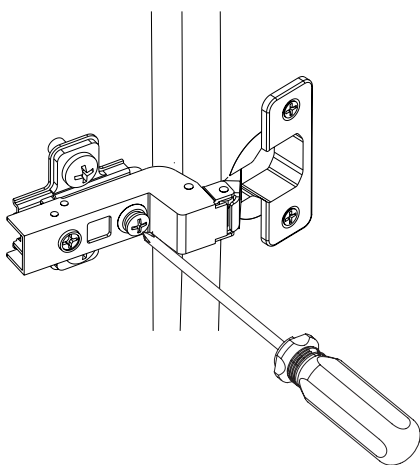
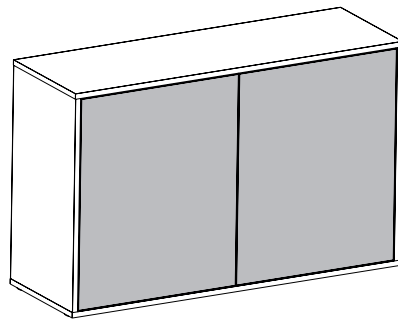
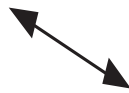
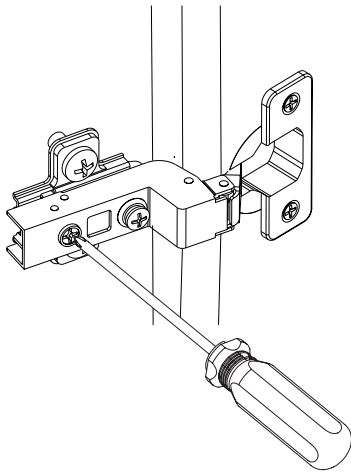
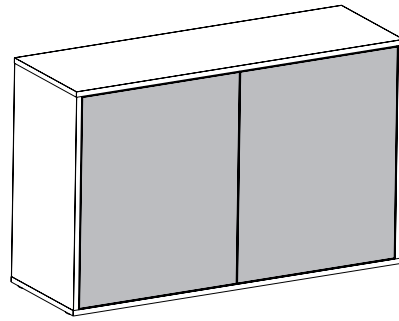
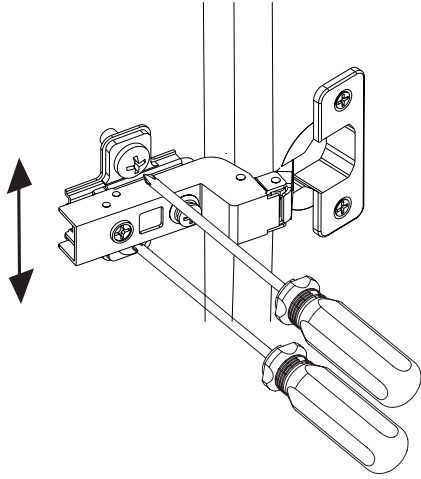


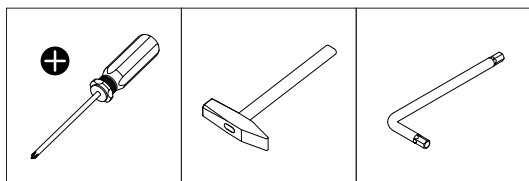
8







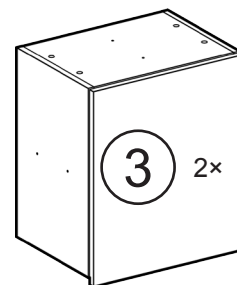
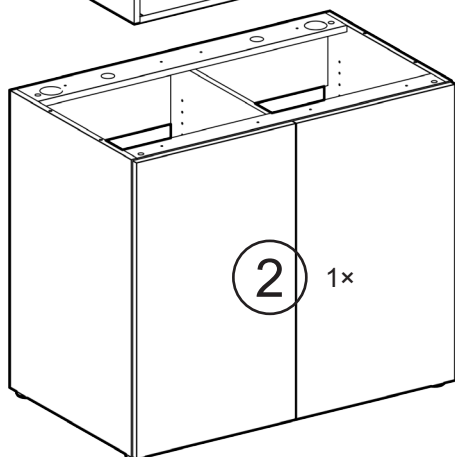
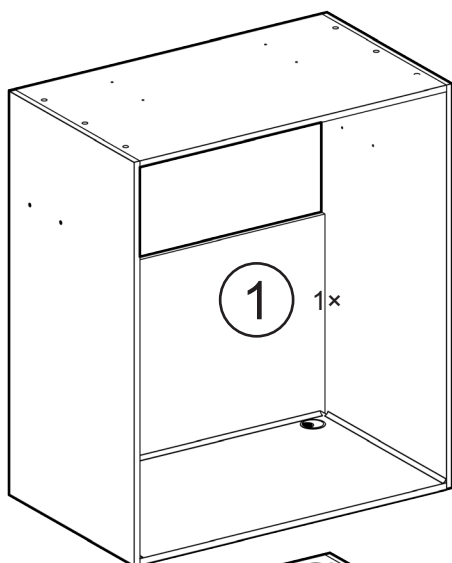
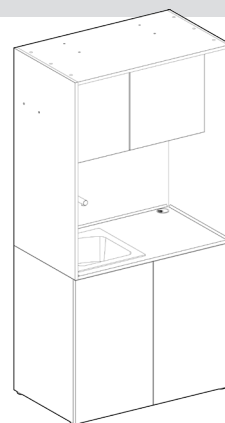




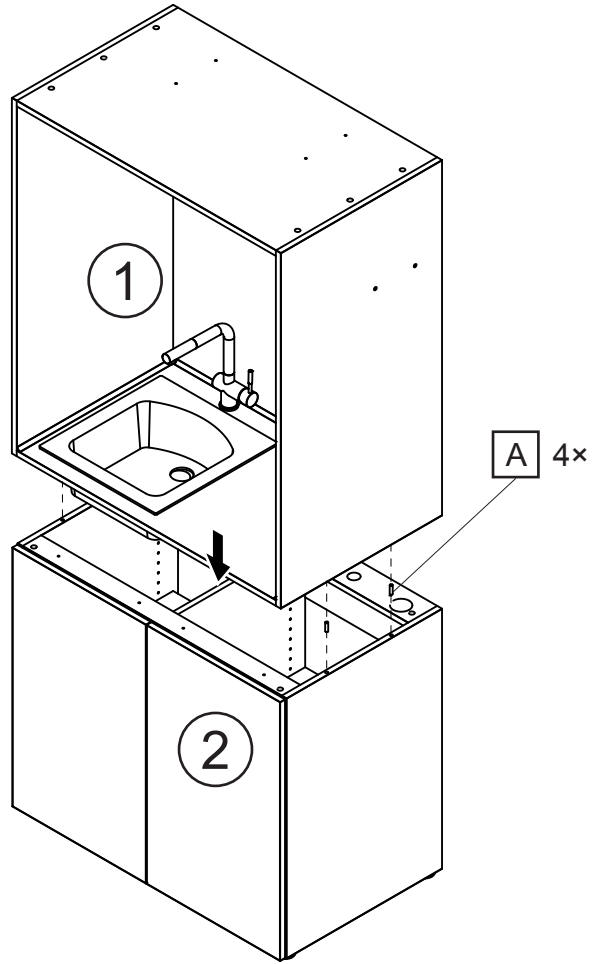




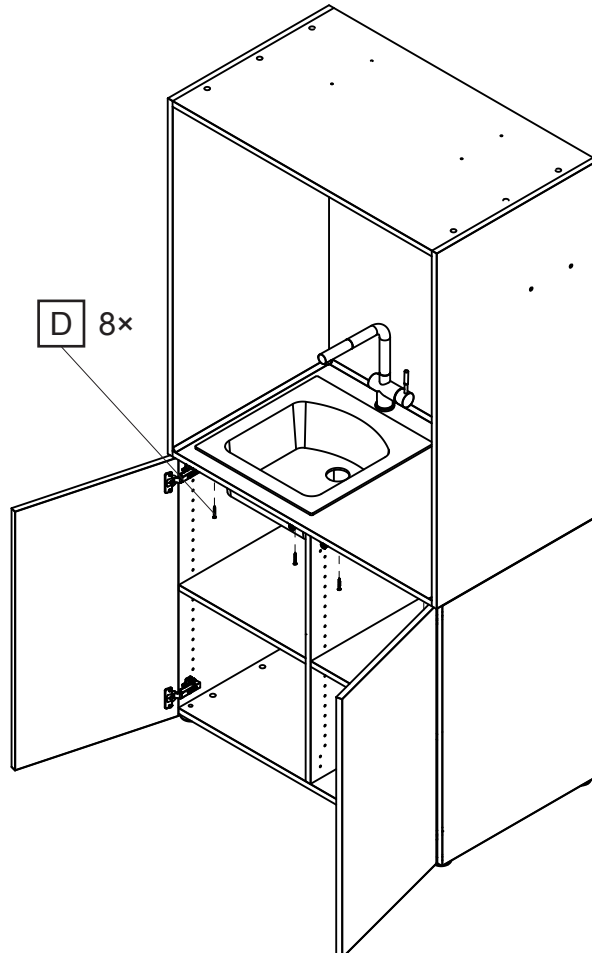
			
Ø8 x 35			Ø3,5 x 30
A 4x	B 10x	C 10x	D 8x



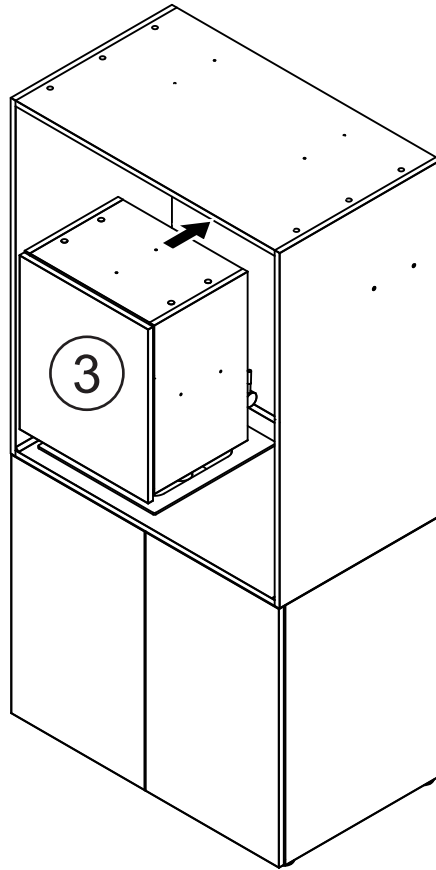
1



2



3



4

