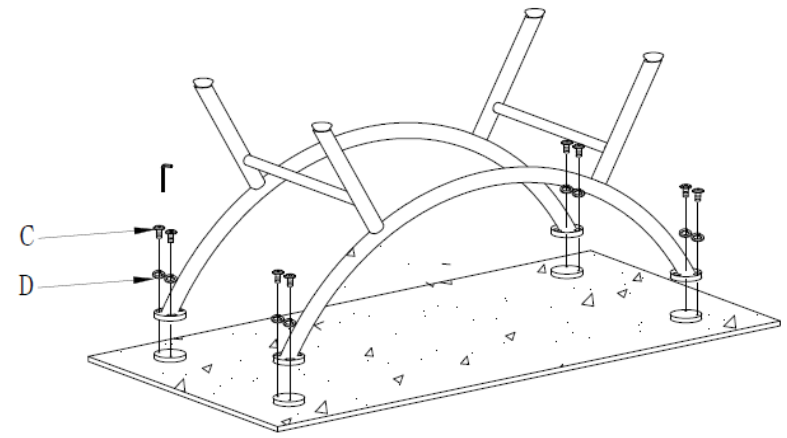
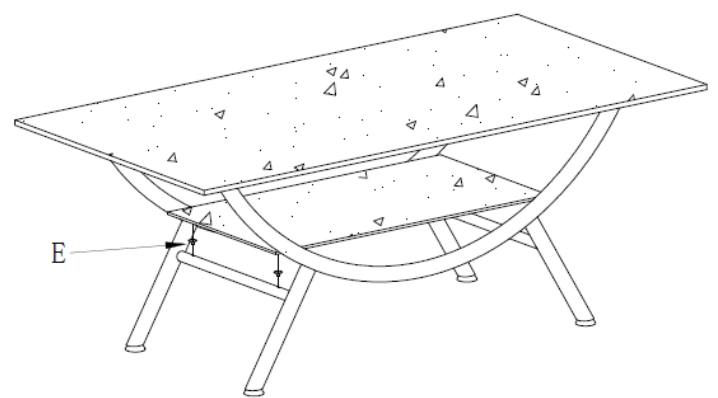


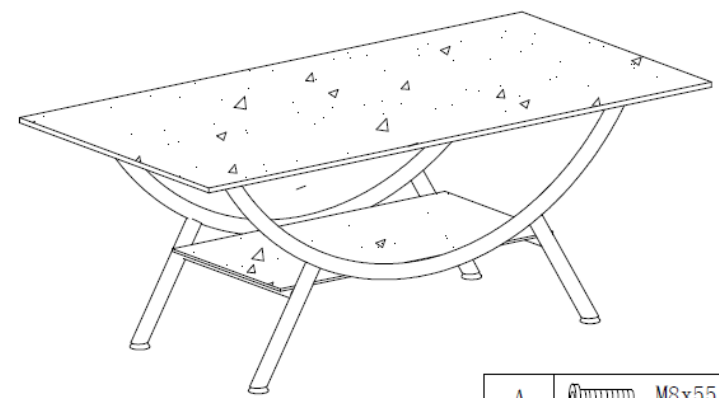
Step: 1



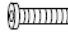




Step: 2



Step: 3



Step: 4

A		M8x55	4
B			4
C		M5x8	8
D			8
E			4