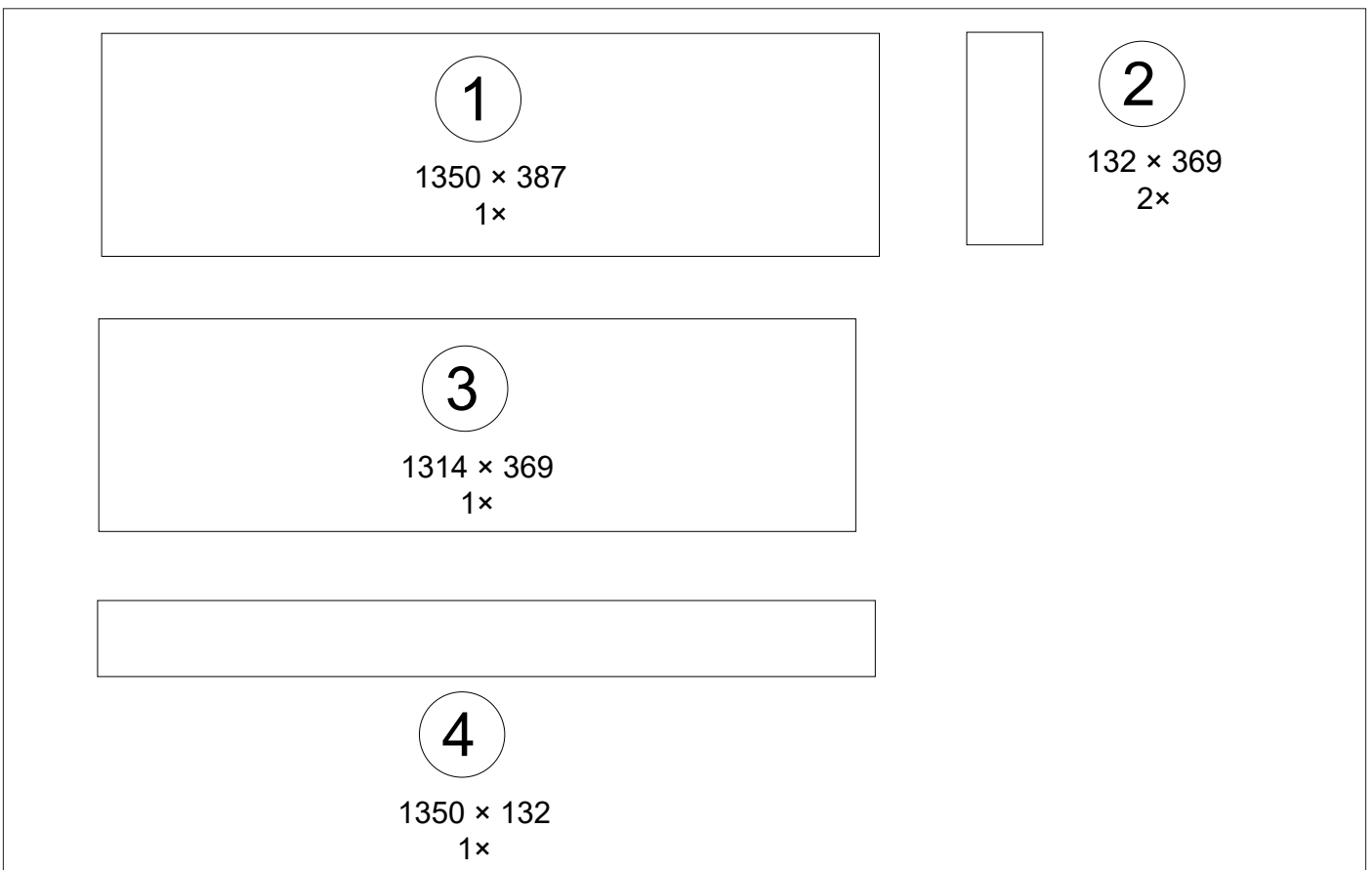
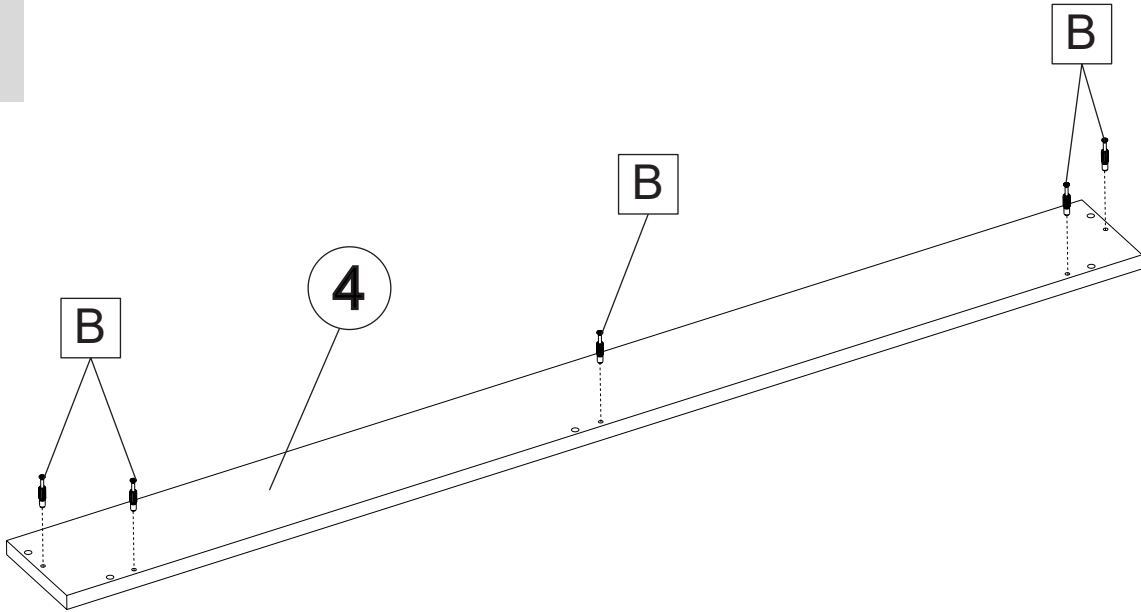
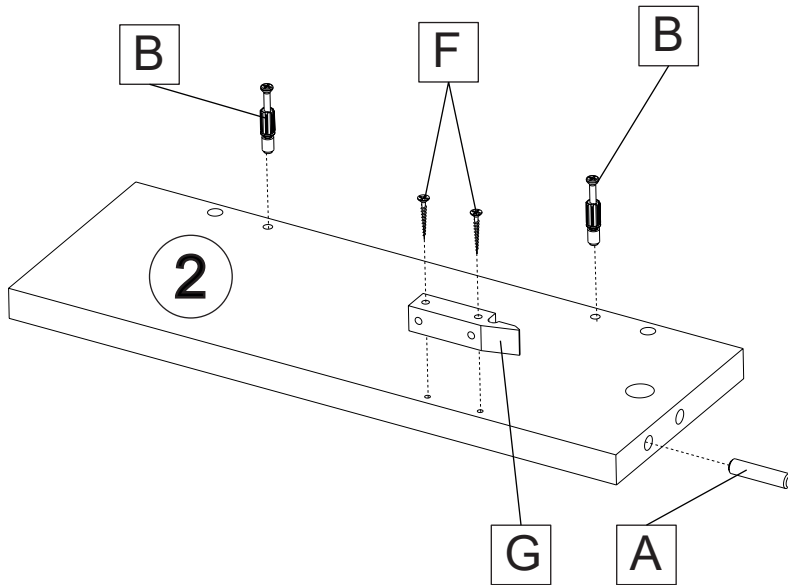

Ø8 × 35				Ø3,5 × 30	
A 9×	B 9×	C 9×	D 9×	E 14×	F 4×



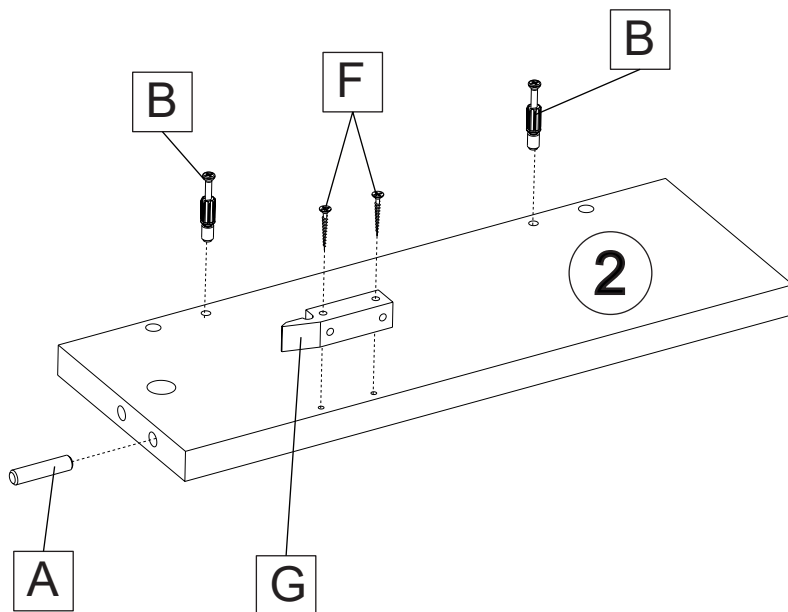
1



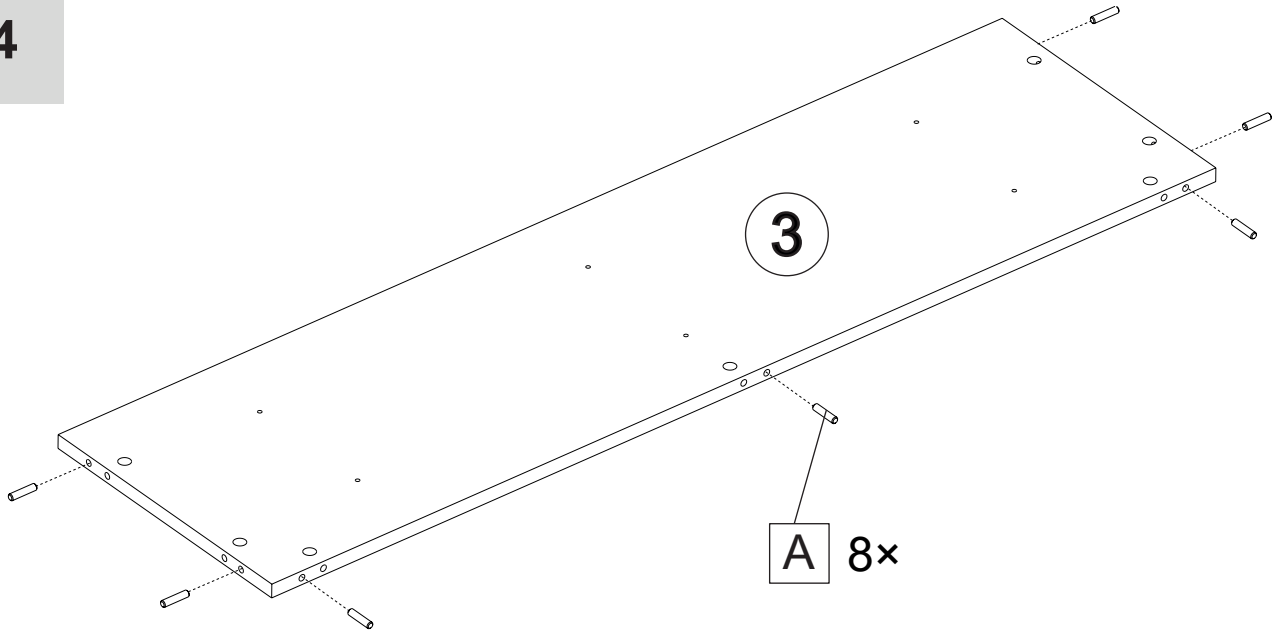
2



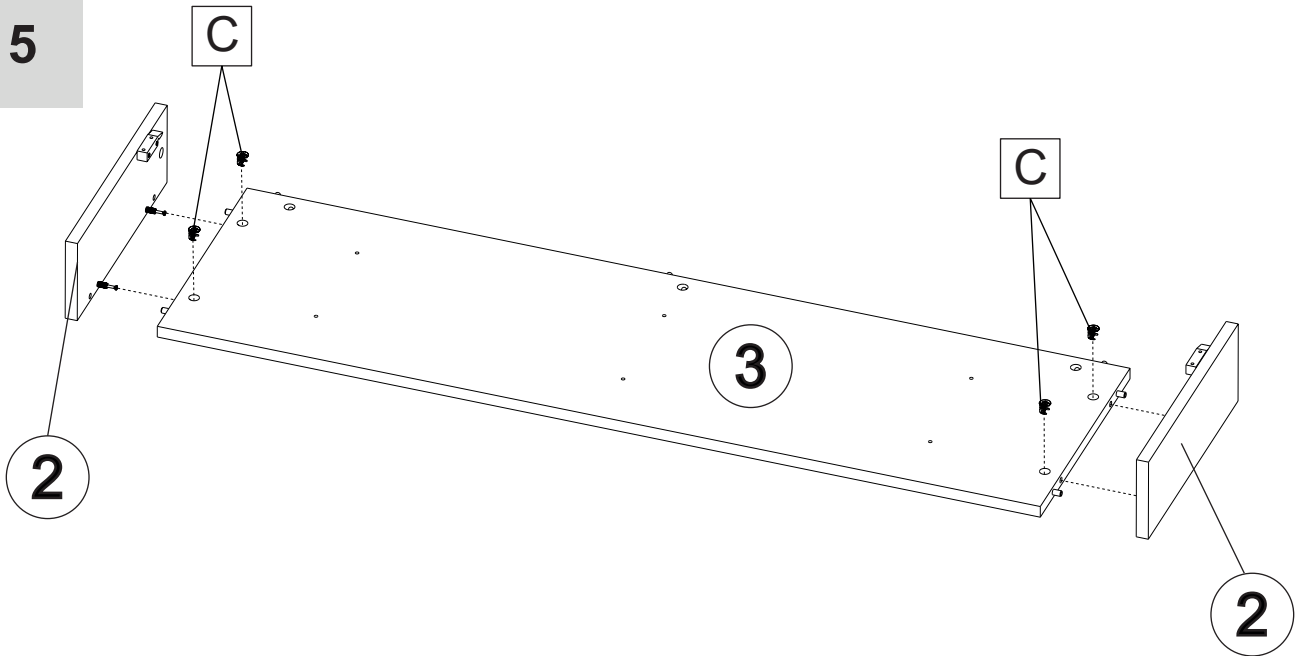
3



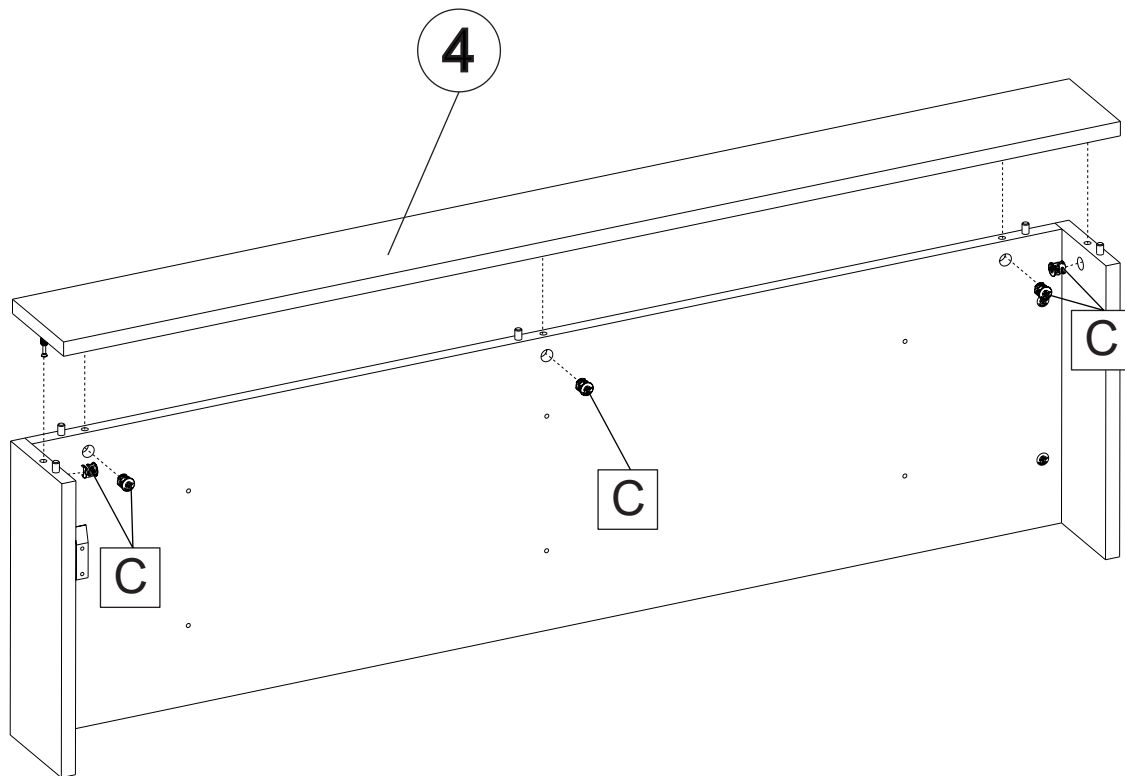
4



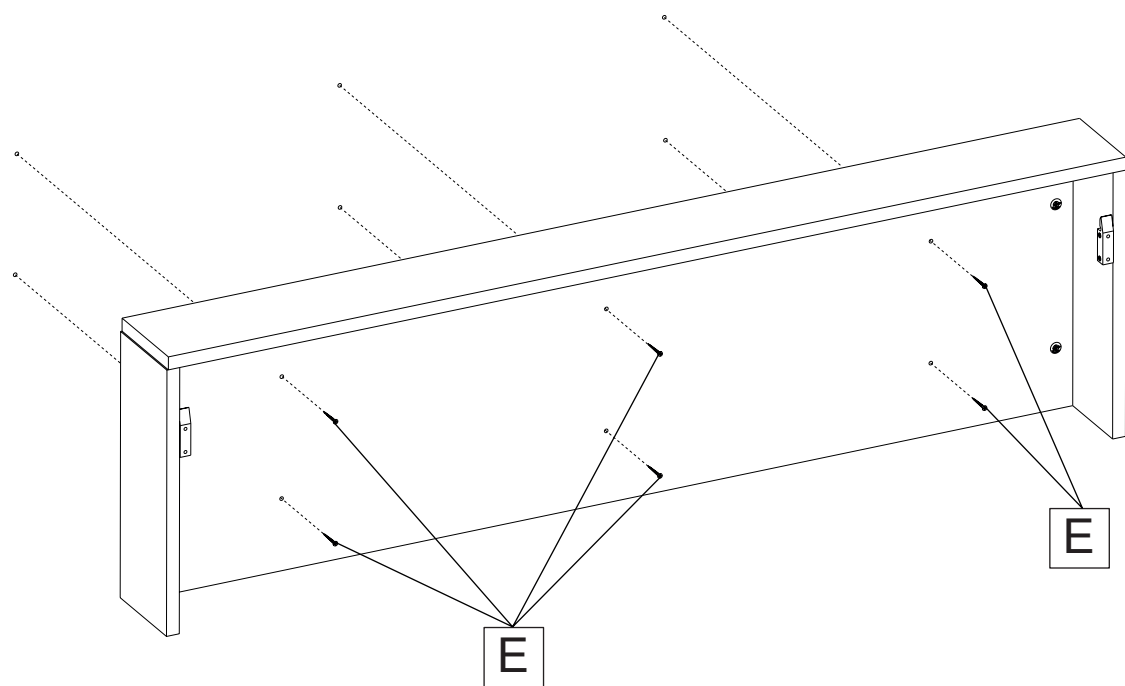
5



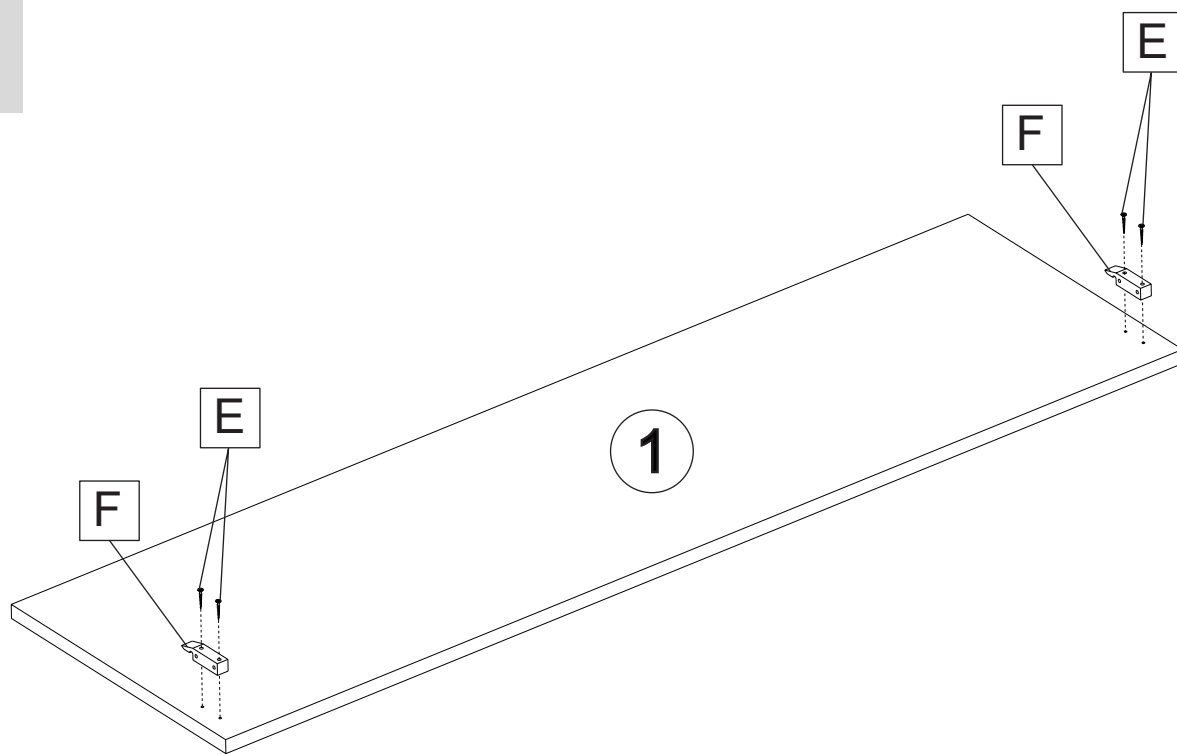
6



7



8



9

